



TECHNICAL MANUAL

**INVERTER WALL MOUNTED TYPE
RESIDENTIAL AIR-CONDITIONERS**
(Split system, air to air heat pump type)

SRK20ZSPR-S

25ZSPR-S

35ZSPR-S

45ZSPR-S

63ZSPR-S

71ZSPR-S

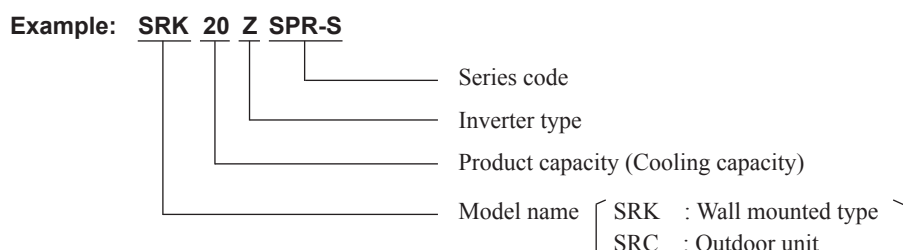
80ZSPR-S

CONTENTS

1. SPECIFICATIONS	3
2. EXTERIOR DIMENSIONS	10
(1) Indoor units	10
(2) Outdoor units	13
(3) Remote control	19
3. ELECTRICAL WIRING	22
(1) Indoor units	22
(2) Outdoor units	25
4. NOISE LEVEL	28
5. PIPING SYSTEM	35
6. RANGE OF USAGE & LIMITATIONS	38
7. CAPACITY TABLES	40
8. APPLICATION DATA	43
(1) Models SRK20ZSPR-S,25ZSPR-S,35ZSPR-S,45ZSPR-S	43
(2) Models SRK63ZSPR-S,71ZSPR-S,80ZSPR-S	51
9. OUTLINE OF OPERATION CONTROL BY MICROCOMPUTER	63
(A) Models SRK20ZSPR-S,25ZSPR-S,35ZSPR-S,45ZSPR-S	63
(1) Operation control function by wireless remote control	63
(2) Unit ON/OFF button	64
(3) Auto restart function	64
(4) Custom cord switching procedure	64
(5) High power operation	65
(6) Economy operation	65
(7) Flap control	65
(8) Timer operation	66
(9) Outline of heating operation	66
(10) Outline of cooling operation	68
(11) Outline of dry (dehumidifying) operation	68
(12) Outline of automatic operation	69
(13) Protection control function	69
(B) Models SRK63ZSPR-S,71ZSPR-S,80ZSPR-S	76
(1) Operation control function by wireless remote control	76
(2) Unit ON/OFF button	77
(3) Auto restart function	77
(4) Installing two air-conditioners in the same room	77
(5) Selection of the annual cooling function	78

(6) High power operation	78
(7) Economy operation	78
(8) Flap and louver control	79
(9) 3D auto operation	80
(10) Timer operation	81
(11) Silent mode	81
(12) Night setback	81
(13) Installation location setting	82
(14) Outline of heating operation	82
(15) Outline of cooling operation	84
(16) Outline of dry (dehumidifying) operation	84
(17) Outline of automatic operation	85
(18) Protection control function	85
10. MAINTENANCE DATA	93
(1) Cautions	93
(2) Items to check before troubleshooting	93
(3) Troubleshooting procedure (If the air-conditioner does not run at all)	93
(4) Troubleshooting procedure (If the air-conditioner runs)	94
(5) Self-diagnosis table	95
(6) Service mode (Trouble mode access function)	97
(7) Inspection procedures corresponding to detail of trouble	107
(8) Phenomenon observed after shortcircuit, wire breakage on sensor	112
(9) Checking the indoor electrical equipment	112
(10) How to make sure of wireless remote control	114
(11) Inspection procedure for blown fuse on the indoor and outdoor PCB	115
(12) Outdoor unit inspection points	116
11. OPTION PARTS	120
(1) Wired remote control (RC-E5)	120
(2) Interface kit (SC-BIKN-E)	126
(3) Superlink E board (SC-ADNA-E)	130

■ How to read the model name



1. SPECIFICATIONS

Item		Model	SRK20ZSPR-S			
			Indoor unit SRK20ZSPR-S	Outdoor unit SRC20ZSPR-S		
Power source			1 Phase, 220 - 240V, 50Hz / 220V, 60Hz			
Operation data	Nominal cooling capacity (range)	kW	2.0 (0.9 (Min.) - 2.8 (Max.))			
	Nominal heating capacity (range)	kW	2.7 (0.8 (Min.) - 3.9 (Max.))			
	Power consumption	Cooling	kW	0.545 (0.25 - 1.01)		
		Heating		0.710 (0.20 - 1.43)		
	Max power consumption		1.61			
	Running current	Cooling	A	3.1 / 3.0 / 2.9 (220/ 230/ 240 V)		
		Heating		3.7 / 3.5 / 3.4 (220/ 230/ 240 V)		
	Inrush current, max current			3.7 / 3.5 / 3.4 (220/ 230/ 240 V)	Max. 9	
	Power factor	Cooling	%	79		
		Heating		88		
	EER	Cooling		3.67		
	COP	Heating		3.80		
	Sound power level	Cooling	dB(A)	59		
Heating		55				
Sound pressure level	Cooling	dB(A)	Hi: 45 Me: 34 Lo: 23			
	Heating		Hi: 43 Me: 34 Lo: 26			
Silent mode sound pressure level			—			
Exterior dimensions (Height x Width x Depth)	mm		262 x 769 x 210	540 x 645(+57) x 275		
Exterior appearance (Munsell color)			Fine snow (8.0Y 9.3/0.1) near equivalent	Stucco white (4.2Y 7.5/1.1) near equivalent		
Net weight	kg		6.9	25		
Compressor type & Q'ty			—	RM-B5077MDE5(Rotary type) x 1		
Compressor motor (Starting method)	kW		—	0.75 (Inverter driven)		
Refrigerant oil (Amount, type)	ℓ		—	0.3 (DIAMOND FREEZE MA68)		
Refrigerant (Type, amount, pre-charge length)	kg		R410A 0.655 in outdoor unit (incl. the amount for the piping of 10m)			
Heat exchanger			Louver fins & inner grooved tubing	M fins & inner grooved tubing		
Refrigerant control			Capillary tubes + Electronic expansion valve			
Fan type & Q'ty			Tangential fan x 1	Propeller fan x 1		
Fan motor (Stating method)	W		23 x1 (Direct drive)	24 x1 (Direct drive)		
Air flow	Cooling	m ³ /min	Hi: 10.1 Me: 7.3 Lo: 4.2			
	Heating		Hi: 9.5 Me: 7.3 Lo: 5.2			
Available external static pressure	Pa		0	0		
Outside air intake			Not possible	—		
Air filter, Quality / Quantity			Polypropylene net (washable)	—		
Shock & vibration absorber			Rubber sleeve (for fan motor)	Rubber sleeve (for fan motor & compressor)		
Electric heater			—	—		
Operation control	Remote control		Wireless remote control			
	Room temperature control		Microcomputer thermostat			
	Operation display		RUN: Green , TIMER: Yellow			
Safety equipments			Compressor overheat protection, Overcurrent protection, Frost protection, Serial signal error protection, Indoor fan motor error protection, Heating overload protection(High pressure control), Cooling overload protection			
Installation data	Refrigerant piping size (O.D)	mm	Liquid line: $\phi 6.35$ (1/4")	Gas line: $\phi 9.52$ (3/8")		
	Connecting method		Flare connection			
	Attached length of piping	m	Liquid line : 0.39 / Gas line : 0.32	—		
	Insulation for piping		Necessary (Both sides), independent			
	Refrigerant line (one way) length	m	Max.15			
	Vertical height diff. between O.U. and I.U	m	Max.10 (Outdoor unit is higher) / Max.10 (Outdoor unit is lower)			
Drain hose			Hose connectable (VP 16)	Holes $\phi 20$ x 2 pcs		
Drain pump, max lift height	mm		—	—		
Recommended breaker size	A		16			
L.R.A. (Locked rotor ampere)	A		3.7 / 3.5 / 3.4 (220/ 230/ 240 V)			
Interconnecting wires	Size x Core number		1.5mm ² x 4 cores (Including earth cable) / Terminal block (Screw fixing type)			
IP number			IPX0	IPX4		
Standard accessories			Mounting kit			
Option parts			—			
Notes (1) The data are measured at the following conditions			The pipe length is 5.0m.			
Operation	Item	Indoor air temperature		Outdoor air temperature		Standards
		DB	WB	DB	WB	
	Cooling	27°C	19°C	35°C	24°C	
Heating	20°C	—	7°C	6°C		
(2) This air-conditioner is manufactured and tested in conformity with the ISO.						
(3) Sound level indicates the value in an anechoic chamber. During operation these values are somewhat higher due to ambient conditions.						
(4) Select the breaker size according to the own national standard.						
(5) The refrigerant quantity to be charged includes the refrigerant in 10 m connecting piping. (Purging is not required even for the short piping.)						
If the piping length is longer, when it is 10 to 15 m , add 20 g refrigerant per meter.						

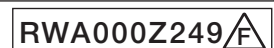
RWA000Z249/A

Item		Model	SRK25ZSPR-S		
			Indoor unit SRK25ZSPR-S	Outdoor unit SRC25ZSPR-S	
Power source			1 Phase, 220 - 240V, 50Hz / 220V, 60Hz		
Operation data	Nominal cooling capacity (range)		kW		
	Nominal heating capacity (range)		kW		
	Power consumption	Cooling	0.780 (0.25 - 1.01)		
		Heating	0.755 (0.20 - 1.43)		
	Max power consumption		1.65		
	Running current	Cooling	3.9 / 3.8 / 3.6 (220 / 230 / 240 V)		
		Heating	3.8 / 3.7 / 3.5 (220 / 230 / 240 V)		
	Inrush current, max current		3.9 / 3.8 / 3.6 (220 / 230 / 240 V) Max. 9		
	Power factor	Cooling	90		
		Heating	89		
	EER	Cooling	3.21		
	COP	Heating	3.71		
	Sound power level	Cooling	59	60	
		Heating	58	59	
Sound pressure level	Cooling	Hi: 45 Me: 34 Lo: 23	47		
	Heating	Hi: 43 Me: 34 Lo: 26	45		
Silent mode sound pressure level		-		-	
Exterior dimensions (Height x Width x Depth)		mm	262 x 769 x 210	540 x 645(+57) x 275	
Exterior appearance (Munsell color)			Fine snow (8.0Y 9.3/0.1) near equivalent	Stucco white (4.2Y 7.5/1.1) near equivalent	
Net weight		kg	6.9	25	
Compressor type & Q'ty			-	RM-B5077MDE5(Rotary type) x 1	
Compressor motor (Starting method)		kW	-	0.75 (Inverter driven)	
Refrigerant oil (Amount, type)		ℓ	-	0.3 (DIAMOND FREEZE MA68)	
Refrigerant (Type, amount, pre-charge length)		kg	R410A 0.655 in outdoor unit (incl. the amount for the piping of 10m)		
Heat exchanger			Louver fins & inner grooved tubing	M fins & inner grooved tubing	
Refrigerant control			Capillary tubes + Electronic expansion valve		
Fan type & Q'ty			Tangential fan x 1	Propeller fan x 1	
Fan motor (Stating method)		W	30 x1 (Direct drive)	24 x1 (Direct drive)	
Air flow	Cooling	m³/min	Hi: 10.1 Me: 7.3 Lo: 4.2	26.0	
	Heating		Hi: 9.5 Me: 7.3 Lo: 5.2	19.7	
Available external static pressure		Pa	0	0	
Outside air intake			Not possible		
Air filter, Quality / Quantity			Polypropylene net (washable) x 1		
Shock & vibration absorber			Rubber sleeve (for fan motor)	Rubber sleeve (for fan motor & compressor)	
Electric heater			-		
Operation control	Remote control		Wireless remote control		
	Room temperature control		Microcomputer thermostat		
	Operation display		RUN: Green, TIMER: Yellow		
Safety equipments			Compressor overheat protection, Overcurrent protection, Frost protection, Serial signal error protection, Indoor fan motor error protection, Heating overload protection (High pressure control), Cooling overload protection		
Installation data	Refrigerant piping size (O.D)		mm		
	Connecting method		Liquid line : φ 6.35 (1/4") Gas line : φ 9.52 (3/8")		
	Attached length of piping		m		
	Insulation for piping		Necessary (Both sides), independent		
	Refrigerant line (one way) length		m		
	Vertical height diff. between O.U. and I.U.		m		
Drain hose			Hose connectable (VP 16)	Holes φ 20 x 2 pcs	
Drain pump, max lift height		mm	-		
Recommended breaker size		A	16		
L.R.A. (Locked rotor ampere)		A	3.9 / 3.8 / 3.6 (220 / 230 / 240 V)		
Interconnecting wires		Size x Core number	1.5mm² x 4 cores (Including earth cable) / Terminal block (Screw fixing type)		
IP number			IPX0	IPX4	
Standard accessories			Mounting kit		
Option parts			-		

Notes (1) The data are measured at the following conditions. The pipe length is 5.0m.

operation \ item	Indoor air temperature		Outdoor air temperature		Standards
	DB	WB	DB	WB	
Cooling	27°C	19°C	35°C	24°C	ISO5151-T1
Heating	20°C	-	7°C	6°C	

- (2) This air-conditioner is manufactured and tested in conformity with the ISO.
- (3) Sound level indicates the value in an anechoic chamber. During operation these values are somewhat higher due to ambient conditions.
- (4) Select the breaker size according to the own national standard.
- (5) The refrigerant quantity to be charged includes the refrigerant in 10 m connecting piping. (purging is not required even for the short piping.)
If the piping length is longer, when it is 10 to 15 m, add 20 g refrigerant per meter.



Item		Model	SRK35ZSPR-S		
			Indoor unit SRK35ZSPR-S	Outdoor unit SRC35ZSPR-S	
Power source			1 Phase, 220 - 240V, 50Hz / 220V, 60Hz		
Operation data	Nominal cooling capacity (range)		kW		
	Nominal heating capacity (range)		kW		
	Power consumption	Cooling	0.995 (0.23 - 1.32)		
		Heating	0.995 (0.19 - 1.31)		
	Max power consumption		1.65		
	Running current	Cooling	4.9 / 4.7 / 4.5 (220 / 230 / 240 V)		
		Heating	4.9 / 4.7 / 4.5 (220 / 230 / 240 V)		
	Inrush current, max current		4.9 / 4.7 / 4.5 (220 / 230 / 240 V) Max. 9		
	Power factor	Cooling	93		
		Heating	93		
	EER	Cooling	3.22		
	COP	Heating	3.62		
	Sound power level	Cooling	60	60	
		Heating	58	60	
Sound pressure level	Cooling	Hi: 47 Me: 36 Lo: 23	49		
	Heating	Hi: 44 Me: 36 Lo: 28	48		
Silent mode sound pressure level		-		-	
Exterior dimensions (Height x Width x Depth)		mm	262 x 769 x 210	540 x 645(+57) x 275	
Exterior appearance (Munsell color)			Fine snow (8.0Y 9.3/0.1) near equivalent	Stucco white (4.2Y 7.5/1.1) near equivalent	
Net weight		kg	7.2	27	
Compressor type & Q'ty			-	RM-B5077MDE5(Rotary type) x 1	
Compressor motor (Starting method)		kW	-	0.90 (Inverter driven)	
Refrigerant oil (Amount, type)		ℓ	-	0.3 (DIAMOND FREEZE MA68)	
Refrigerant (Type, amount, pre-charge length)		kg	R410A 0.81 in outdoor unit (incl. the amount for the piping of 15m)		
Heat exchanger			Louver fins & inner grooved tubing	M fins & inner grooved tubing	
Refrigerant control			Capillary tubes + Electronic expansion valve		
Fan type & Q'ty			Tangential fan x 1	Propeller fan x 1	
Fan motor (Stating method)		W	30 x1 (Direct drive)	24 x1 (Direct drive)	
Air flow	Cooling	m³/min	Hi: 9.5 Me: 6.8 Lo: 4.2	25.4	
	Heating		Hi: 9.6 Me: 7.4 Lo: 5.5	20.5	
Available external static pressure		Pa	0	0	
Outside air intake			Not possible		
Air filter, Quality / Quantity			Polypropylene net (washable) x 1		
Shock & vibration absorber			Rubber sleeve (for fan motor)	Rubber sleeve (for fan motor & compressor)	
Electric heater			-		
Operation control	Remote control		Wireless remote control		
	Room temperature control		Microcomputer thermostat		
	Operation display		RUN: Green, TIMER: Yellow		
Safety equipments			Compressor overheat protection, Overcurrent protection, Frost protection, Serial signal error protection, Indoor fan motor error protection, Heating overload protection (High pressure control), Cooling overload protection		
Installation data	Refrigerant piping size (O.D)		mm		
	Connecting method		Liquid line : ϕ 6.35 (1/4") Gas line : ϕ 9.52 (3/8")		
	Attached length of piping		m		
	Insulation for piping		Necessary (Both sides), independent		
	Refrigerant line (one way) length		m		
	Vertical height diff. between O.U. and I.U.		m		
Drain hose			Hose connectable (VP 16)	Holes ϕ 20 x 2 pcs	
Drain pump, max lift height		mm	-		
Recommended breaker size		A	16		
L.R.A. (Locked rotor ampere)		A	4.9 / 4.7 / 4.5 (220 / 230 / 240 V)		
Interconnecting wires		Size x Core number	1.5mm² x 4 cores (Including earth cable) / Terminal block (Screw fixing type)		
IP number			IPX0	IPX4	
Standard accessories			Mounting kit		
Option parts			-		

Notes (1) The data are measured at the following conditions.

The pipe length is 5.0m.

operation \ item	Indoor air temperature		Outdoor air temperature		Standards
	DB	WB	DB	WB	
Cooling	27°C	19°C	35°C	24°C	ISO5151-T1
Heating	20°C	-	7°C	6°C	

(2) This air-conditioner is manufactured and tested in conformity with the ISO.

(3) Sound level indicates the value in an anechoic chamber. During operation these values are somewhat higher due to ambient conditions.

(4) Select the breaker size according to the own national standard.

(5) The refrigerant quantity to be charged includes the refrigerant in 15 m connecting piping. (purging is not required even for the short piping.)

Item		Model	SRK45ZSPR-S		
			Indoor unit SRK45ZSPR-S	Outdoor unit SRC45ZSPR-S	
Power source			1 Phase, 220 - 240V, 50Hz / 220V, 60Hz		
Operation data	Nominal cooling capacity (range)	kW	4.5 (0.9 (Min.) - 4.8 (Max.))		
	Nominal heating capacity (range)	kW	5.0 (0.8 (Min.) - 5.8 (Max.))		
	Power consumption	Cooling	kW	1.495 (0.22-1.98)	
		Heating		1.385 (0.20-1.86)	
	Max power consumption			2.68	
	Running current	Cooling	A	7.0 / 6.7 / 6.4 (220 / 230 / 240 V)	
		Heating		6.5 / 6.2 / 6.0 (220 / 230 / 240 V)	
	Inrush current, max current			7.0 / 6.7 / 6.4 (220 / 230 / 240 V) Max.14	
	Power factor	Cooling	%	97	
		Heating		97	
	EER	Cooling		3.01	
	COP	Heating		3.61	
	Sound power level	Cooling	dB(A)	60	65
		Heating		64	65
Sound pressure level	Cooling		Hi : 46 Me : 40 Lo : 25	52	
	Heating		Hi : 48 Me : 43 Lo : 32	53	
Silent mode sound pressure level			-		
Exterior dimensions (Height x Width x Depth)		mm	262 x 769 x 210		
Exterior appearance (Munsell color)			Fine snow (8.0Y 9.3/0.1) near equivalent		
Net weight		kg	7.6		
Compressor type & Q'ty			-		
Compressor motor (Starting method)		kW	1.10 (Inverter driven)		
Refrigerant oil (Amount, type)		ℓ	-		
Refrigerant (Type, amount, pre-charge length)		kg	R410A 1.20 in outdoor unit (incl. the amount for the piping of 15m)		
Heat exchanger			Louver fins & inner grooved tubing		
Refrigerant control			Capillary tubes + Electronic expansion valve		
Fan type & Q'ty			Tangential fan x 1		
Fan motor (Stating method)		W	30 x1 (Direct drive)		
Air flow	Cooling	m³/min	Hi : 9.0 Me : 7.2 Lo : 3.8		
	Heating		Hi : 12.0 Me : 9.2 Lo : 6.2		
Available external static pressure		Pa	0		
Outside air intake			Not possible		
Air filter, Quality / Quantity			Polypropylene net (washable) x 1		
Shock & vibration absorber			Rubber sleeve (for fan motor)		
Electric heater			-		
Operation control	Remote control		Wireless remote control		
	Room temperature control		Microcomputer thermostat		
	Operation display		RUN: Green, TIMER: Yellow		
Safety equipments			Compressor overheat protection, Overcurrent protection, Frost protection, Serial signal error protection, Indoor fan motor error protection, Heating overload protection (High pressure control), Cooling overload protection		
Installation data	Refrigerant piping size (O.D)	mm	Liquid line : ϕ 6.35 (1/4") Gas line : ϕ 12.7 (1/2")		
	Connecting method		Flare connection		
	Attached length of piping	m	Liquid line : 0.39 / Gas line : 0.32		
	Insulation for piping		Necessary (Both sides), independent		
	Refrigerant line (one way) length	m	Max. 25		
	Vertical height diff. between O.U. and I.U.	m	Max. 15 (Outdoor unit is higher) / Max. 15 (Outdoor unit is lower)		
Drain hose			Hose connectable (VP 16)		
Drain pump, max lift height		mm	-		
Recommended breaker size		A	16		
L.R.A. (Locked rotor ampere)		A	7.0 / 6.7 / 6.4 (220 / 230 / 240 V)		
Interconnecting wires		Size x Core number	1.5mm² x 4 cores (Including earth cable) / Terminal block (Screw fixing type)		
IP number			IPX0		
Standard accessories			Mounting kit		
Option parts			-		

Notes (1) The data are measured at the following conditions. The pipe length is 5.0m.

operation \ item	Indoor air temperature		Outdoor air temperature		Standards
	DB	WB	DB	WB	
Cooling	27°C	19°C	35°C	24°C	ISO5151-T1
Heating	20°C	-	7°C	6°C	

- (2) This air-conditioner is manufactured and tested in conformity with the ISO.
- (3) Sound level indicates the value in an anechoic chamber. During operation these values are somewhat higher due to ambient conditions.
- (4) Select the breaker size according to the own national standard.
- (5) The refrigerant quantity to be charged includes the refrigerant in 15 m connecting piping. (purging is not required even for the short piping.)
If the piping length is longer, when it is 15 to 25 m, add 20 g refrigerant per meter.

Model			SRK63ZSPR-S			
Item			Indoor unit	SRK63ZSPR-S	Outdoor unit	SRC63ZSPR-S
Power source			1 Phase, 220 - 240V, 50Hz / 220V, 60Hz			
Operation data	Nominal cooling capacity (range)		kW			6.3 (1.2 (Min.) - 7.1 (Max.))
	Nominal heating capacity (range)		kW			7.1 (0.8 (Min.) - 9.0 (Max.))
	Heating capacity (H2)		kW			—
	Power consumption	Cooling	kW	1.85 (0.2 - 2.5)		
		Heating		1.74 (0.2 - 2.8)		
		Heating (H2)		—		
	Max power consumption		kW			2.9
	Running current	Cooling	A	8.5 / 8.1 / 7.8 (220/ 230/ 240 V)		
		Heating		8.0 / 7.6 / 7.3 (220/ 230/ 240 V)		
	Inrush current, max current		A			8.5 / 8.1 / 7.8 (220/ 230/ 240 V) Max. 14.5
	Power factor	Cooling	%	99		
		Heating		99		
	EER	Cooling		3.41		
	COP	Heating		4.08		
		Heating (H2)		—		
Sound power level	Cooling	dB(A)	58		67	
	Heating		58		66	
Sound pressure level	Cooling	dB(A)	Hi: 44 Me: 39 Lo: 35 ULo: 25		54	
	Heating		Hi: 44 Me: 38 Lo: 34 ULo: 28		54	
Silent mode sound pressure level			—			
Exterior dimensions (Height x Width x Depth)		mm	339 x 1197 x 262		640 x 800(+71) x 290	
Exterior appearance (Munsell color)			Fine snow (8.0Y 9.3/0.1) near equivalent		Stucco white (4.2Y 7.5/1.1) near equivalent	
Net weight		kg	15.5		45	
Compressor type & Q'ty			—		RMT5113MCE2 (Twin rotary type) x 1	
Compressor motor (Starting method)		kW	—		1.40 (Inverter driven)	
Refrigerant oil (Amount, type)		ℓ	—		0.45 (DIAMOND FREEZE MA68)	
Refrigerant (Type, amount, pre-charge length)		kg	R410A 1.55 in outdoor unit (incl. the amount for the piping of 15m)			
Heat exchanger			Louver fins & inner grooved tubing		M fins & inner grooved tubing	
Refrigerant control			Capillary tubes + Electronic expansion valve			
Fan type & Q'ty			Tangential fan x 1		Propeller fan x 1	
Fan motor (Starting method)		W	56 x1 (Direct drive)		34 x1 (Direct drive)	
Air flow	Cooling	m ³ /min	Hi: 20.5 Me: 18.1 Lo: 15.7 ULo: 10.4		41.5	
	Heating		Hi: 23.5 Me: 19.0 Lo: 16.5 ULo: 13.1		41.5	
Available external static pressure		Pa	0		0	
Outside air intake			Not possible			
Air filter, Quality / Quantity			Polypropylene net (washable) x 2		—	
Shock & vibration absorber			Rubber sleeve (for fan motor)		Rubber sleeve (for fan motor & compressor)	
Electric heater			—		—	
Operation control	Remote control		Wireless remote control			
	Room temperature control		Microcomputer thermostat			
	Operation display		RUN: Green , TIMER: Yellow , HI POWER: Green ,3D AUTO: Green Compressor overheat protection, Overcurrent protection, Frost protection, Serial signal error protection, Indoor fan motor error protection, Heating overload protection(High pressure control) , Cooling overload protection			
Safety equipments			Compressor overheat protection, Overcurrent protection, Frost protection, Serial signal error protection, Indoor fan motor error protection, Heating overload protection(High pressure control) , Cooling overload protection			
Installation data	Refrigerant piping size (O.D)		mm	Liquid line: φ6.35 (1/4") Gas line: φ12.7 (1/2")		
	Connecting method			Flare connection		
	Attached length of piping		m	Liquid line : 0.78 / Gas line : 0.71		
	Insulation for piping			Necessary (Both sides), independent		
	Refrigerant line (one way) length		m	Max.30		
	Vertical height diff. between O.U. and I.U.		m	Max.20 (Outdoor unit is higher) / Max.20 (Outdoor unit is lower)		
Drain hose			Hose connectable (VP 16)		Holes φ20 x 5 pcs	
Drain pump, max lift height		mm	—		—	
Recommended breaker size		A	16			
L.R.A. (Locked rotor ampere)		A	8.5 / 8.1 / 7.8 (220/ 230/ 240 V)			
Interconnecting wires		Size x Core number	1.5mm ² x 4 cores (Including earth cable) / Terminal block (Screw fixing type)			
IP number			IPX0		IPX4	
Standard accessories			Mounting kit, Clean filter (Allergen clear filter x 1, Photocatalytic washable deodorizing filter x 1)			
Option parts			Interface kit (SC-BIKN-E)			
Notes (1) The data are measured at the following conditions. The pipe length is 5.0m.						
Operation	Item	Indoor air temperature		Outdoor air temperature		Standards
		DB	WB	DB	WB	
	Cooling	27°C	19°C	35°C	24°C	
	Heating	20°C	—	7°C	6°C	
Heating (H2)	20°C	—	2°C	1°C	ISO5151-H2	
(2) This air-conditioner is manufactured and tested in conformity with the ISO.						
(3) Sound level indicates the value in an anechoic chamber. During operation these values are somewhat higher due to ambient conditions.						
(4) Select the breaker size according to the own national standard.						

Model		SRK71ZSPR-S				
Item		Indoor unit	SRK71ZSPR-S	Outdoor unit	SRC71ZSPR-S	
Power source		1 Phase, 220 - 240V, 50Hz / 220V, 60Hz				
Operation data	Nominal cooling capacity (range)	kW	7.1 (2.3 (Min.) - 7.7 (Max.))			
	Nominal heating capacity (range)	kW	8.0 (2.0 (Min.) - 10.0 (Max.))			
	Heating capacity (H2)	kW	-			
	Power consumption	Cooling	kW	2.05 (0.5 - 2.7)		
		Heating		2.06 (0.4 - 3.4)		
		Heating (H2)		-		
	Max power consumption		3.65			
	Running current	Cooling	A	9.5 / 9.1 / 8.7 (220/ 230/ 240 V)		
		Heating		9.6 / 9.1 / 8.8 (220/ 230/ 240 V)		
	Inrush current, max current		9.6 / 9.1 / 8.8 (220/ 230/ 240 V) Max. 17			
	Power factor	Cooling	%	98		
		Heating		98		
	EER	Cooling		3.46		
	COP	Heating		3.88		
		Heating (H2)		-		
Sound power level	Cooling	dB(A)	58		65	
	Heating		60		63	
Sound pressure level	Cooling	dB(A)	Hi: 44 Me: 41 Lo: 37 ULo: 25		53	
	Heating		Hi: 46 Me: 39 Lo: 35 ULo: 28		51	
Silent mode sound pressure level			Cooling:45 / Heating:41			
Exterior dimensions (Height x Width x Depth)	mm	339 x 1197 x 262		750 x 880(+88) x 340		
Exterior appearance (Munsell color)		Fine snow (8.0Y 9.3/0.1) near equivalent		Stucco white (4.2Y 7.5/1.1) near equivalent		
Net weight	kg	15.5		57		
Compressor type & Q'ty		-		RMT5118MDE2 (Twin rotary type) x 1		
Compressor motor (Starting method)	kW	-		1.40 (Inverter driven)		
Refrigerant oil (Amount, type)	ℓ	-		0.675 (DIAMOND FREEZE MA68)		
Refrigerant (Type, amount, pre-charge length)	kg	R410A 1.8 in outdoor unit (incl. the amount for the piping of 15m)				
Heat exchanger		Louver fins & inner grooved tubing		M fins & inner grooved tubing		
Refrigerant control		Capillary tubes + Electronic expansion valve				
Fan type & Q'ty		Tangential fan x 1		Propeller fan x 1		
Fan motor (Starting method)	W	56 x1 (Direct drive)		86 x1 (Direct drive)		
Air flow	Cooling	m ³ /min	Hi: 20.5 Me: 18.6 Lo: 16.2 ULo: 10.4		55	
	Heating		Hi: 25.5 Me: 19.8 Lo: 17.3 ULo: 13.3		43.5	
Available external static pressure	Pa	0		0		
Outside air intake		Not possible				
Air filter, Quality / Quantity		Polypropylene net (washable) x 2		-		
Shock & vibration absorber		Rubber sleeve (for fan motor)		Rubber sleeve (for fan motor & compressor)		
Electric heater		-		-		
Operation control	Remote control	Wireless remote control				
	Room temperature control	Microcomputer thermostat				
	Operation display	RUN: Green , TIMER: Yellow , HI POWER: Green ,3D AUTO: Green				
Safety equipments		Compressor overheat protection, Overcurrent protection, Frost protection, Serial signal error protection, Indoor fan motor error protection, Heating overload protection(High pressure control), Cooling overload protection				
Installation data	Refrigerant piping size (O.D)	mm	Liquid line: φ6.35 (1/4")		Gas line: φ15.88 (5/8")	
	Connecting method		Flare connection		Flare connection	
	Attached length of piping	m	Liquid line : 0.78 / Gas line : 0.72		-	
	Insulation for piping		Necessary (Both sides), independent			
	Refrigerant line (one way) length	m	Max.30			
	Vertical height diff. between O.U. and I.U.	m	Max.20 (Outdoor unit is higher) / Max.20 (Outdoor unit is lower)			
Drain hose		Hose connectable (VP 16)		Holes φ20 x 3 pcs		
Drain pump, max lift height	mm	-		-		
Recommended breaker size	A	20				
L.R.A. (Locked rotor ampere)	A	9.6 / 9.1 / 8.8 (220/ 230/ 240 V)				
Interconnecting wires	Size x Core number	1.5mm ² x 4 cores (Including earth cable) / Terminal block (Screw fixing type)				
IP number		IPX0		IPX4		
Standard accessories		Mounting kit, Clean filter (Allergen clear filter x 1, Photocatalytic washable deodorizing filter x 1)				
Option parts		Interface kit (SC-BIKN-E)				
Notes (1) The data are measured at the following conditions.		The pipe length is 5.0m.				
	Item	Indoor air temperature		Outdoor air temperature		
		DB	WB	DB	WB	
Operation						
	Cooling	27°C	19°C	35°C	24°C	
	Heating	20°C	-	7°C	6°C	
	Heating (H2)	20°C	-	2°C	1°C	
		Standards				
		ISO5151-T1				
		ISO5151-H1				
		ISO5151-H2				
(2) This air-conditioner is manufactured and tested in conformity with the ISO.						
(3) Sound level indicates the value in an anechoic chamber. During operation these values are somewhat higher due to ambient conditions.						
(4) Select the breaker size according to the own national standard.						

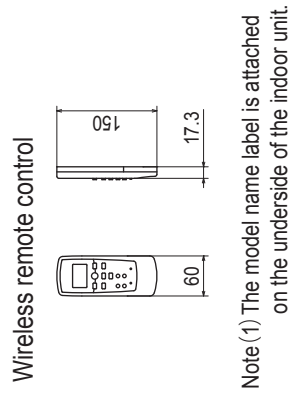
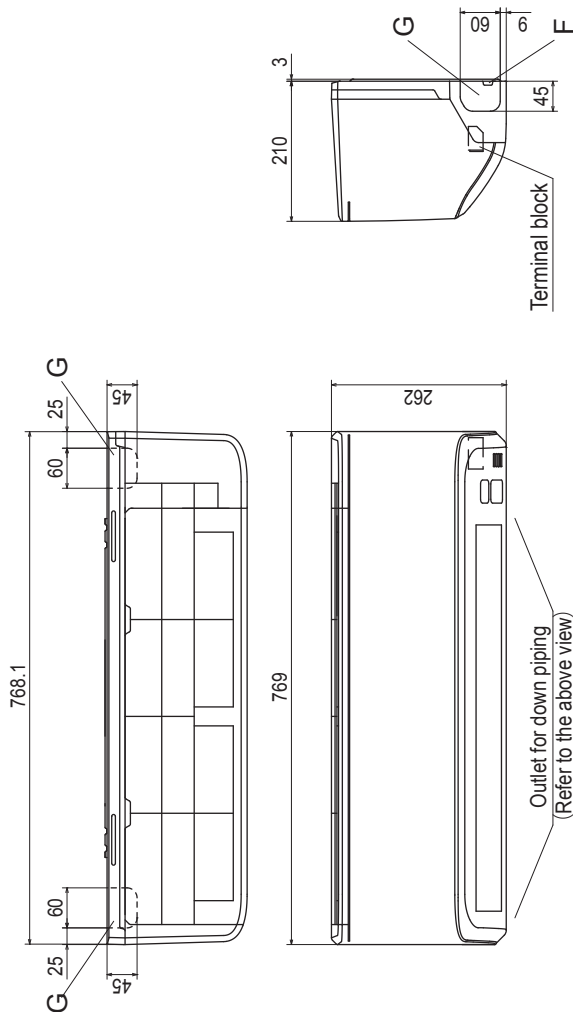
Model			SRK80ZSPR-S				
Item			Indoor unit	SRK80ZSPR-S	Outdoor unit	SRC80ZSPR-S	
Power source			1 Phase, 220 - 240V, 50Hz / 220V, 60Hz				
Operation data	Nominal cooling capacity (range)	kW	8.0 (2.3 (Min.) - 9.0 (Max.))				
	Nominal heating capacity (range)	kW	9.0 (2.1 (Min.) - 10.5 (Max.))				
	Heating capacity (H2)	kW	-				
	Power consumption	Cooling	kW	2.35 (0.5 - 3.2)			
		Heating		2.40 (0.4 - 3.5)			
		Heating (H2)		-			
	Max power consumption		3.65				
	Running current	Cooling	A	10.9 / 10.4 / 10.0 (220/ 230/ 240 V)			
		Heating		11.1 / 10.6 / 10.2 (220/ 230/ 240 V)			
	Inrush current, max current			11.1 / 10.6 / 10.2 (220/ 230/ 240 V)		Max. 17	
	Power factor	Cooling	%	98			
		Heating		98			
	EER	Cooling		3.40			
	COP	Heating		3.75			
		Heating (H2)		-			
Sound power level	Cooling	dB(A)	62		68		
	Heating		62		67		
Sound pressure level	Cooling	dB(A)	Hi: 47 Me: 44 Lo: 39 ULo: 26		56		
	Heating		Hi: 47 Me: 41 Lo: 36 ULo: 29		55		
Silent mode sound pressure level			-				
Exterior dimensions (Height x Width x Depth)	mm		339 x 1197 x 262		750 x 880(+88) x 340		
Exterior appearance (Munsell color)			Fine snow (8.0Y 9.3/0.1) near equivalent		Stucco white (4.2Y 7.5/1.1) near equivalent		
Net weight	kg		16.5		58.5		
Compressor type & Q'ty			-		RMT5118MDE2 (Twin rotary type) x 1		
Compressor motor (Starting method)	kW		-		1.40 (Inverter driven)		
Refrigerant oil (Amount, type)	ℓ		-		0.675 (DIAMOND FREEZE MA68)		
Refrigerant (Type, amount, pre-charge length)	kg		R410A 1.9 in outdoor unit (incl. the amount for the piping of 15m)				
Heat exchanger			Louver fins & inner grooved tubing		M fins & inner grooved tubing		
Refrigerant control			Capillary tubes + Electronic expansion valve				
Fan type & Q'ty			Tangential fan x 1		Propeller fan x 1		
Fan motor (Starting method)	W		56 x1 (Direct drive)		86 x1 (Direct drive)		
Air flow	Cooling	m ³ /min	Hi: 23.5 Me: 20.2 Lo: 17.5 ULo: 10.4		63		
	Heating		Hi: 26.5 Me: 21.3 Lo: 18.4 ULo: 13.5		49.5		
Available external static pressure	Pa		0		0		
Outside air intake			Not possible				
Air filter, Quality / Quantity			Polypropylene net (washable) x 2				
Shock & vibration absorber			Rubber sleeve (for fan motor)		Rubber sleeve (for fan motor & compressor)		
Electric heater			-				
Operation control	Remote control		Wireless remote control				
	Room temperature control		Microcomputer thermostat				
	Operation display		RUN: Green , TIMER: Yellow , HI POWER: Green ,3D AUTO: Green				
Safety equipments			Compressor overheat protection, Overcurrent protection, Frost protection, Serial signal error protection, Indoor fan motor error protection, Heating overload protection(High pressure control), Cooling overload protection				
Installation data	Refrigerant piping size (O.D)	mm	Liquid line: φ6.35 (1/4")		Gas line: φ15.88 (5/8")		
	Connecting method		Flare connection		Flare connection		
	Attached length of piping	m	Liquid line : 0.78 / Gas line : 0.72		-		
	Insulation for piping		Necessary (Both sides), independent				
	Refrigerant line (one way) length	m	Max.30				
	Vertical height diff. between O.U. and I.U.	m	Max.20 (Outdoor unit is higher) / Max.20 (Outdoor unit is lower)				
Drain hose			Hose connectable (VP 16)		Holes φ20 x 3 pcs		
Drain pump, max lift height	mm		-				
Recommended breaker size	A		20				
L.R.A. (Locked rotor ampere)	A		11.1 / 10.6 / 10.2 (220/ 230/ 240 V)				
Interconnecting wires	Size x Core number		1.5mm ² x 4 cores (Including earth cable) / Terminal block (Screw fixing type)				
IP number			IPX0		IPX4		
Standard accessories			Mounting kit, Clean filter (Allergen clear filter x 1, Photocatalytic washable deodorizing filter x 1)				
Option parts			Interface kit (SC-BIKN-E)				
Notes (1) The data are measured at the following conditions. The pipe length is 5.0m.							
	Item	Indoor air temperature		Outdoor air temperature		Standards	
Operation		DB	WB	DB	WB		
Cooling		27°C	19°C	35°C	24°C		
Heating		20°C	-	7°C	6°C		
Heating (H2)		20°C	-	2°C	1°C	ISO5151-H2	
(2) This air-conditioner is manufactured and tested in conformity with the ISO.							
(3) Sound level indicates the value in an anechoic chamber. During operation these values are somewhat higher due to ambient conditions.							
(4) Select the breaker size according to the own national standard.							

2. EXTERIOR DIMENSIONS

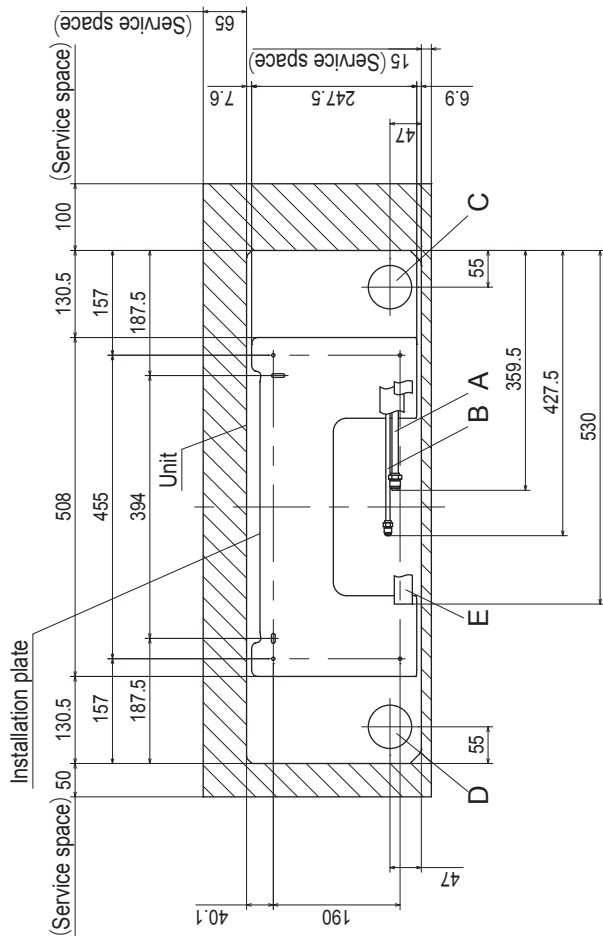
(1) Indoor units

Model SRK20ZSPR-S

Symbol	Content
A	Gas piping φ9.52 (3/8") (Flare)
B	Liquid piping φ6.35 (1/4") (Flare)
C	Hole on wall for right rear piping (φ65)
D	Hole on wall for left rear piping (φ65)
E	Drain hose VP16
F	Outlet for wiring
G	Outlet for piping (on both side)



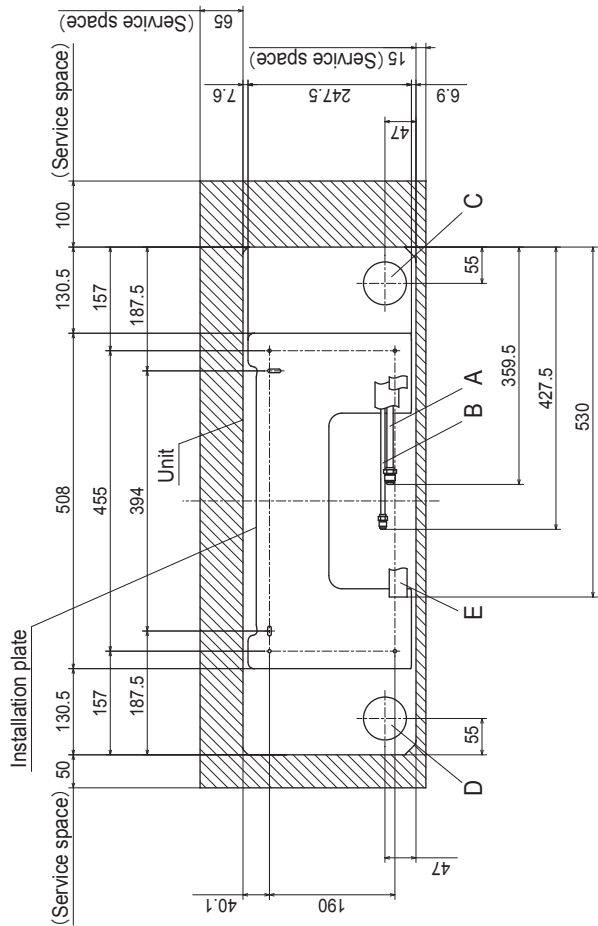
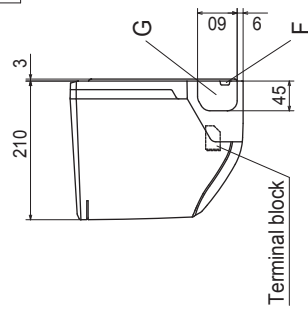
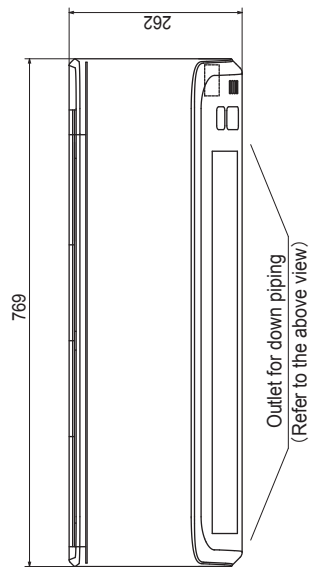
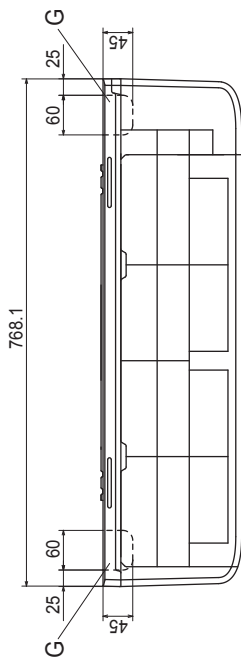
Unit:mm



Space for installation and service when viewing from the front

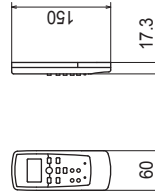
Models SRK25ZSPR-S, 35ZSPR-S, 45ZSPR-S

Symbol	Content
A	Gas piping Model 25.35 ϕ 9.52 (3/8") (Flare) Model 45 ϕ 12.7 (1/2") (Flare)
B	Liquid piping ϕ 6.35 (1/4") (Flare)
C	Hole on wall for right rear piping (ϕ 65)
D	Hole on wall for left rear piping (ϕ 65)
E	Drain hose VP16
F	Outlet for wiring
G	Outlet for piping (on both side)



Space for installation and service when viewing from the front

Wireless remote control



Note (1) The model name label is attached on the underside of the indoor unit.

Unit:mm

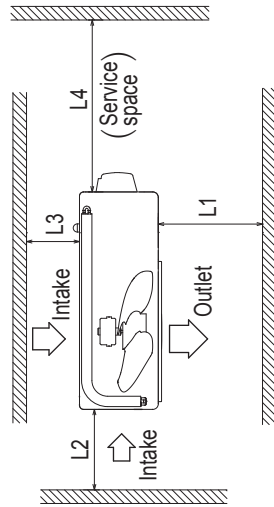
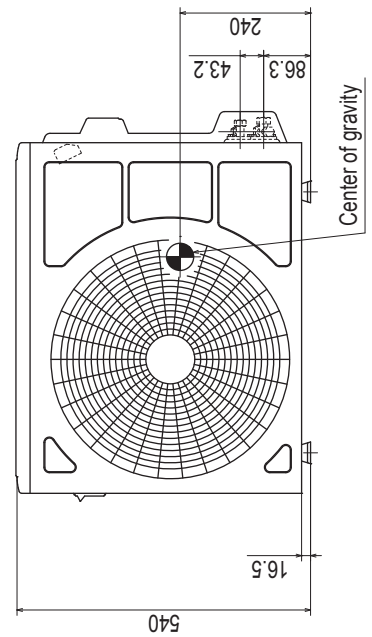
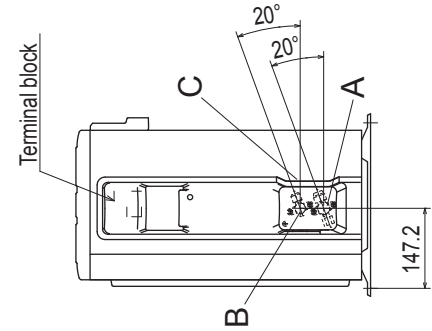
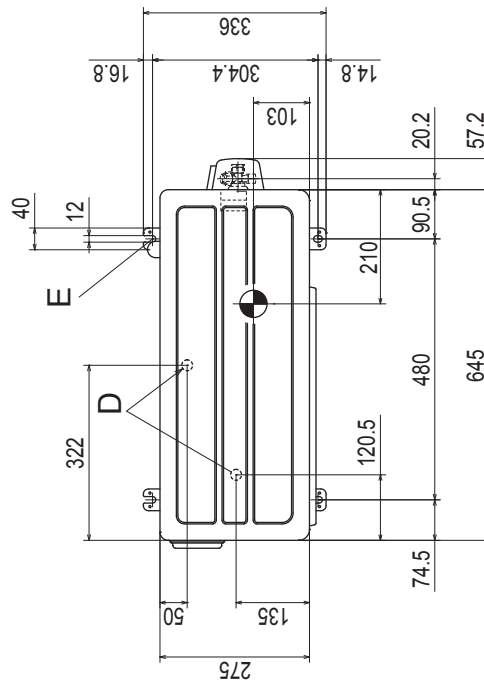
(2) Outdoor units

Model SRC20ZSPR-S

Notes

- (1) It must not be surrounded by walls on the four sides.
- (2) The unit must be fixed with anchor bolts. An anchor bolt must not protrude more than 15mm.
- (3) Where the unit is subject to strong winds, lay it in such a direction that the blower outlet faces perpendicularly to the dominant wind direction.
- (4) Leave 1m or more space above the unit.
- (5) A wall in front of the blower outlet must not exceed the units height.
- (6) The model name label is attached on the right side of the unit.

Symbol	Content
A	Service valve connection (gas side) ϕ 9.52 (3/8") (Flare)
B	Service valve connection (liquid side) ϕ 6.35 (1/4") (Flare)
C	Pipe/cable draw-out hole
D	Drain discharge hole ϕ 20×2places
E	Anchor bolt hole M10×4places



Minimum installation space

Examples of installation	I	II	III	IV
Dimensions				
L1	Open	280	280	180
L2	100	100	Open	Open
L3	100	80	80	80
L4	250	Open	250	Open

Unit:mm

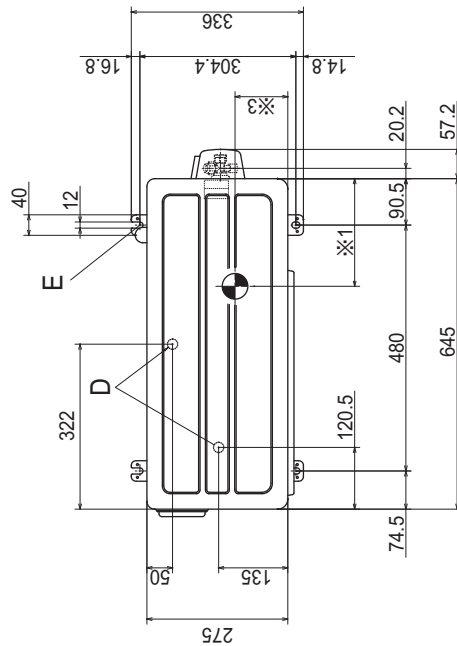
RCW000Z004

Models SRC25ZSPR-S, 35ZSPR-S

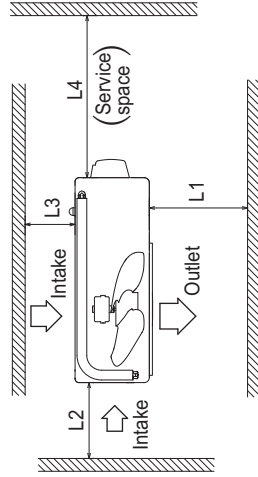
Symbol	Content
A	Service valve connection (gas side) ϕ 9.52 (3/8") (Flare)
B	Service valve connection (liquid side) ϕ 6.35 (1/4") (Flare)
C	Pipe./cable draw-out hole
D	Drain discharge hole ϕ 20 x 2places
E	Anchor bolt hole M10 x 4places

Notes

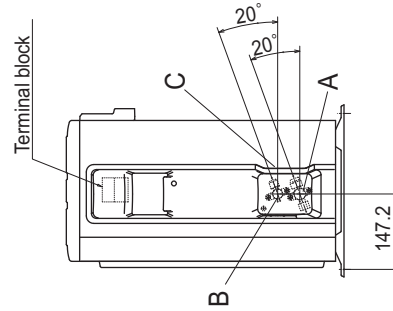
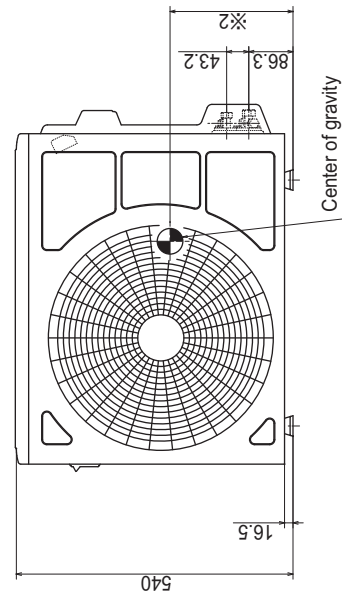
- (1) It must not be surrounded by walls on the four sides.
- (2) The unit must be fixed with anchor bolts. An anchor bolt must not protrude more than 15mm.
- (3) Where the unit is subject to strong winds, lay it in such a direction that the blower outlet faces perpendicularly to the dominant wind direction.
- (4) Leave 1m or more space above the unit.
- (5) A wall in front of the blower outlet must not exceed the units height.
- (6) The model name label is attached on the right side of the unit.



Dimensions	※1	※2	※3
MODEL			
SRC25ZSPR-S	210	240	103
SRC35ZSPR-S	220	240	108

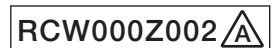


Minimum installation space



Examples of installation	I	II	III	IV
Dimensions				
L1	Open	280	280	180
L2	100	100	Open	Open
L3	100	80	80	80
L4	250	Open	250	Open

Unit:mmr

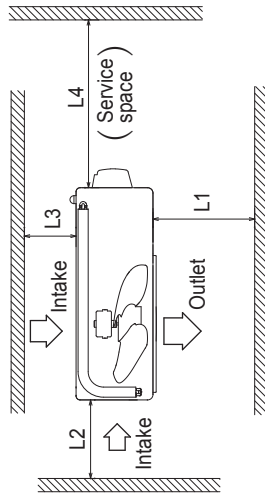
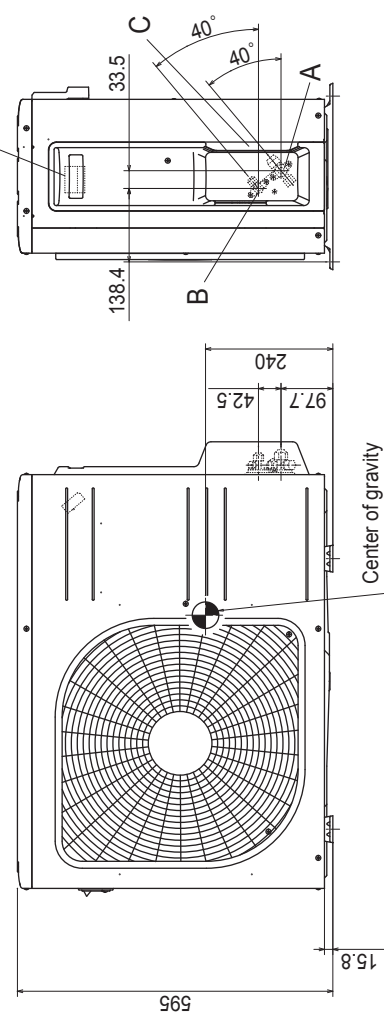
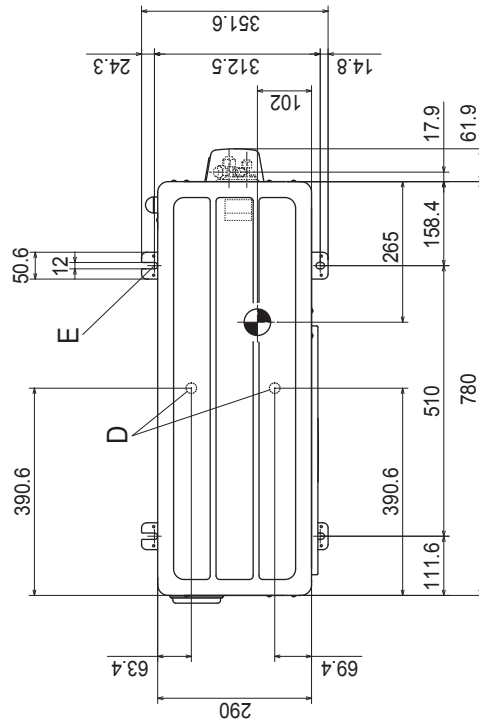


Model SRC45ZSPR-S

Notes

- (1) It must not be surrounded by walls on the four sides.
- (2) The unit must be fixed with anchor bolts. An anchor bolt must not protrude more than 15mm.
- (3) Where the unit is subject to strong winds, lay it in such a direction that the blower outlet faces perpendicularly to the dominant wind direction.
- (4) Leave 1m or more space above the unit.
- (5) A wall in front of the blower outlet must not exceed the units height.
- (6) The model name label is attached on the lower right corner of the front panel.

Symbol	Content
A	Service valve connection (gas side) ϕ 12.7 (1/2") (Flare)
B	Service valve connection (liquid side) ϕ 6.35 (1/4") (Flare)
C	Pipe/cable draw-out hole
D	Drain discharge hole
E	Anchor bolt hole



Minimum installation space

Examples of installation Dimensions	I	II	III	IV
L1	Open	280	280	180
L2	100	100	Open	Open
L3	100	80	80	80
L4	250	Open	250	Open

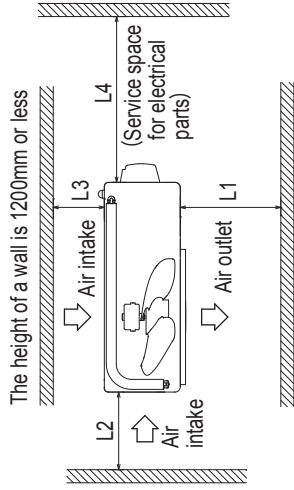
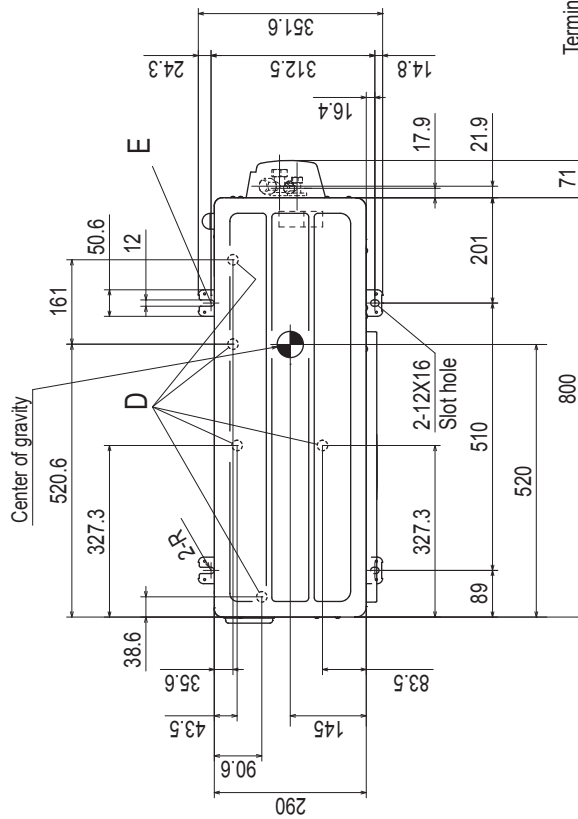
Unit:mm

Model SRC63ZSPR-S

Symbol	Content
A	Service valve connection (gas side) $\phi 12.7 (1/2")$ (Flare)
B	Service valve connection (liquid side) $\phi 6.35 (1/4")$ (Flare)
C	Pipe / cable draw-out hole
D	Drain discharge hole
E	Anchor bolt hole

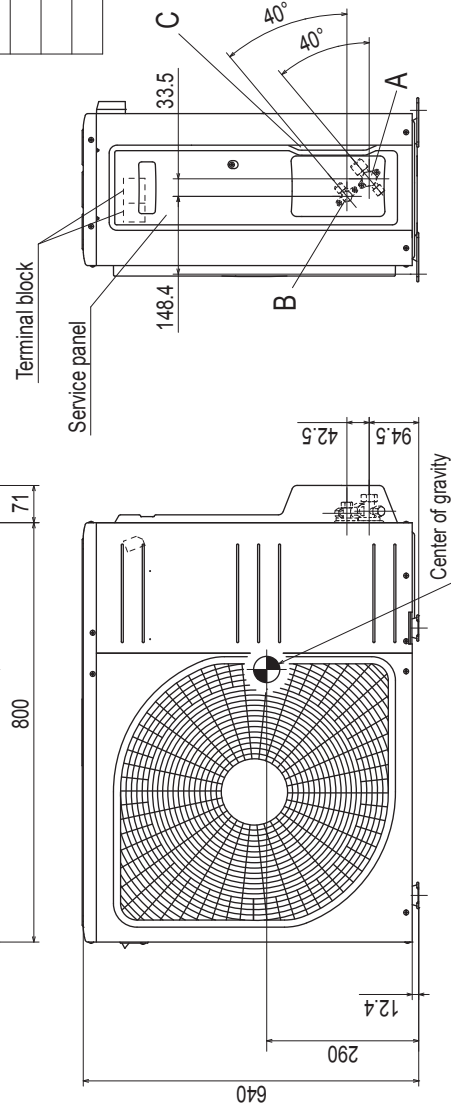
Notes

- (1) It must not be surrounded by walls on four sides.
- (2) The unit must be fixed with anchor bolts. An anchor bolt must not protrude more than 15mm.
- (3) Where the unit is subjected to strong winds, lay it in such a direction that the blower outlet face is perpendicular to the dominant wind direction.
- (4) Leave 1m or more space above the unit.
- (5) A wall in front of the blower outlet must not exceed the unit's height.
- (6) The model name label is attached on the service panel.



Minimum installation space

Examples of installation Dimensions	I		II		III		VI	
	L1	Open	100	280	75	280	Open	180
L2	100	100	80	80	80	80	80	80
L3	100	100	250	Open	250	Open	250	Open
L4	250	Open	Open	Open	Open	Open	Open	Open



Unit:mm

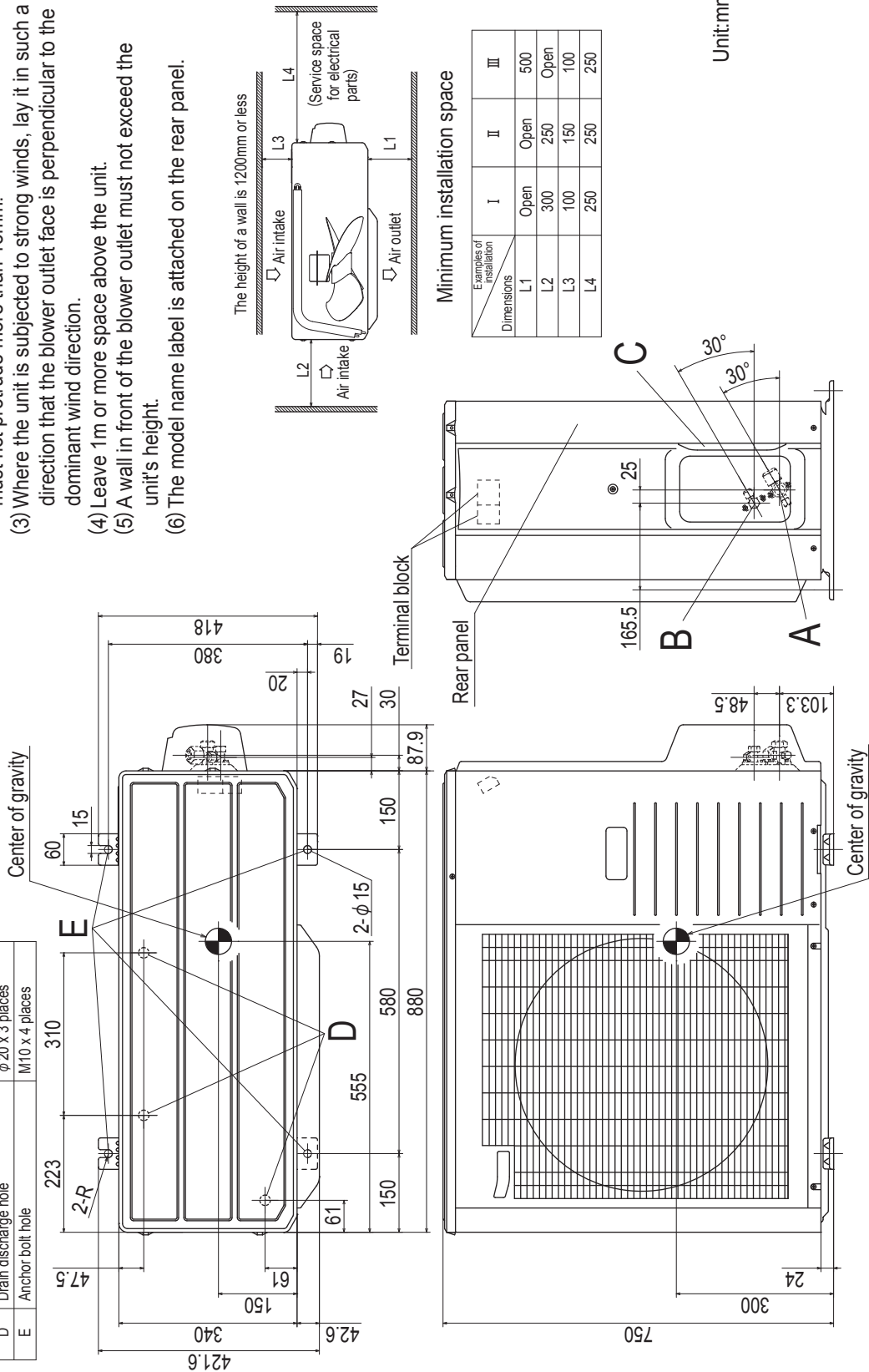
RCT000Z016

Model SRC71ZSPR-S

Symbol	Content
A	Service valve connection (gas side) $\phi 15.88 (5/8")$ (Flare)
B	Service valve connection (liquid side) $\phi 6.35 (1/4")$ (Flare)
C	Pipe / cable draw-out hole
D	Drain discharge hole $\phi 20 \times 3$ places
E	Anchor bolt hole M10 x 4 places

Notes

- (1) It must not be surrounded by walls on four sides.
- (2) The unit must be fixed with anchor bolts. An anchor bolt must not protrude more than 15mm.
- (3) Where the unit is subjected to strong winds, lay it in such a direction that the blower outlet face is perpendicular to the dominant wind direction.
- (4) Leave 1m or more space above the unit.
- (5) A wall in front of the blower outlet must not exceed the unit's height.
- (6) The model name label is attached on the rear panel.

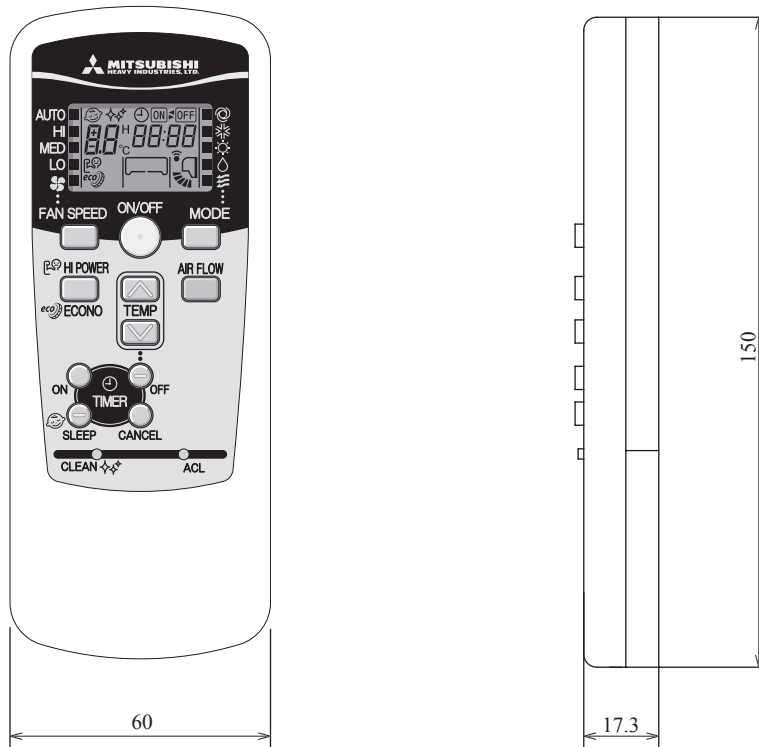


Unit:mm

(3) Remote control

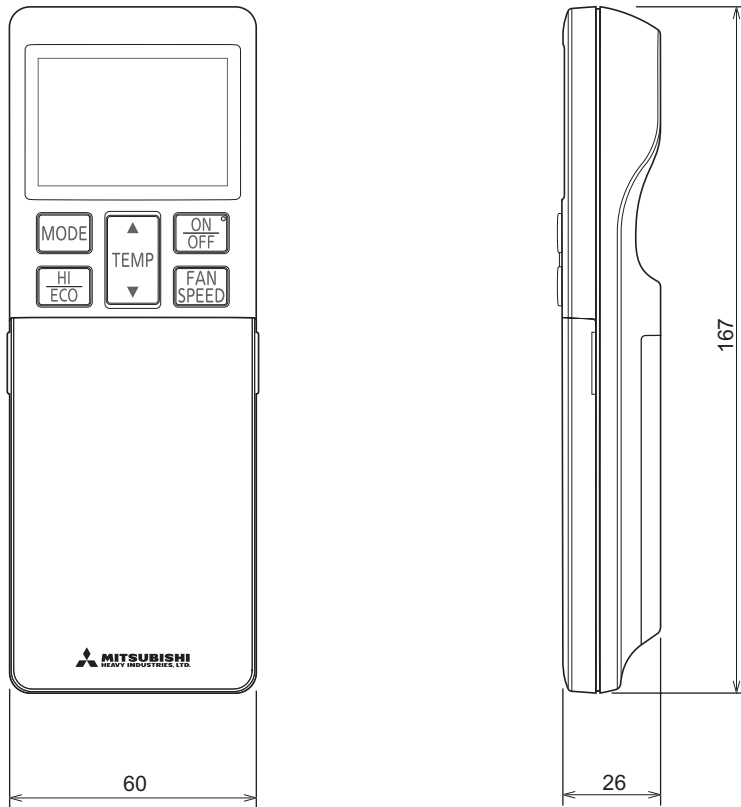
(a) Wireless remote control (for SRK20, 25, 35, 45ZSPR-S)

Unit: mm



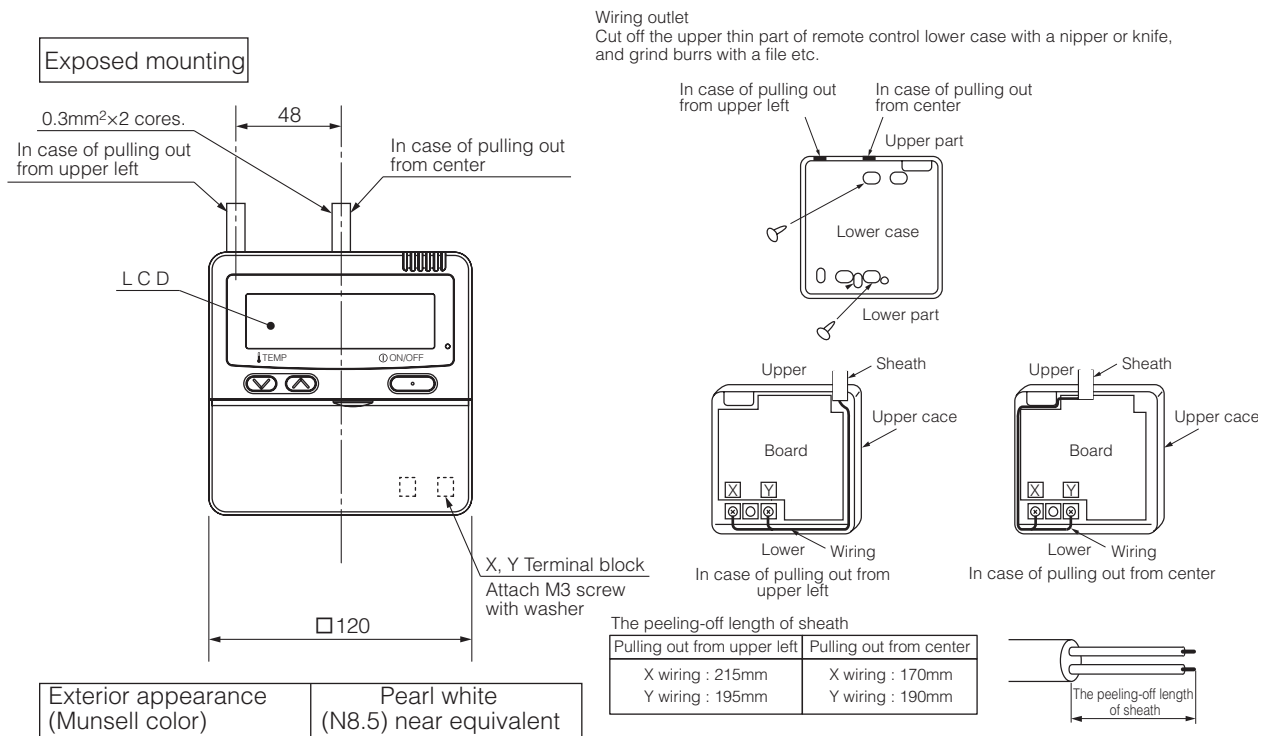
(b) Wireless remote control (for SRK63, 71, 80ZSPR-S)

Unit : mm



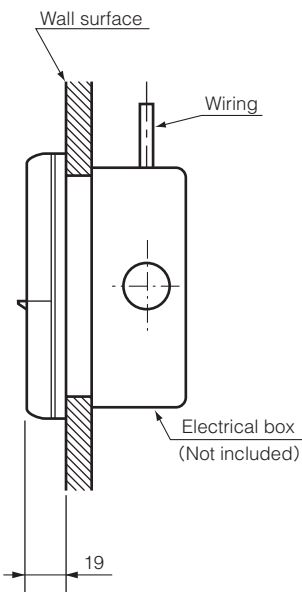
(c) Wired remote control (option parts)

Interface kit (SC-BIKN-E) is required to use the wired remote control.

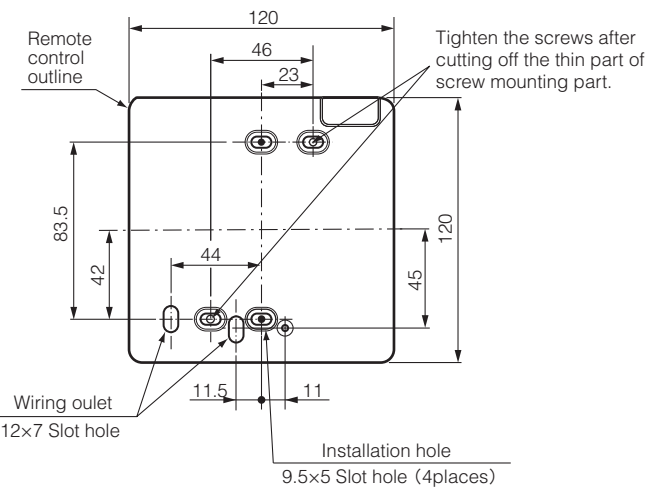


Exterior appearance (Munsell color)	Pearl white (N8.5) near equivalent
-------------------------------------	------------------------------------

Embedded mounting



Remote control installation dimensions



(1) Installation screw for remote control
M4 screw (2 pieces)

Unit:mm

Wiring specifications

(1) If the prolongation is over 100m, change to the size below.
But, wiring in the remote control case should be under 0.5mm². Change the wire size outside of the case according to wire connecting. Waterproof treatment is necessary at the wire connecting section. Be careful about contact failure.

Length	Wiring thickness
100 to 200m	0.5mm ² ×2 cores
Under 300m	0.75mm ² ×2 cores
Under 400m	1.25mm ² ×2 cores
Under 600m	2.0mm ² ×2 cores

PJZ000Z295

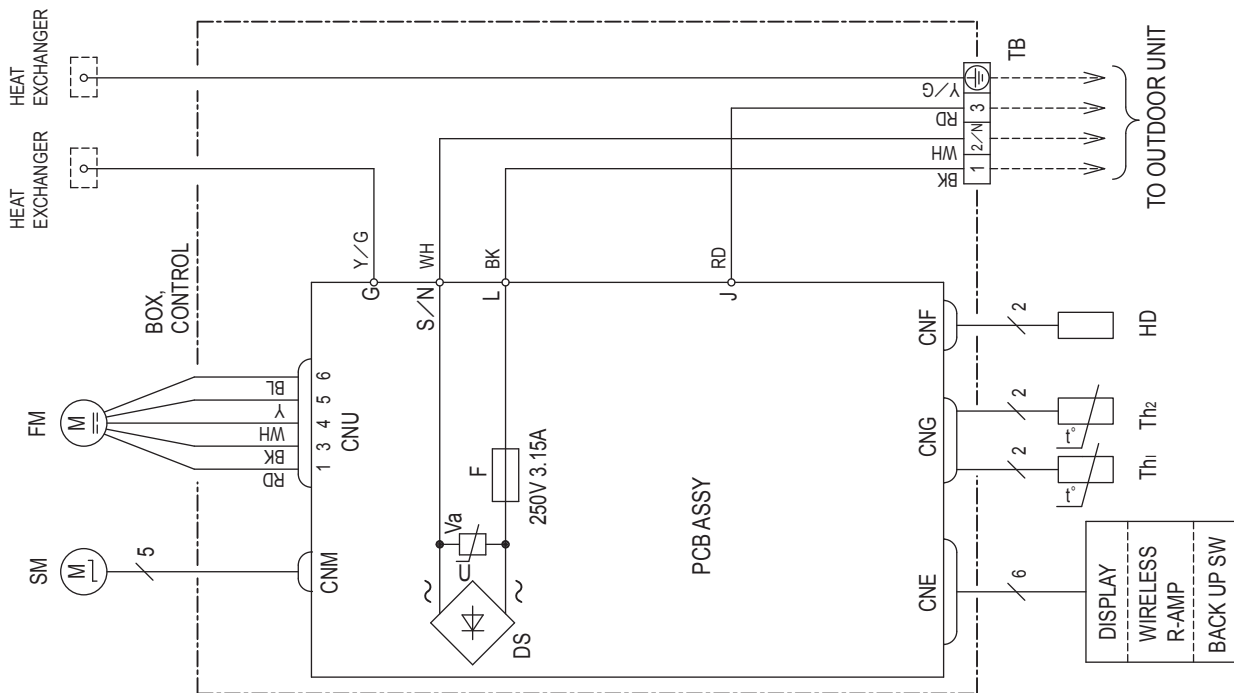
3. ELECTRICAL WIRING

(1) Indoor units

Model SRK20ZSPR-S

Item	Description
CNE	Connector
CNF	
CNG	
CNM	
CNU	
FM	Fan motor
SM	Flap motor
HD	Humidity sensor
Th ₁	Room temp. sensor
Th ₂	Heat exchanger sensor
DS	Diode stack
F	Fuse
TB	Terminal block
Va	Variistor

Mark	Color
BK	Black
BL	Blue
RD	Red
WH	White
Y	Yellow
Y/G	Yellow/Green

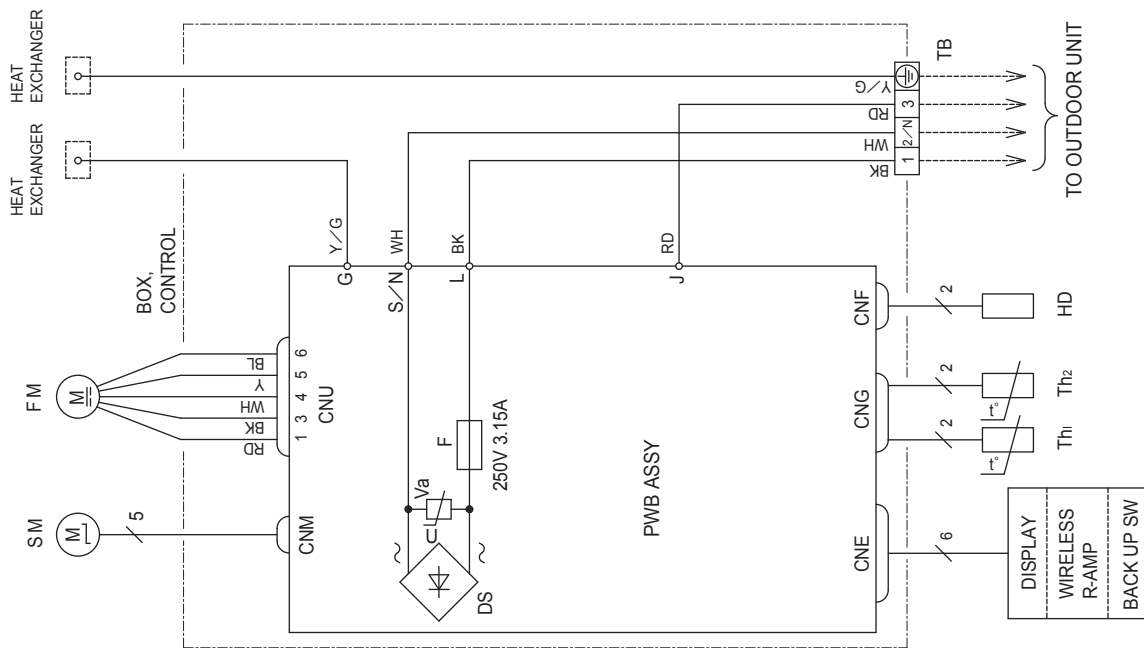


RWA000Z264

Models SRK25ZSPR-S, 35ZSPR-S, 45ZSPR-S

Item	Description
CNE	Connector
CNF	
CNG	
CNM	
CNU	
FM	Fan motor
SM	Flap motor
HD	Humidity sensor
Th ₁	Room temp. sensor
Th ₂	Heat exch. sensor
DS	Diode stack
F	Fuse
TB	Terminal block
Va	Varistor

Mark	Color
BK	Black
BL	Blue
RD	Red
WH	White
Y	Yellow
Y/G	Yellow/Green

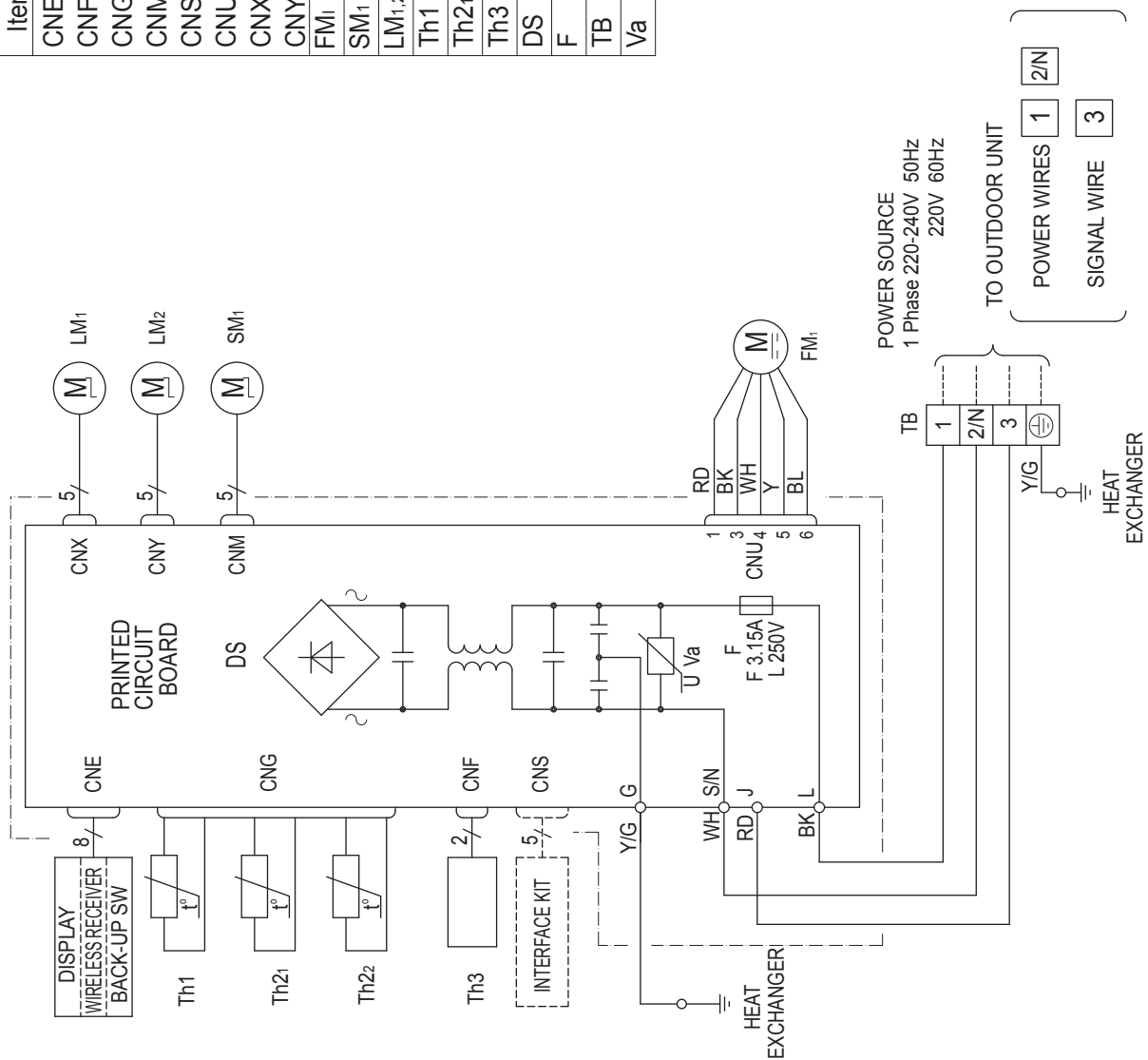


Models SRK63ZSPR-S, 71ZSPR-S, 80ZSPR-S

Item	Description
CNE	Connector
CNF	
CNG	
CNM	
CNS	
CNU	
CNX	
CNY	
FM _i	Fan motor
SM ₁	Flap motor
LM _{1,2}	Louver motor
Th1	Room temp. sensor
Th2 _{1,2}	Heat exchanger sensor
Th3	Humidity sensor
DS	Diode stack
F	Fuse
TB	Terminal block
Va	Varistor

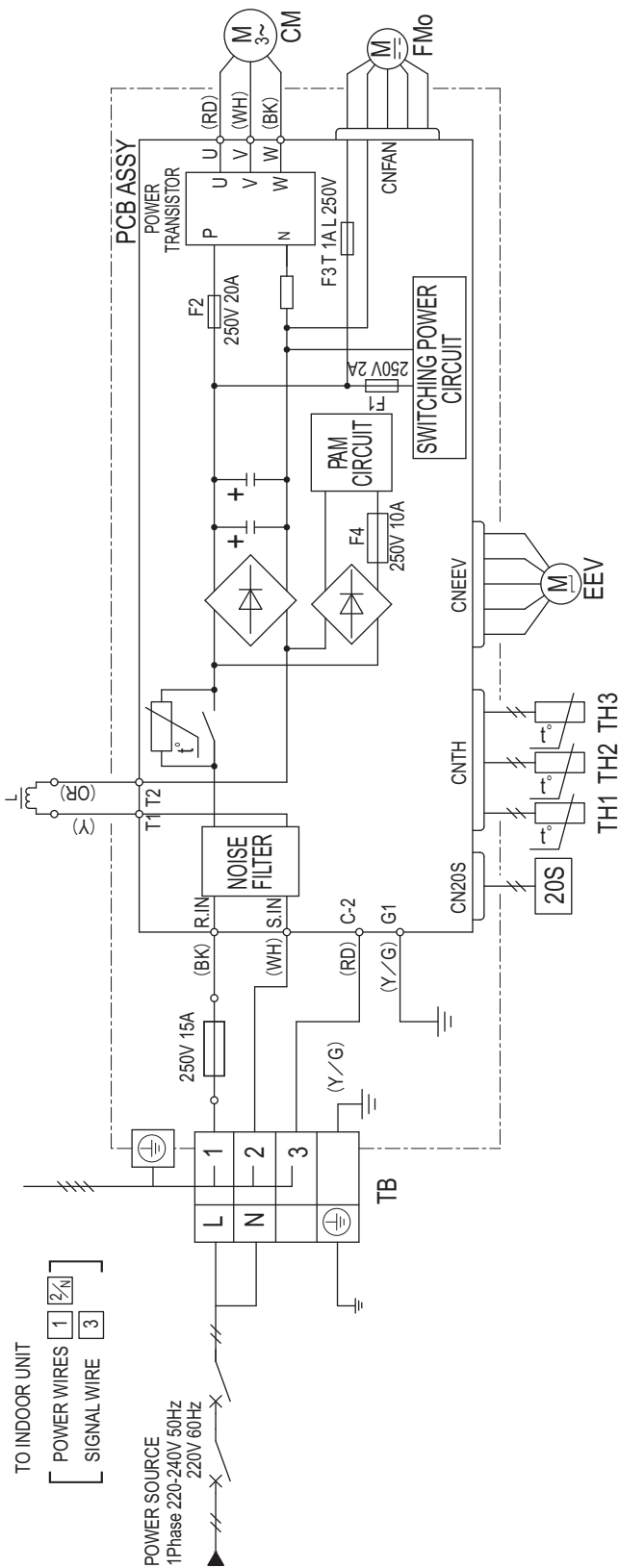
Color Marks

Mark	Color
BK	Black
BL	Blue
RD	Red
WH	White
Y	Yellow
Y/G	Yellow/Green



RWA000Z406

(2) Outdoor units
Model SRC20ZSPR-S



Power cable, indoor-outdoor connecting wires

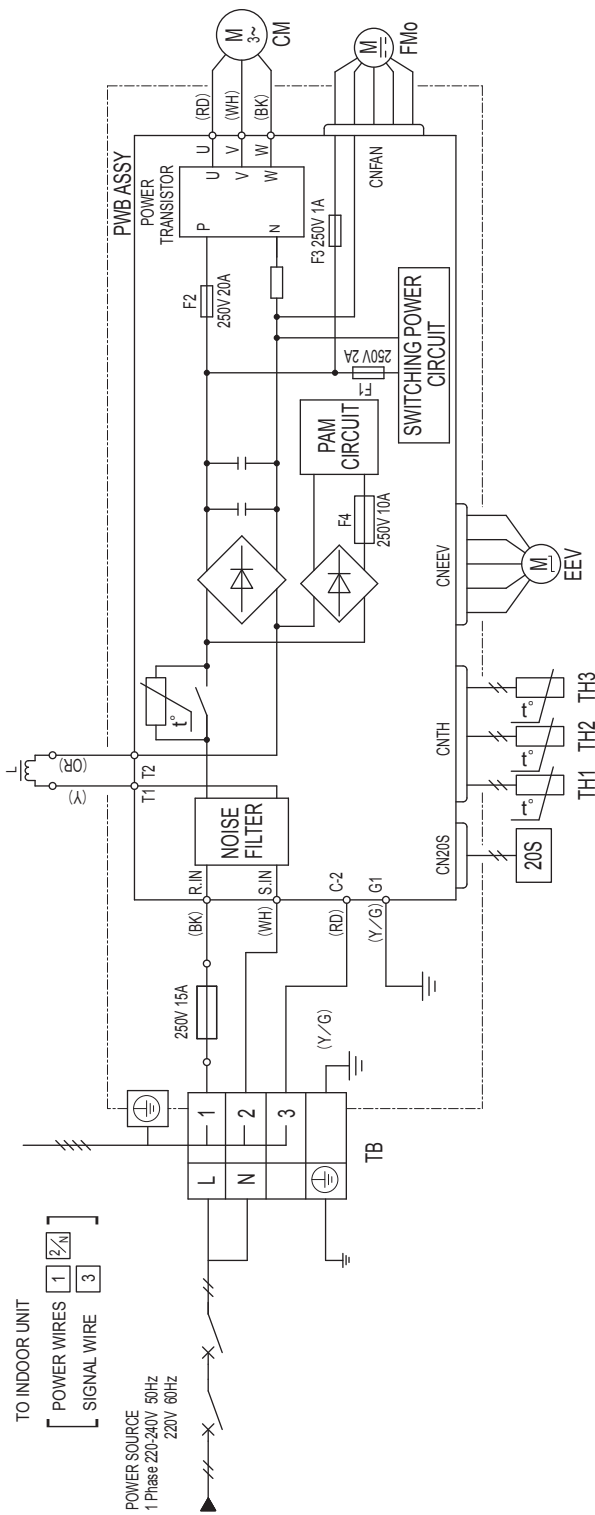
MAX running current (A)	Power cable size (mm ²)	Power cable length (m)	Indoor-outdoor wire size x number	Earth wire size (mm ²)
9	2.0	32	1.5mm ² x 4	1.5

- The specifications shown in the above table are for units without heaters. For units with heaters, refer to the installation instructions or the construction instructions of the indoor unit.
- Switchgear of Circuit breaker capacity which is calculated from MAX. over current should be chosen along the regulations in each country.
- The cable specifications are based on the assumption that a metal or plastic conduit is used with no more than three cables contained in a conduit and a voltage drop is 2%. For an installation falling outside of these conditions, please follow the internal cabling regulations. Adapt it to the regulation in effect in each country.

Item	Description
CM	Compressor motor
CN20S	Connector
CNEEV	Electric expansion valve (coil)
CNFAN	Fan motor
CNTH	Terminal block
EEV	Heat exchanger sensor (outdoor unit)
FMo	Outdoor air temp. sensor
L	Discharge pipe temp. sensor
TB	Solenoid coil for 4 way valve
TH1	
TH2	
TH3	
20S	

Mark	Color
BK	Black
OR	Orange
RD	Red
WH	White
Y	Yellow
Y/G	Yellow / Green

Models SRC25ZSPR-S, 35ZSPR-S, 45ZSPR-S



Power cable, indoor-outdoor connecting wires

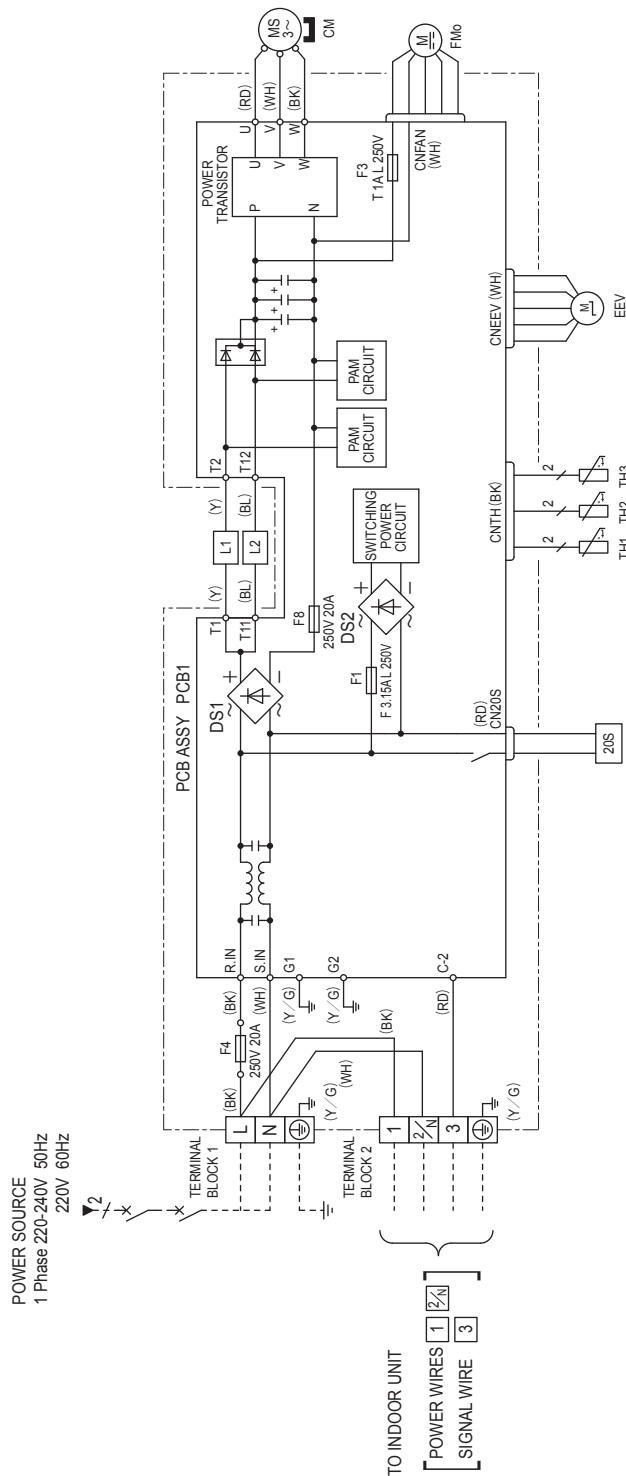
Model	MAX running current (A)	Power cable size (mm ²)	Power cable length (m)	indoor-outdoor wire size x number	Earth wire size (mm ²)
SRC25ZSPR-S	9	2.0	32	1.5mm ² x 4	1.5
SRC35ZSPR-S	14	2.0	18	1.5mm ² x 4	1.5

- The specifications shown in the above table are for units without heaters. For units with heaters, refer to the installation instructions or the construction instructions of the indoor unit.
- Switchgear of Circuit breaker capacity which is calculated from MAX. over current should be chosen along the regulations in each country.
- The cable specifications are based on the assumption that a metal or plastic conduit is used with no more than three cables contained in a conduit and a voltage drop is 2%. For an installation falling outside of these conditions, please follow the internal cabling regulations. Adapt it to the regulation in effect in each country.

Item	Description
CM	Compressor motor
CN20S	Connector
CNEEV	Electric expansion valve (coil)
CNFAN	Fan motor
CNTH	Reactor
EEV	Terminal block
FMo	Heat exchanger sensor (outdoor unit)
L	Outdoor air temp. sensor
TB	Discharge pipe temp. sensor
TH1	Solenoid coil for 4 way valve
TH2	
TH3	
20S	

Mark	Color
BK	Black
OR	Orange
RD	Red
WH	White
Y	Yellow
Y/G	Yellow/Green

Models SRC63ZSPR-S, 71ZSPR-S, 80ZSPR-S



Power cable, indoor-outdoor connecting wires

Model	MAX running current (A)	Power cable size (mm ²)	Power cable length (m)	Indoor-outdoor wire size x number	Earth wire size (mm ²)
SRC63ZSPR-S	14.5	2.0	14	1.5mm ² x 4	2.5
SRC71ZSPR-S	17.0	2.5	15		
SRC80ZSPR-S	17.0	2.5	15		

- The specifications shown in the above table are for units without heaters. For units with heaters, refer to the installation instructions or the construction instructions of the indoor unit.
- Switchgear of Circuit breaker capacity which is calculated from MAX. over current should be chosen along the regulations in each country.
- The cable specifications are based on the assumption that a metal or plastic conduit is used with no more than three cables contained in a conduit and a voltage drop is 2%. For an installation falling outside of these conditions, please follow the internal cabling regulations. Adapt it to the regulation in effect in each country.

Item	Description
20S	Solenoid coil for 4 way valve
CN20S	Connector
CNEEV	Compressor motor
CNFAN	Diode stack
CNTH	Electric expansion valve (coil)
CM	Fan motor
DS1,2	Reactor
EEV	Heat exchanger sensor
FMO	Outdoor air temp. sensor
L1,2	Discharge pipe temp. sensor
TH1	
TH2	
TH3	

Mark	Color
BK	Black
BL	Blue
RD	Red
WH	White
Y	Yellow
Y/G	Yellow / Green

RCR000Z030

4. NOISE LEVEL

Model SRK20ZSPR-S

(Indoor Unit)

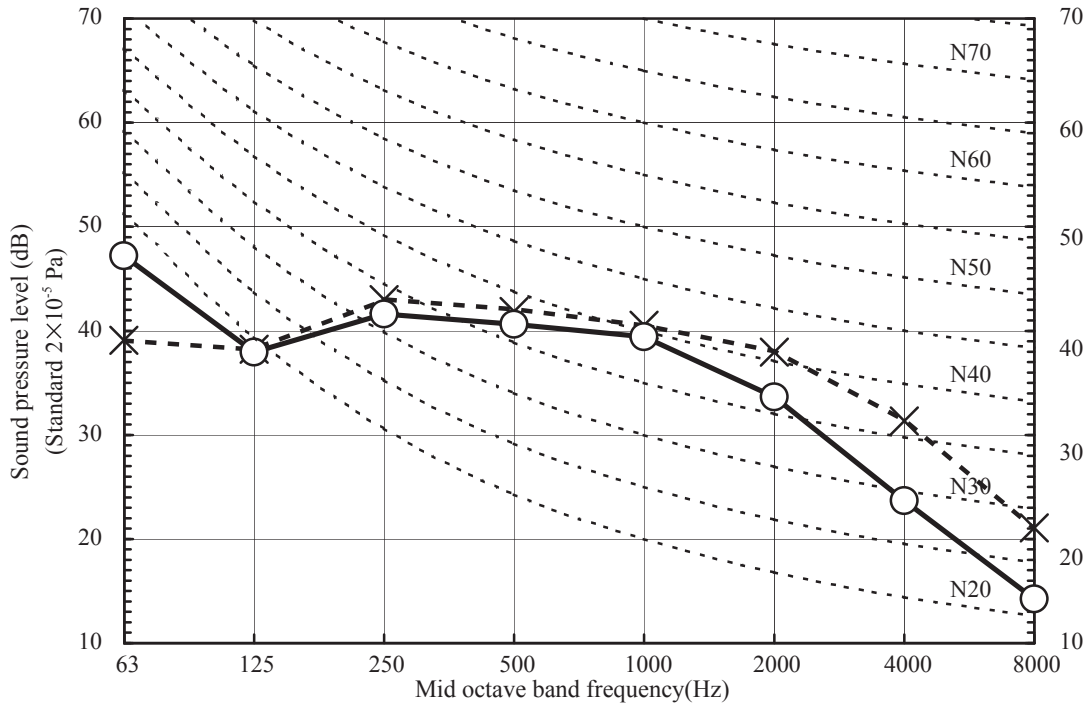
Model	SRK20ZSPR-S	
Noise Level	Cooling	45 dB(A)
	Heating	43 dB(A)

Condition ISO-T1, JIS C 9612

● Mike position



x Cooling ○ — Heating

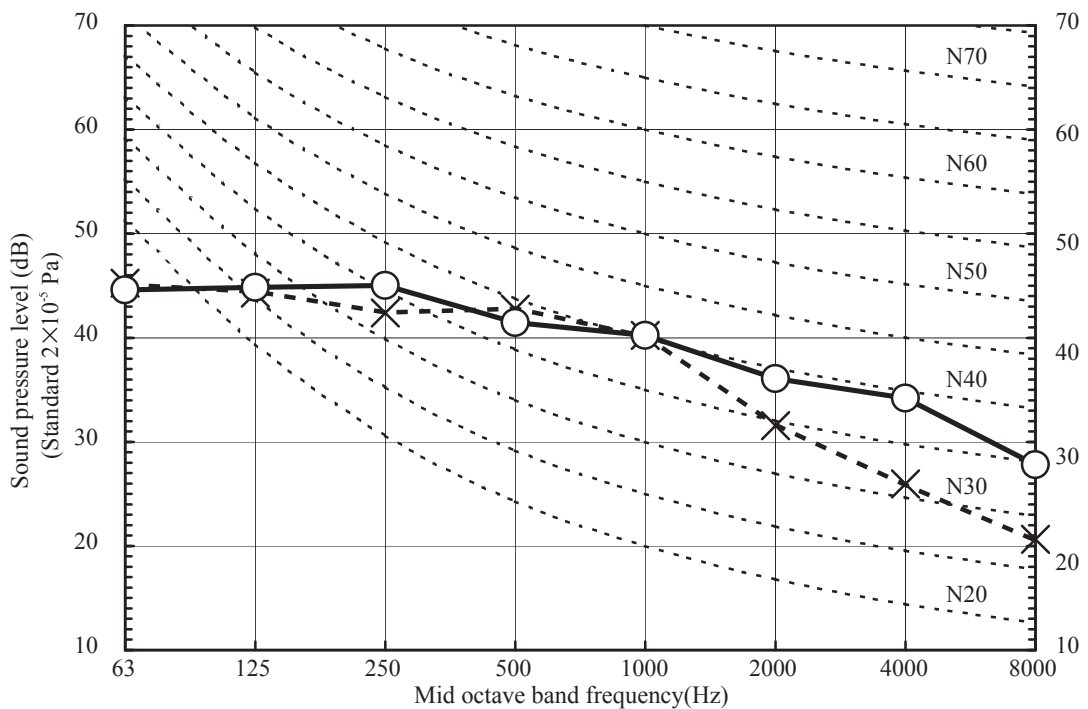


(Outdoor Unit)

Model	SRC20ZSPR-S	
Noise Level	Cooling	44 dB(A)
	Heating	45 dB(A)

● Mike position: at highest noise level in position as mentioned below
Distance from front side 1m

x Cooling ○ — Heating



Model SRK25ZSPR-S

Condition	ISO-T1, JIS C 9612
-----------	--------------------

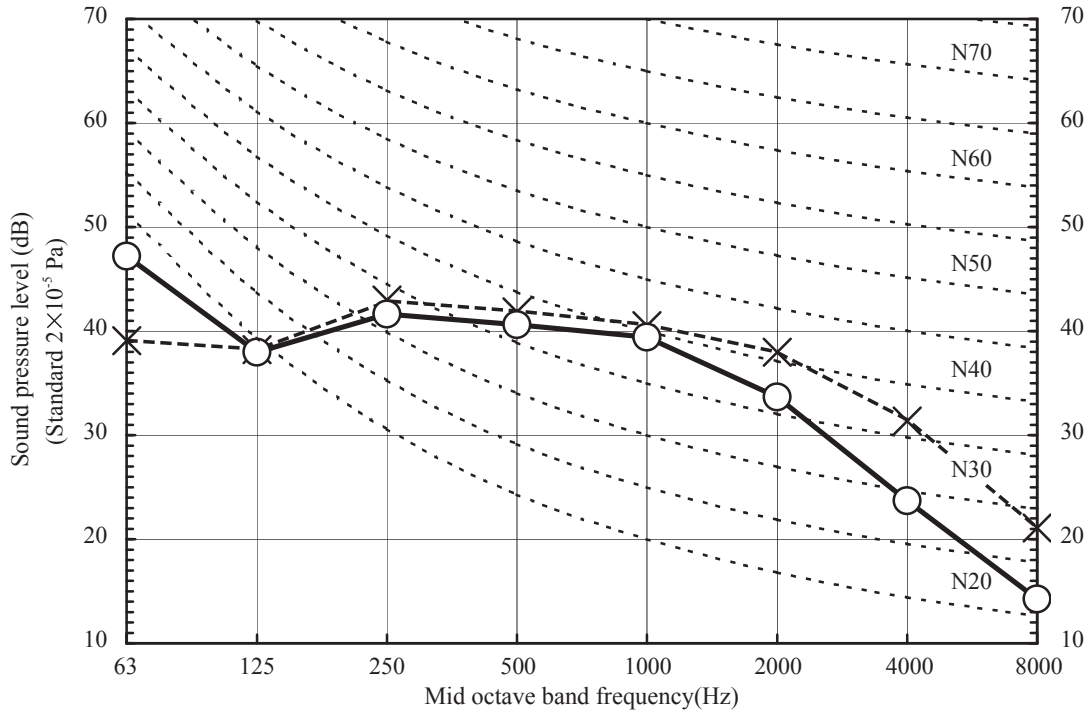
(Indoor Unit)

Model	SRK25ZSPR-S	
Noise Level	Cooling	45 dB(A)
	Heating	43 dB(A)

● Mike position



× Cooling ○ — Heating

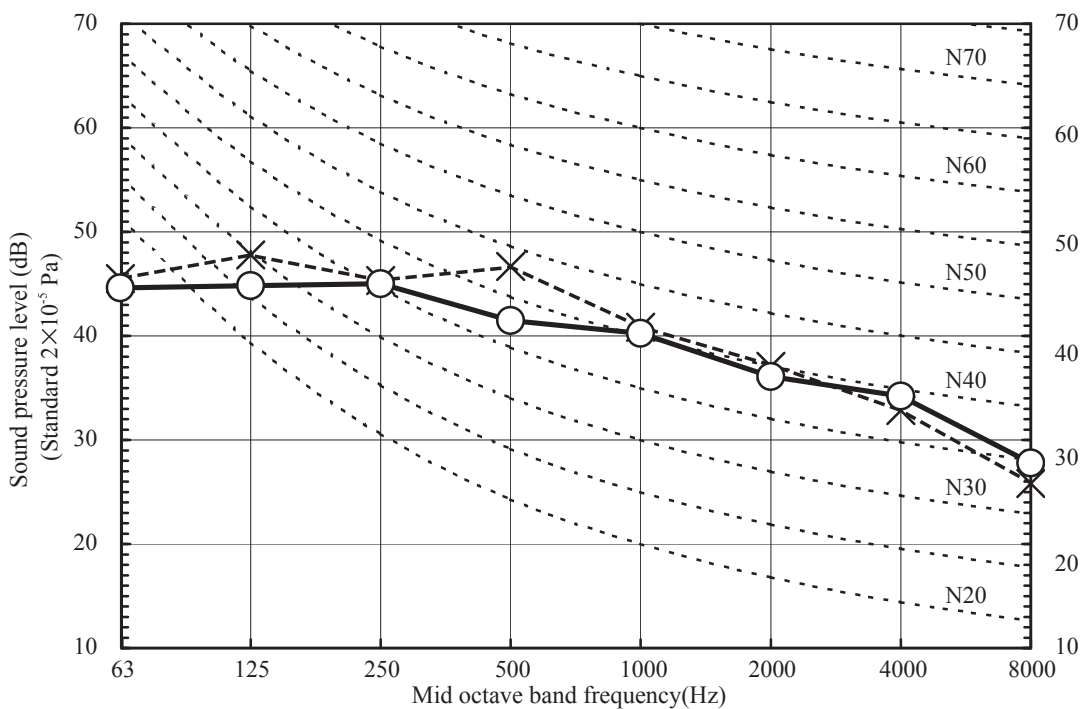


(Outdoor Unit)

Model	SRC25ZSPR-S	
Noise Level	Cooling	47 dB(A)
	Heating	45 dB(A)

● Mike position: at highest noise level in position as mentioned below
Distance from front side 1m

× Cooling ○ — Heating



Model SRK35ZSPR-S

Condition ISO-T1, JIS C 9612

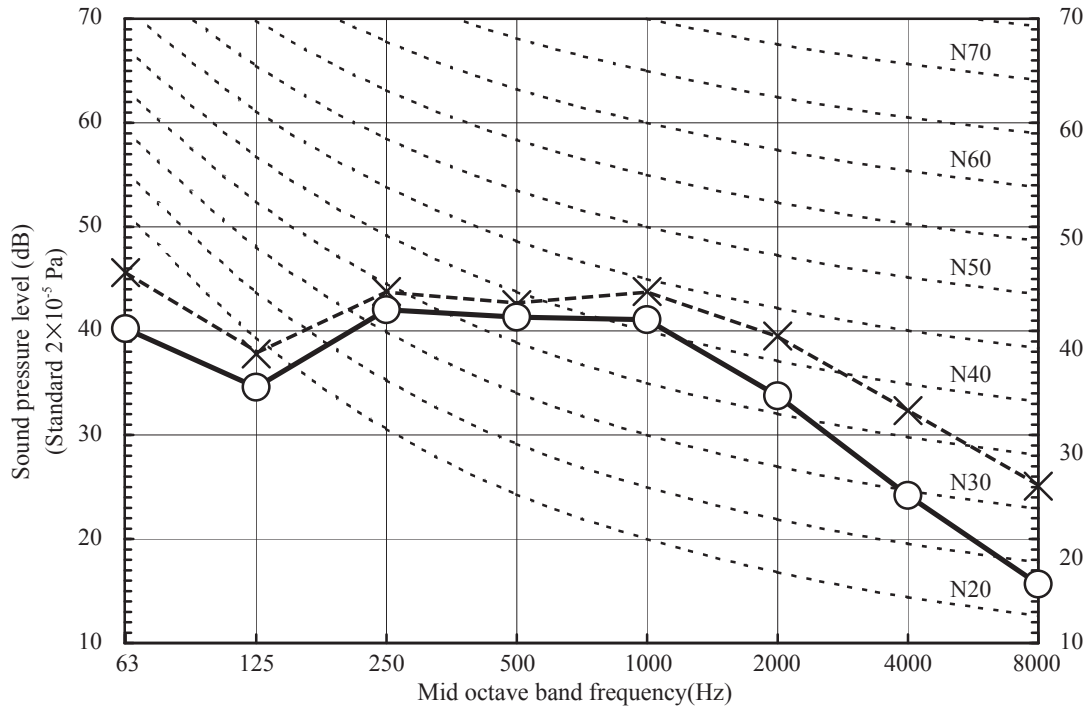
(Indoor Unit)

Model	SRK35ZSPR-S	
Noise Level	Cooling	47 dB(A)
	Heating	44 dB(A)

● Mike position



× Cooling ○ — Heating

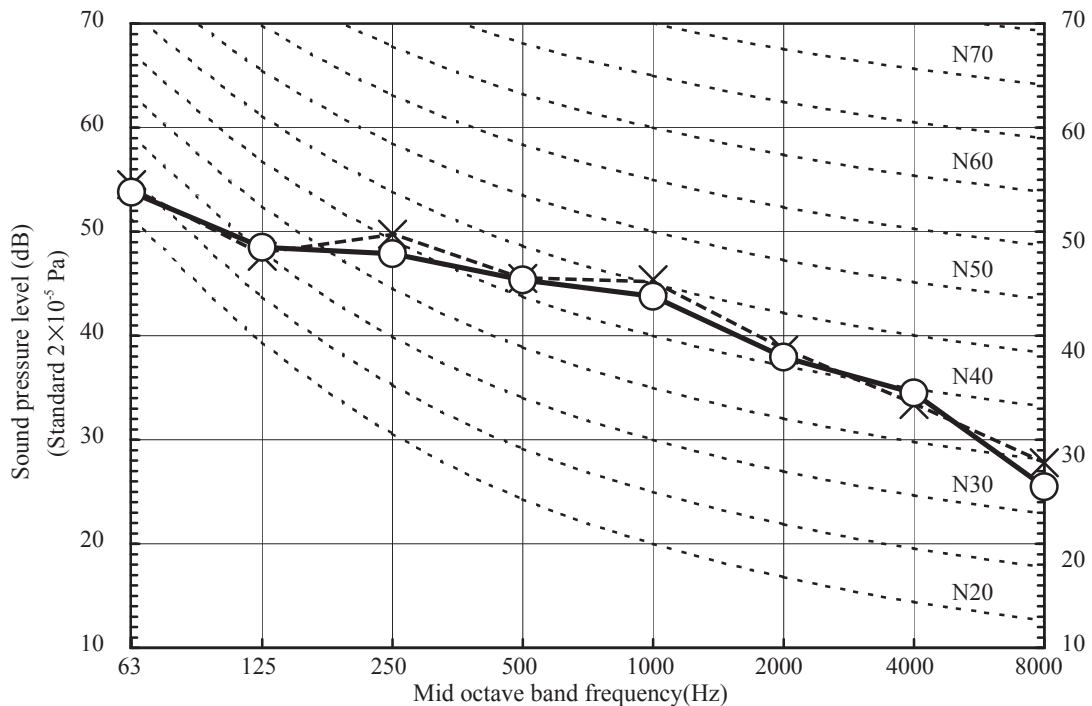


(Outdoor Unit)

Model	SRC35ZSPR-S	
Noise Level	Cooling	49 dB(A)
	Heating	48 dB(A)

● Mike position: at highest noise level in position as mentioned below
Distance from front side 1m

× Cooling ○ — Heating



Model SRK45ZSPR-S

Condition	ISO-T1, JIS C 9612
-----------	--------------------

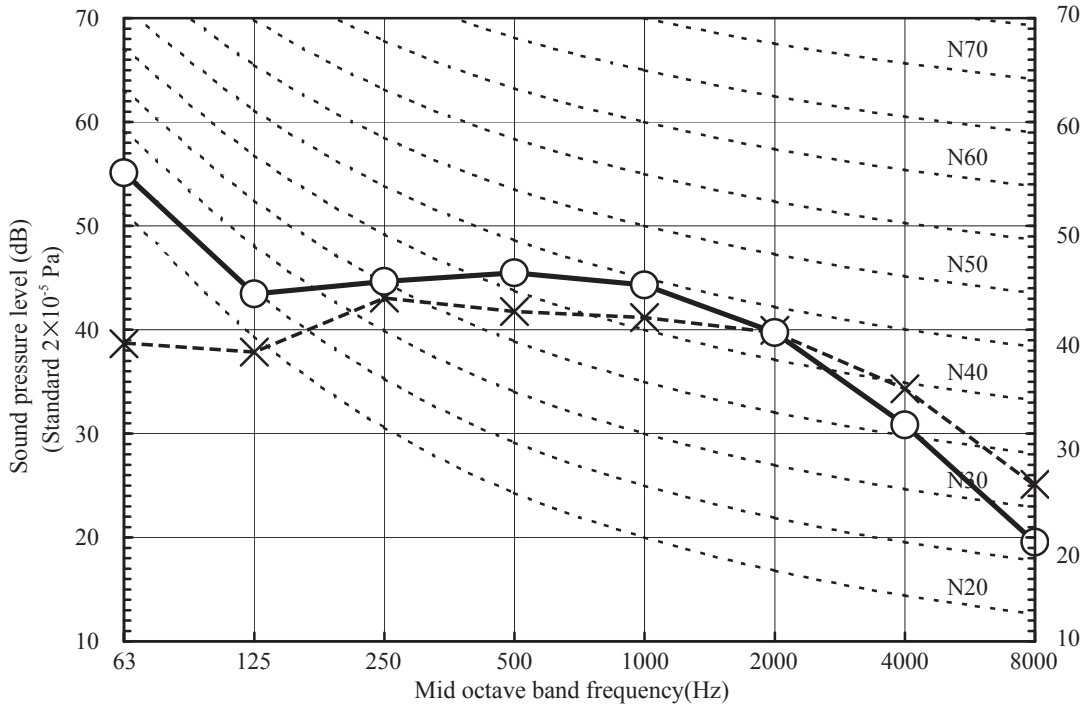
(Indoor Unit)

Model	SRK45ZSPR-S	
Noise Level	Cooling	46 dB(A)
	Heating	48 dB(A)

● Mike position



× Cooling ○ — Heating

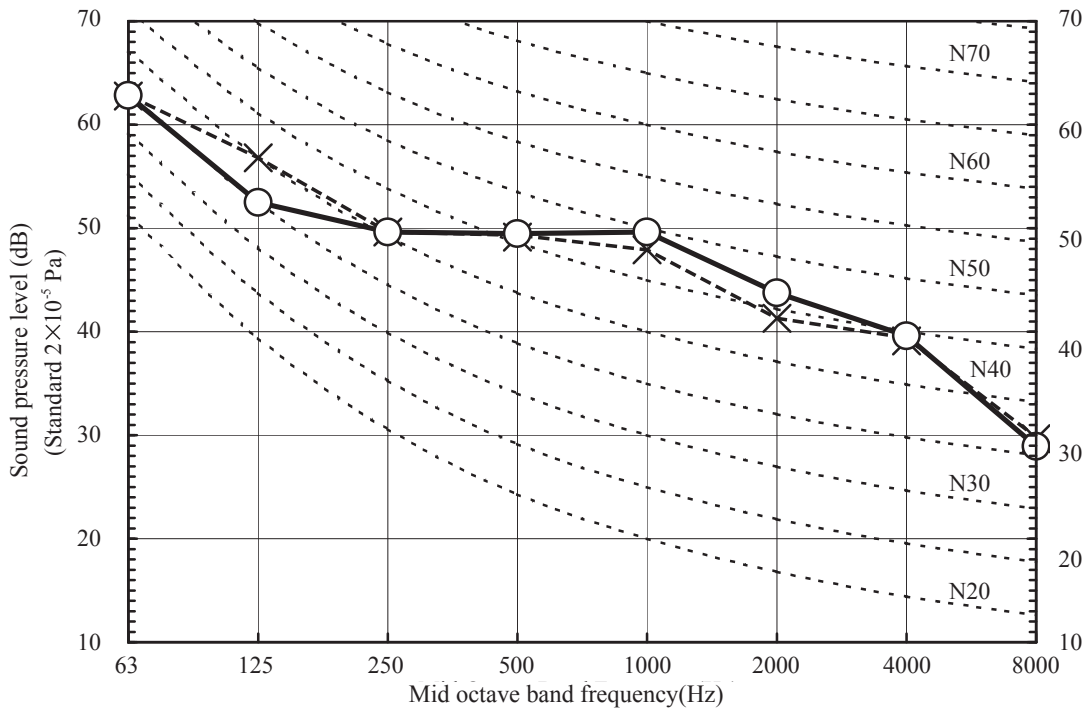


(Outdoor Unit)

Model	SRC45ZSPR-S	
Noise Level	Cooling	52 dB(A)
	Heating	53 dB(A)

● Mike position: at highest noise level in position as mentioned below
Distance from front side 1m

× Cooling ○ — Heating



Model SRK63ZSPR-S

Condition	ISO5151 T1
MODE	Rated capacity value

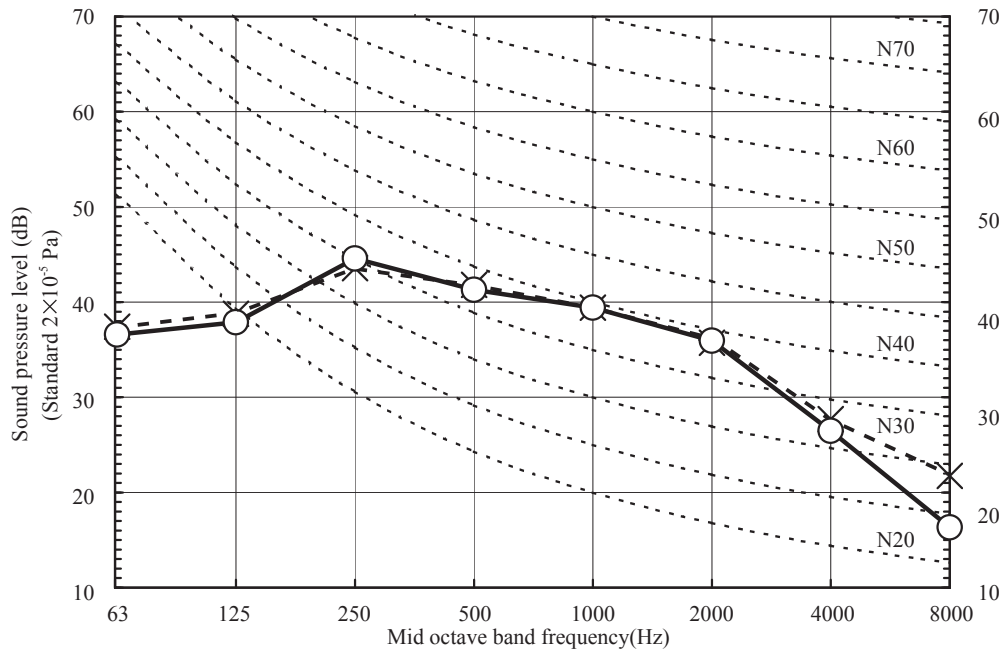
(Indoor Unit)

Model	SRK63ZSPR-S	
Noise Level	Cooling	44 dB(A)
	Heating	44 dB(A)

● Mike position



x Cooling ○ — Heating

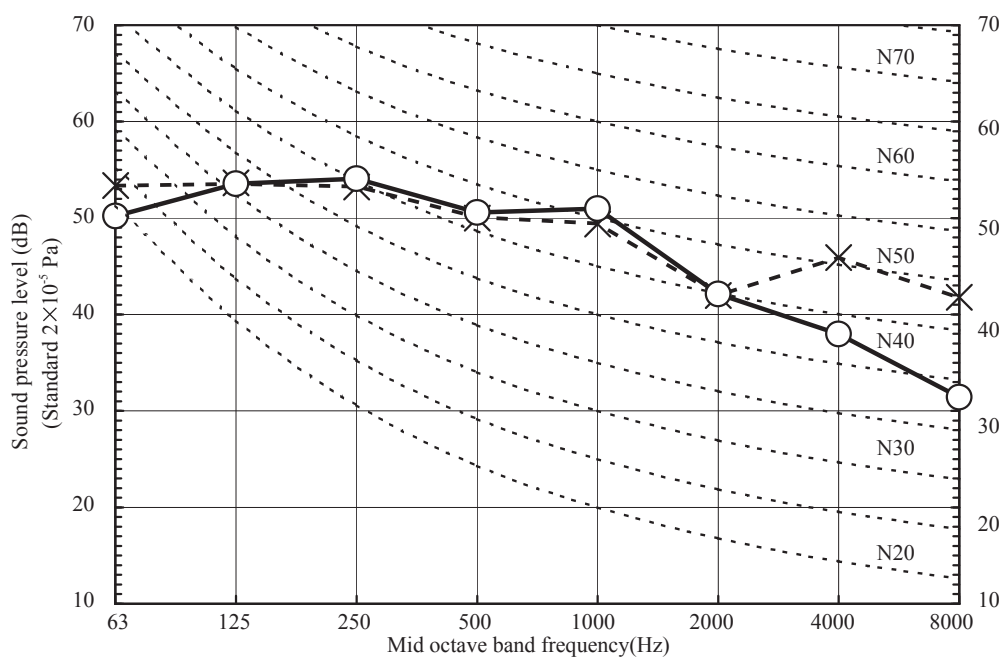


(Outdoor Unit)

Model	SRC63ZSPR-S	
Noise Level	Cooling	54 dB(A)
	Heating	54 dB(A)

● Mike position: at highest noise level in position as mentioned below
Distance from front side 1m

x Cooling ○ — Heating



Model SRK71ZSPR-S

Condition	ISO5151 T1
MODE	Rated capacity value

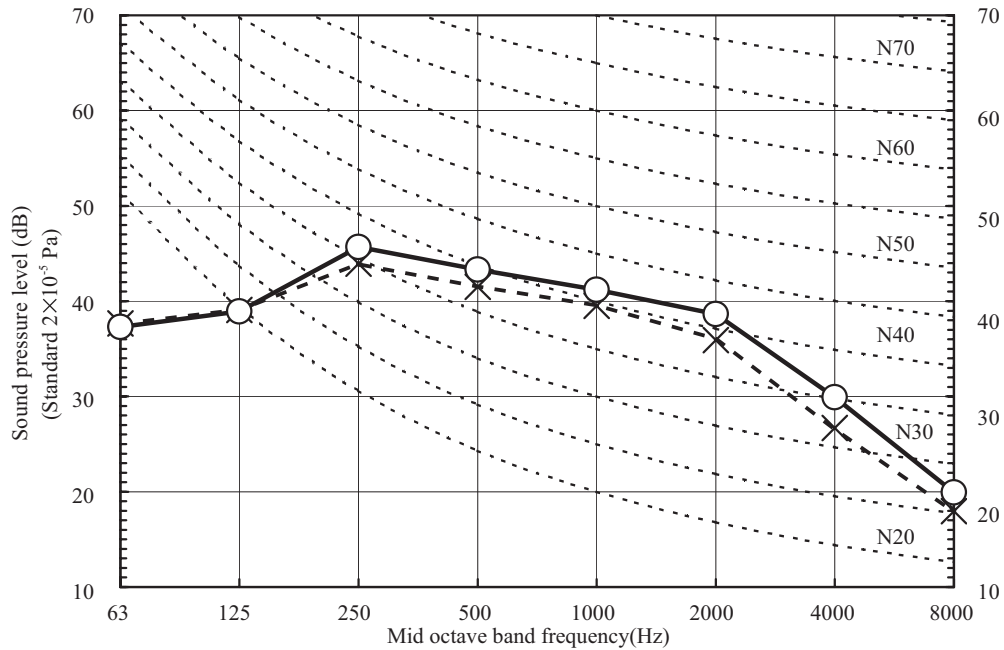
(Indoor Unit)

Model	SRK71ZSPR-S	
Noise Level	Cooling	44 dB(A)
	Heating	46 dB(A)

● Mike position



x Cooling ○ — Heating

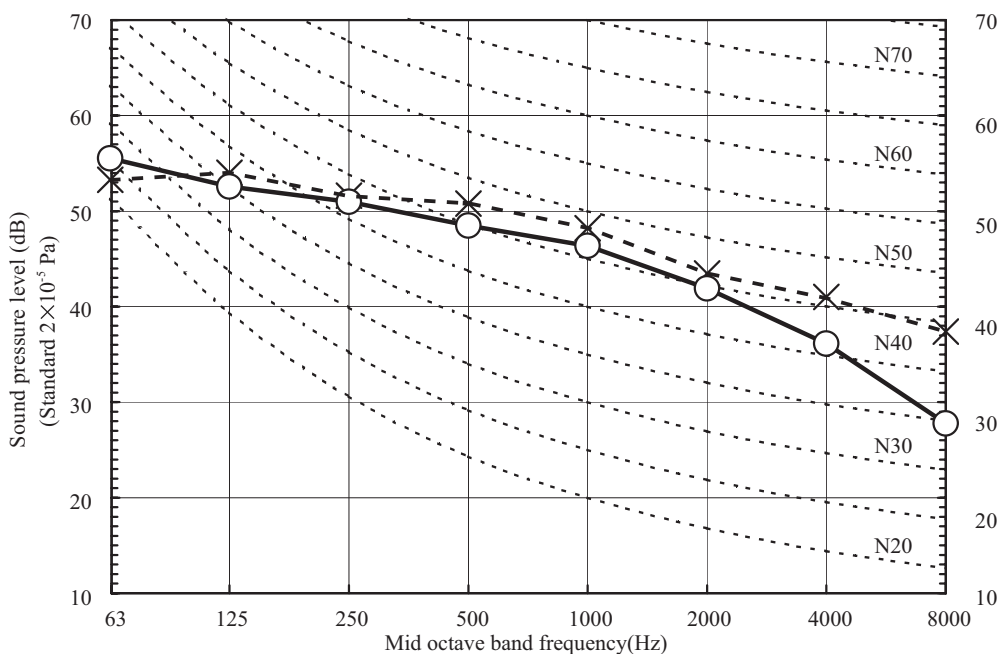


(Outdoor Unit)

Model	SRC71ZSPR-S	
Noise Level	Cooling	53 dB(A)
	Heating	51 dB(A)

● Mike position: at highest noise level in position as mentioned below
Distance from front side 1m

x Cooling ○ — Heating



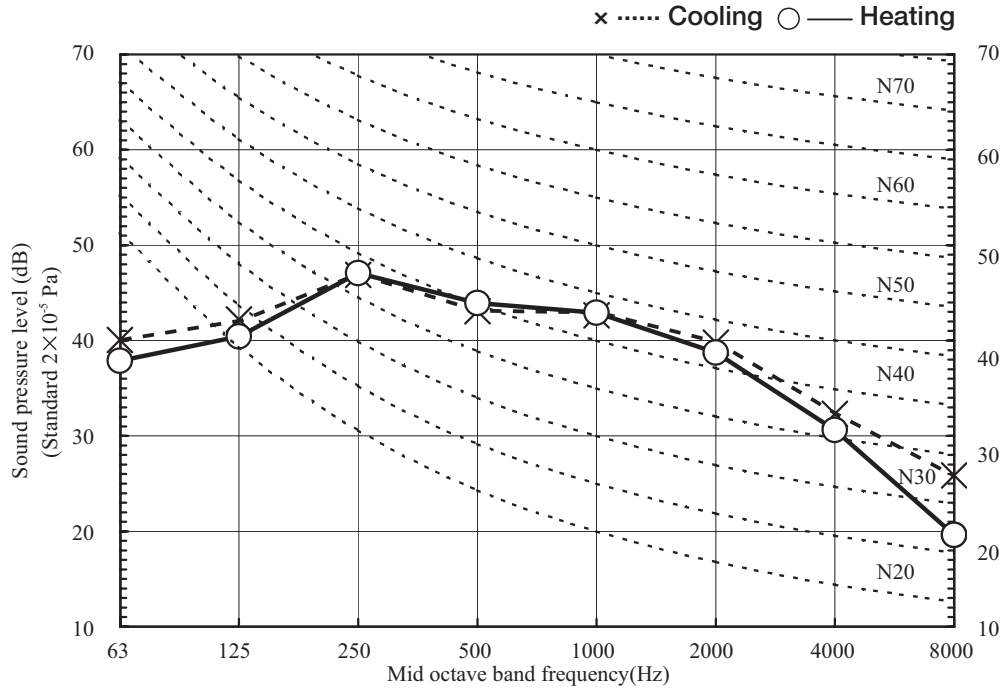
Model SRK80ZSPR-S

Condition	ISO5151 T1
MODE	Rated capacity value

(Indoor Unit)

Model	SRK80ZSPR-S	
Noise Level	Cooling	47 dB(A)
	Heating	47 dB(A)

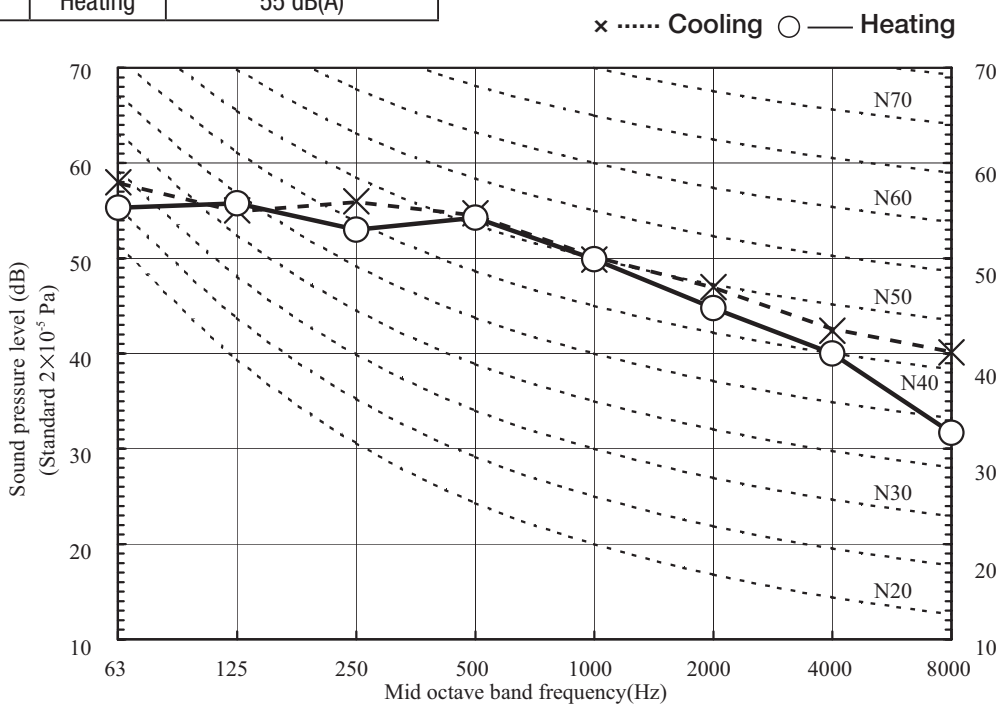
● Mike position



(Outdoor Unit)

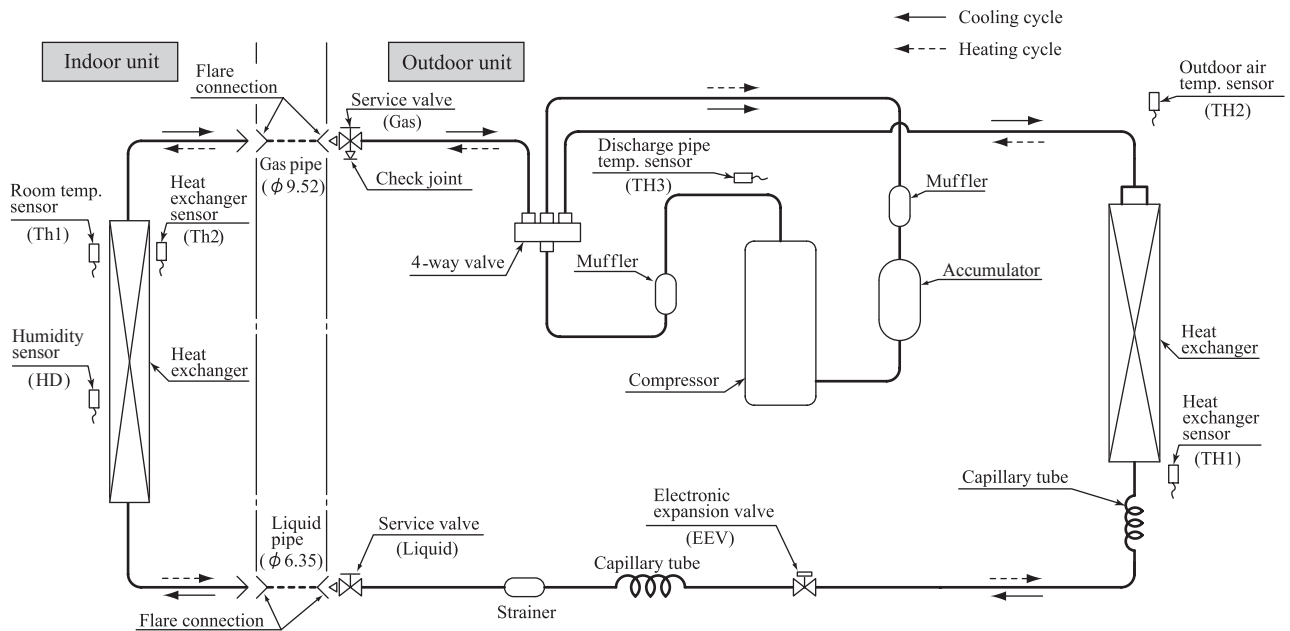
Model	SRC80ZSPR-S	
Noise Level	Cooling	56 dB(A)
	Heating	55 dB(A)

● Mike position: at highest noise level in position as mentioned below
Distance from front side 1m

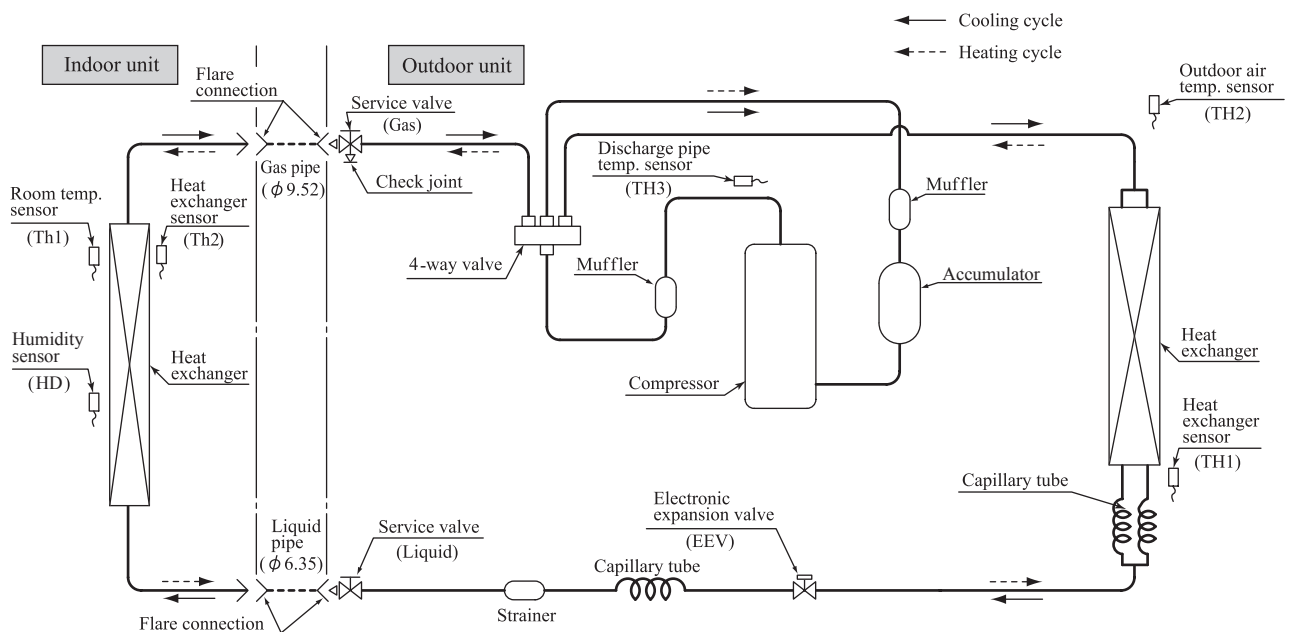


5. PIPING SYSTEM

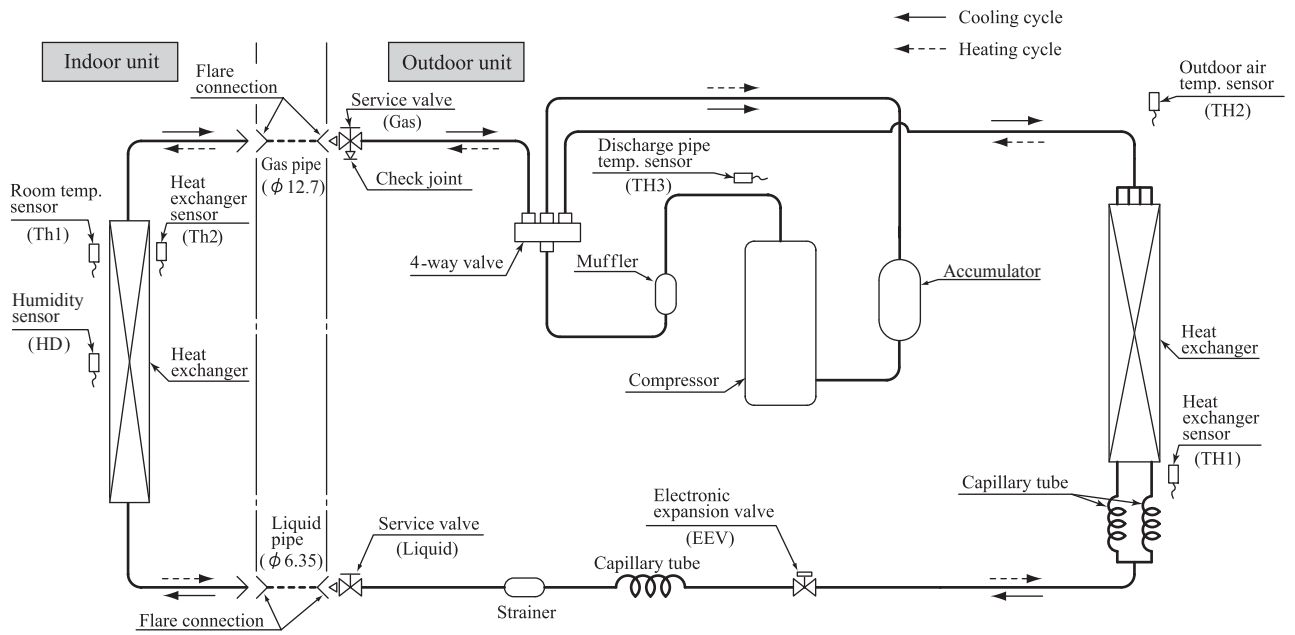
Models SRK20ZSPR-S, 25ZSPR-S



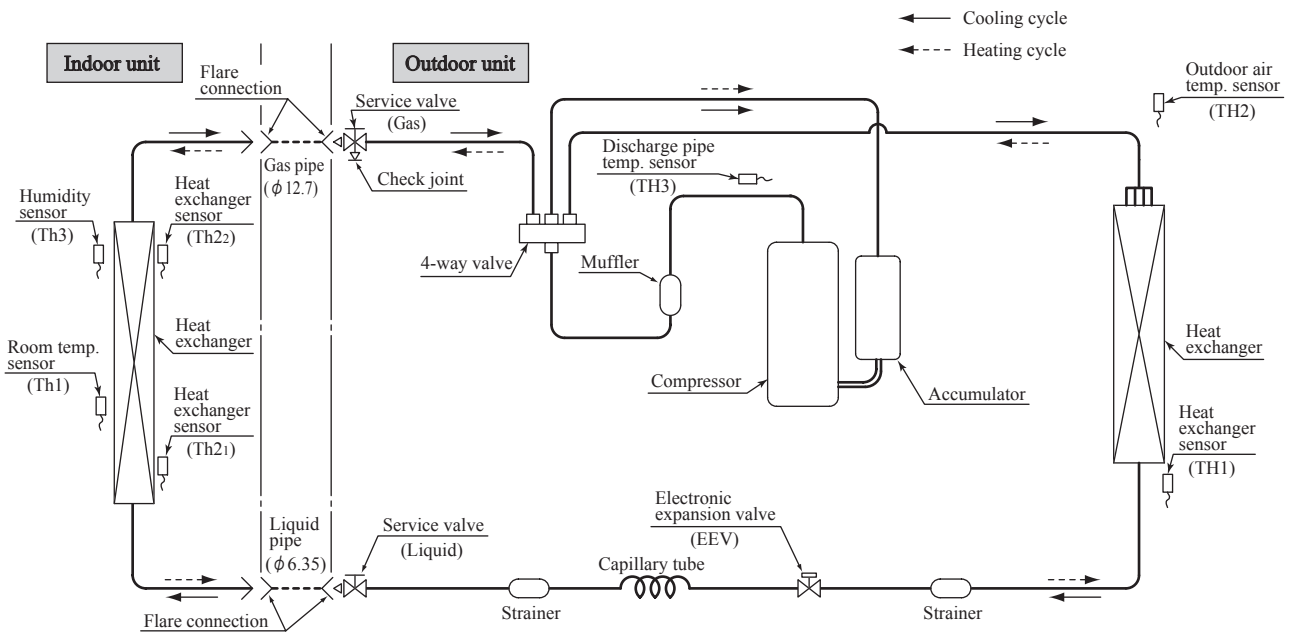
Model SRK35ZSPR-S



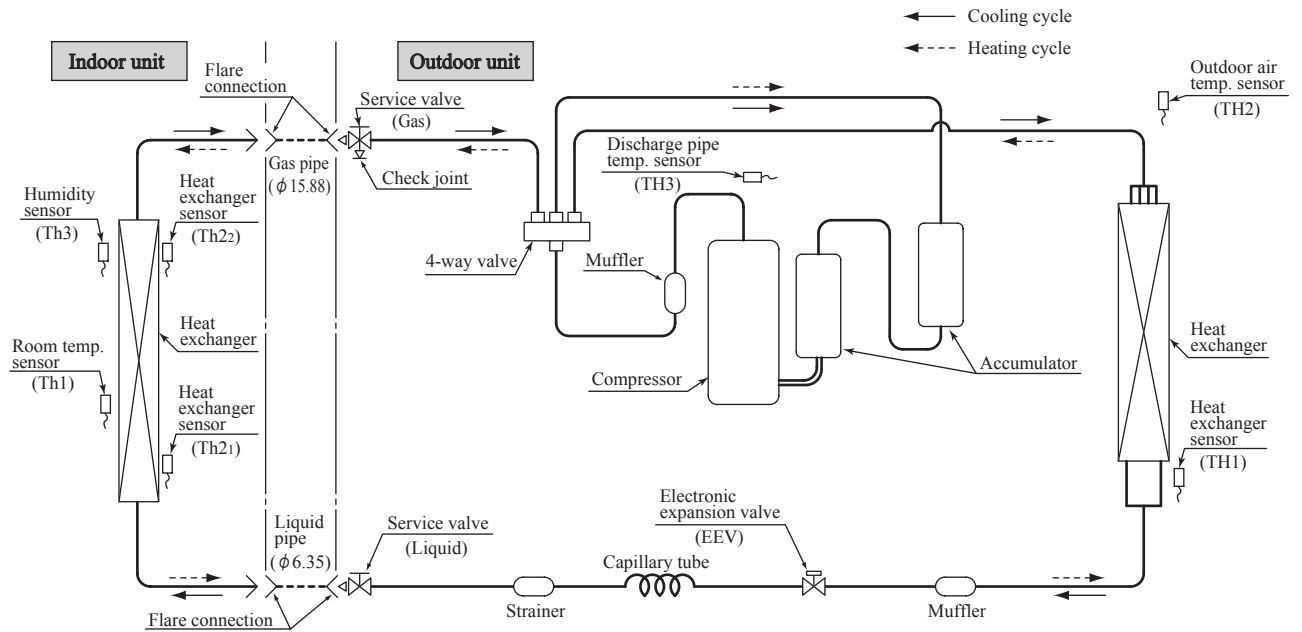
Model SRK45ZSPR-S



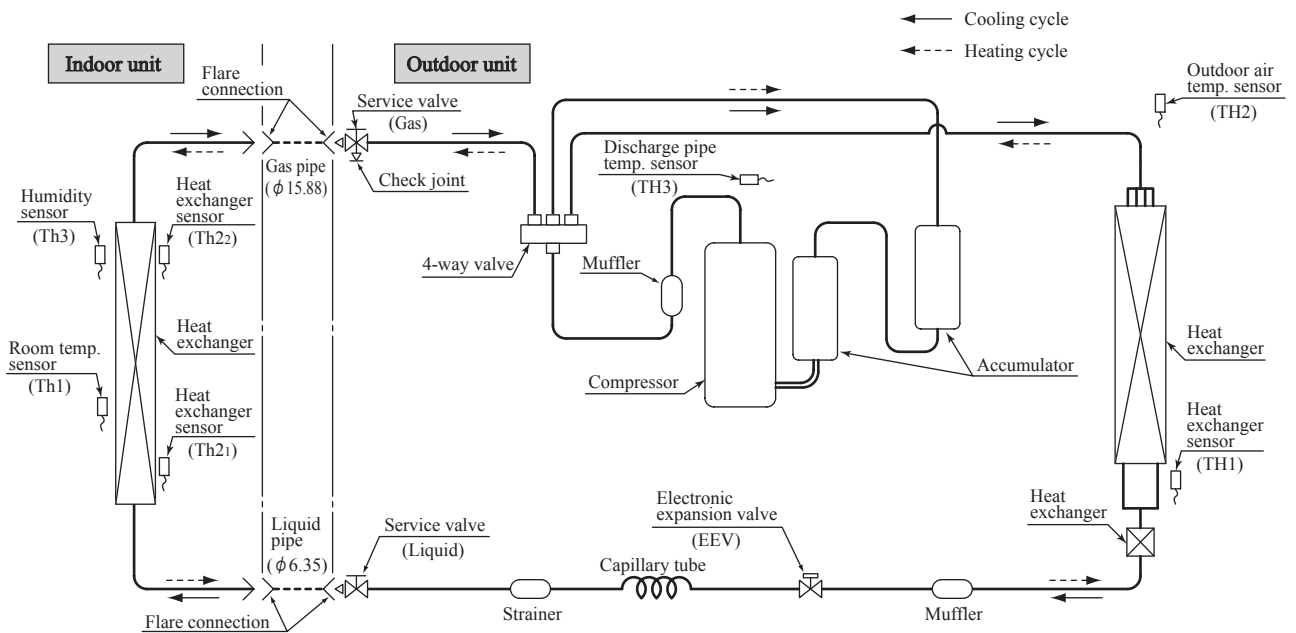
Model SRK63ZSPR-S



Model SRK71ZSPR-S



Model SRK80ZSPR-S



6. RANGE OF USAGE & LIMITATIONS

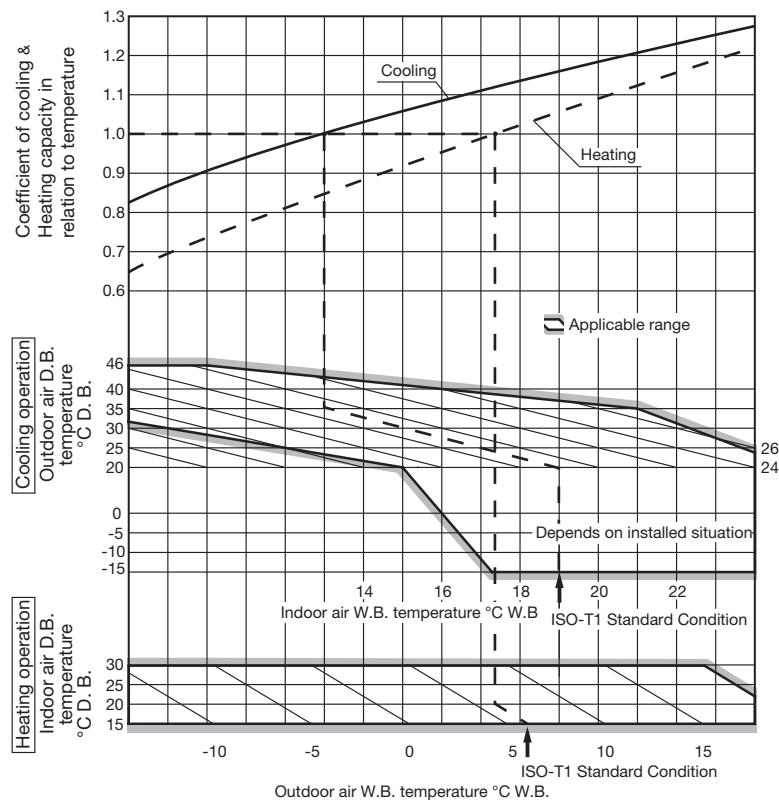
Item	Model SRK20ZSPR-S SRK25ZSPR-S SRK35ZSPR-S	SRK45ZSPR-S	SRK63ZSPR-S SRK71ZSPR-S SRK80ZSPR-S
Indoor return air temperature (Upper, lower limits)	Cooling operation : Approximately 18 to 32°C D.B. Heating operation : Approximately 15 to 30°C D.B. (Refer to the selection chart)		
Outdoor air temperature (Upper, lower limits)	Cooling operation : Approximately -15 to 46°C D.B. Heating operation : Approximately -15 to 24°C D.B. (Refer to the selection chart)		
Refrigerant line (one way) length	Max. 15m	Max. 25m	Max. 30m
Vertical height difference between outdoor unit and indoor unit	Max. 10m (Outdoor unit is higher) Max. 10m (Outdoor unit is lower)	Max. 15m (Outdoor unit is higher) Max. 15m (Outdoor unit is lower)	Max. 20m (Outdoor unit is higher) Max. 20m (Outdoor unit is lower)
Power source voltage	Rating ±10%		
Voltage at starting	Min. 85% of rating		
Frequency of ON-OFF cycle	Max. 4 times/h (Inching prevention 10 minutes)	Max. 7 times/h (Inching prevention 5 minutes)	Max. 7 times/h (Inching prevention 5-9 minutes)
ON and OFF interval	Min. 3 minutes		

Selection chart

Correct the cooling and heating capacity in accordance with the conditions as follows. The net cooling and heating capacity can be obtained in the following way.

Net capacity = Capacity shown on specification × Correction factors as follows.

(1) Coefficient of cooling and heating capacity in relation to temperatures



(2) Correction of cooling and heating capacity in relation to one way length of refrigerant piping

It is necessary to correct the cooling and heating capacity in relation to the one way piping length between the indoor and outdoor units.

Piping length [m]	7	10	15	20	25	30
Cooling	1.0	0.99	0.975	0.965	0.95	0.935
Heating	1.0	1.0	1.0	1.0	1.0	1.0

(3) Correction relative to frosting on outdoor heat exchanger during heating

In additions to the foregoing corrections (1), (2) the heating capacity needs to be adjusted also with respect to the frosting on the outdoor heat exchanger.

Air inlet temperature of outdoor unit in °CWB	-15	-10	-9	-7	-5	-3	-1	1	3	5 or more
Adjustment coefficient	0.95	0.95	0.94	0.93	0.91	0.88	0.86	0.87	0.92	1.00

How to obtain the cooling and heating capacity

Example : The net cooling capacity of the model SRK35ZSPR-S with the piping length of 15m, indoor wet-bulb temperature at 19.0°C and outdoor dry-bulb temperature 35°C is

$$\text{Net cooling capacity} = \overbrace{3.2}^{\text{SRK35ZSPR-S}} \times \overbrace{0.975}^{\text{Length 15m}} \times \overbrace{1.0}^{\text{Factor by air temperatures}} \doteq 3.1\text{kW}$$

7. CAPACITY TABLES

Model SRK20ZSPR-S Cooling Mode (kW)

Air flow	Outdoor air temp. °CDB	Indoor air temp.													
		21 °CDB		23 °CDB		26 °CDB		27 °CDB		28 °CDB		31 °CDB		33 °CDB	
		14 °CWB	16 °CWB	18 °CWB	19 °CWB	20 °CWB	22 °CWB	24 °CWB	TC	SHC	TC	SHC	TC	SHC	TC
Hi 10.1 (m ³ /min)	10	2.25	2.13	2.36	2.10	2.45	2.22	2.49	2.19	2.53	2.17	2.60	2.28	2.67	2.22
	12	2.21	2.11	2.32	2.08	2.41	2.20	2.45	2.18	2.50	2.16	2.58	2.27	2.65	2.21
	14	2.17	2.06	2.28	2.05	2.38	2.19	2.42	2.17	2.47	2.15	2.55	2.25	2.62	2.21
	16	2.13	2.02	2.24	2.03	2.34	2.17	2.39	2.15	2.43	2.13	2.52	2.25	2.59	2.20
	18	2.08	1.98	2.19	2.02	2.30	2.15	2.35	2.14	2.40	2.12	2.49	2.24	2.56	2.19
	20	2.04	1.94	2.15	2.00	2.26	2.14	2.31	2.12	2.36	2.11	2.45	2.23	2.53	2.18
	22	1.99	1.89	2.10	1.98	2.22	2.11	2.28	2.11	2.32	2.09	2.42	2.22	2.50	2.17
	24	1.94	1.85	2.05	1.95	2.18	2.07	2.24	2.10	2.28	2.08	2.38	2.20	2.47	2.16
	26	1.90	1.80	2.01	1.91	2.14	2.03	2.20	2.07	2.24	2.05	2.35	2.19	2.43	2.15
	28	1.85	1.75	1.96	1.86	2.09	1.99	2.15	2.05	2.20	2.04	2.31	2.18	2.40	2.14
	30	1.79	1.70	1.90	1.81	2.05	1.94	2.11	2.01	2.16	2.02	2.27	2.17	2.36	2.13
	32	1.74	1.65	1.85	1.76	2.00	1.90	2.07	1.96	2.12	2.01	2.23	2.12	2.32	2.12
	34	1.69	1.60	1.80	1.71	1.95	1.85	2.02	1.92	2.07	1.97	2.19	2.08	2.28	2.10
	35	1.66	1.58	1.77	1.68	1.93	1.83	2.00	1.90	2.05	1.94	2.17	2.06	2.26	2.10
	36	1.63	1.55	1.74	1.65	1.90	1.81	1.98	1.88	2.02	1.92	2.15	2.04	2.24	2.09
	38	1.58	1.50	1.68	1.60	1.85	1.76	1.93	1.83	1.98	1.88	2.11	2.00	2.20	2.08
	39	1.55	1.47	1.66	1.57	1.83	1.74	1.91	1.81	1.95	1.85	2.08	1.98	2.18	2.06

Heating Mode(HC) (kW)

Air flow	Outdoor air temp. °CWB	Indoor air temp.				
		16°C DB	18°C DB	20°C DB	22°C DB	24°C DB
		Hi 9.5 (m ³ /min)	-15	1.66	1.63	1.59
-10	1.88		1.85	1.82	1.78	1.74
-5	2.04		2.01	1.97	1.94	1.91
0	2.13		2.10	2.07	2.04	2.01
5	2.72		2.69	2.67	2.62	2.58
6	2.76		2.73	2.70	2.67	2.63
10	2.94		2.91	2.89	2.85	2.82
15	3.20		3.17	3.14	3.11	3.08
20	3.43		3.41	3.39	3.35	3.32

Model SRK25ZSPR-S Cooling Mode (kW)

Air flow	Outdoor air temp. °CDB	Indoor air temp.													
		21°CDB		23°CDB		26°CDB		27°CDB		28°CDB		31°CDB		33°CDB	
		14°CWB	16°CWB	18°CWB	19°CWB	20°CWB	22°CWB	24°CWB	TC	SHC	TC	SHC	TC	SHC	TC
Hi 10.1 (m ³ /min)	10	2.82	2.36	2.95	2.32	3.06	2.42	3.11	2.39	3.16	2.36	3.26	2.46	3.34	2.39
	12	2.77	2.34	2.90	2.30	3.01	2.40	3.07	2.37	3.12	2.35	3.22	2.45	3.31	2.38
	14	2.71	2.31	2.85	2.27	2.97	2.39	3.03	2.36	3.08	2.33	3.18	2.43	3.28	2.37
	16	2.66	2.28	2.80	2.25	2.92	2.37	2.98	2.35	3.04	2.32	3.15	2.42	3.24	2.36
	18	2.60	2.26	2.74	2.23	2.88	2.35	2.94	2.33	2.99	2.31	3.11	2.41	3.20	2.35
	20	2.55	2.23	2.68	2.21	2.83	2.33	2.89	2.31	2.95	2.29	3.07	2.39	3.17	2.34
	22	2.49	2.20	2.63	2.18	2.78	2.31	2.84	2.29	2.90	2.27	3.02	2.38	3.13	2.32
	24	2.43	2.18	2.57	2.15	2.72	2.29	2.80	2.27	2.85	2.25	2.98	2.36	3.08	2.31
	26	2.37	2.14	2.51	2.13	2.67	2.27	2.74	2.25	2.80	2.23	2.93	2.35	3.04	2.29
	28	2.31	2.12	2.44	2.10	2.61	2.24	2.69	2.23	2.75	2.21	2.89	2.33	3.00	2.28
	30	2.24	2.09	2.38	2.07	2.56	2.22	2.64	2.21	2.70	2.19	2.84	2.31	2.95	2.27
	32	2.18	2.06	2.31	2.04	2.50	2.20	2.58	2.19	2.64	2.17	2.79	2.30	2.90	2.25
	34	2.11	2.03	2.25	2.01	2.44	2.18	2.53	2.17	2.59	2.15	2.74	2.28	2.85	2.24
	35	2.08	2.01	2.21	2.00	2.41	2.16	2.50	2.16	2.56	2.14	2.71	2.27	2.83	2.23
	36	2.04	1.99	2.18	1.98	2.38	2.15	2.47	2.14	2.53	2.13	2.69	2.26	2.80	2.22
	38	1.97	1.97	2.11	1.95	2.32	2.12	2.41	2.12	2.47	2.11	2.63	2.24	2.75	2.20
	39	1.94	1.94	2.07	1.94	2.28	2.11	2.38	2.11	2.44	2.10	2.61	2.23	2.72	2.20

Heating Mode(HC) (kW)

Air flow	Outdoor air temp. °CWB	Indoor air temp.				
		16°CDB	18°CDB	20°CDB	22°CDB	24°CDB
		Hi 9.5 (m ³ /min)	-15	1.72	1.69	1.65
-10	1.95		1.91	1.89	1.84	1.80
-5	2.11		2.08	2.04	2.02	1.98
0	2.21		2.18	2.14	2.12	2.09
5	2.82		2.79	2.77	2.72	2.68
6	2.87		2.83	2.80	2.76	2.73
10	3.04		3.02	3.00	2.96	2.93
15	3.31		3.28	3.26	3.23	3.20
20	3.56		3.53	3.52	3.48	3.45

Note(1) These data show average statuses.
Depending on the system control, there may be ranges where the operation is not conducted continuously.
These data show the case where the operation frequency of a compressor is fixed.

(2) Capacities are based on the following conditions.
Corresponding refrigerant piping length : 7m
Level difference of Zero.

(3) Symbols are as follows.
TC : Total cooling capacity (kW)
SHC : Sensible heat capacity (kW)
HC : Heating capacity (kW)

Model SRK35ZSPR-S

Cooling Mode

(kW)

Air flow	Outdoor air temp. °CDB	Indoor air temp													
		21°CDB		23°CDB		26°CDB		27°CDB		28°CDB		31°CDB		33°CDB	
		14°CWB	16°CWB	18°CWB	19°CWB	20°CWB	22°CWB	24°CWB	TC	SHC	TC	SHC	TC	SHC	TC
Hi 9.5 (m³/min)	10	3.61	2.75	3.77	2.70	3.91	2.80	3.98	2.76	4.05	2.72	4.17	2.79	4.28	2.70
	12	3.54	2.72	3.71	2.67	3.86	2.77	3.93	2.73	4.00	2.70	4.12	2.77	4.24	2.68
	14	3.47	2.69	3.65	2.64	3.80	2.74	3.87	2.71	3.94	2.67	4.08	2.75	4.19	2.67
	16	3.40	2.65	3.58	2.61	3.74	2.72	3.82	2.68	3.89	2.64	4.03	2.74	4.15	2.65
	18	3.33	2.61	3.51	2.57	3.68	2.68	3.76	2.66	3.83	2.62	3.98	2.71	4.10	2.64
	20	3.26	2.58	3.44	2.54	3.62	2.66	3.70	2.63	3.78	2.60	3.92	2.69	4.05	2.61
	22	3.19	2.54	3.36	2.51	3.55	2.63	3.64	2.61	3.71	2.58	3.87	2.68	4.00	2.59
	24	3.11	2.50	3.29	2.47	3.49	2.60	3.58	2.58	3.65	2.56	3.81	2.64	3.95	2.58
	26	3.03	2.46	3.21	2.43	3.42	2.57	3.51	2.55	3.59	2.53	3.76	2.62	3.89	2.56
	28	2.95	2.42	3.13	2.39	3.35	2.54	3.45	2.53	3.52	2.50	3.70	2.61	3.84	2.55
	30	2.87	2.38	3.05	2.35	3.27	2.51	3.38	2.50	3.45	2.47	3.64	2.59	3.78	2.52
	32	2.79	2.34	2.96	2.32	3.20	2.48	3.31	2.47	3.38	2.45	3.57	2.56	3.72	2.51
	34	2.70	2.30	2.88	2.28	3.12	2.45	3.24	2.44	3.31	2.42	3.51	2.54	3.65	2.48
	35	2.66	2.27	2.83	2.26	3.08	2.43	3.20	2.43	3.28	2.40	3.47	2.52	3.62	2.47
	36	2.61	2.25	2.79	2.24	3.04	2.41	3.16	2.41	3.24	2.39	3.44	2.51	3.59	2.46
	38	2.52	2.21	2.70	2.20	2.96	2.38	3.09	2.38	3.16	2.36	3.37	2.49	3.52	2.44
	39	2.48	2.19	2.65	2.18	2.92	2.36	3.05	2.36	3.12	2.34	3.34	2.48	3.49	2.43

Heating Mode(HC)

(kW)

Air flow	Outdoor air temp. °CWB	Indoor air temp				
		16°CDB	18°CDB	20°CDB	22°CDB	24°CDB
		Hi 9.6 (m³/min)	-15	2.21	2.17	2.12
-10	2.51		2.46	2.43	2.37	2.32
-5	2.71		2.68	2.62	2.59	2.55
0	2.85		2.80	2.76	2.72	2.68
5	3.63		3.58	3.56	3.49	3.44
6	3.68		3.64	3.60	3.55	3.51
10	3.91		3.88	3.85	3.80	3.76
15	4.26		4.22	4.19	4.15	4.11
20	4.58		4.54	4.52	4.47	4.43

Model SRK45ZSPR-S

Cooling Mode

(kW)

Air flow	Outdoor air temp. °CDB	Indoor air temp													
		21 °CDB		23 °CDB		26 °CDB		27 °CDB		28 °CDB		31 °CDB		33 °CDB	
		14 °CWB	16 °CWB	18 °CWB	19 °CWB	20 °CWB	22 °CWB	24 °CWB	TC	SHC	TC	SHC	TC	SHC	TC
Hi 9.0 (m³/min)	10	5.07	3.57	5.31	3.52	5.50	3.58	5.59	3.53	5.69	3.47	5.86	3.50	6.02	3.36
	12	4.98	3.52	5.22	3.47	5.42	3.54	5.52	3.49	5.62	3.43	5.80	3.47	5.96	3.34
	14	4.88	3.47	5.13	3.42	5.34	3.50	5.45	3.45	5.55	3.40	5.73	3.43	5.90	3.31
	16	4.79	3.41	5.03	3.37	5.26	3.45	5.37	3.41	5.47	3.36	5.66	3.41	5.83	3.29
	18	4.69	3.35	4.93	3.31	5.18	3.41	5.29	3.37	5.39	3.32	5.59	3.38	5.77	3.26
	20	4.59	3.30	4.83	3.26	5.09	3.36	5.20	3.32	5.31	3.28	5.52	3.34	5.70	3.23
	22	4.48	3.23	4.73	3.20	5.00	3.31	5.12	3.28	5.22	3.24	5.44	3.31	5.63	3.20
	24	4.37	3.18	4.62	3.14	4.90	3.27	5.03	3.24	5.14	3.20	5.36	3.27	5.55	3.17
	26	4.26	3.11	4.51	3.08	4.80	3.22	4.94	3.20	5.05	3.16	5.28	3.24	5.48	3.14
	28	4.15	3.05	4.40	3.02	4.70	3.17	4.85	3.15	4.95	3.12	5.20	3.20	5.40	3.10
	30	4.04	2.98	4.28	2.96	4.60	3.12	4.75	3.11	4.86	3.07	5.11	3.16	5.31	3.08
	32	3.92	2.92	4.16	2.90	4.50	3.06	4.65	3.06	4.76	3.02	5.02	3.13	5.23	3.04
	34	3.80	2.85	4.04	2.84	4.39	3.02	4.55	3.01	4.66	2.98	4.93	3.09	5.14	3.01
	35	3.74	2.82	3.98	2.80	4.34	2.99	4.50	2.99	4.61	2.96	4.88	3.07	5.09	3.00
	36	3.67	2.79	3.92	2.78	4.28	2.96	4.45	2.96	4.55	2.93	4.84	3.05	5.05	2.98
	38	3.55	2.72	3.79	2.71	4.17	2.91	4.34	2.92	4.45	2.89	4.74	3.01	4.95	2.94
	39	3.48	2.69	3.73	2.68	4.11	2.88	4.29	2.89	4.39	2.86	4.69	2.99	4.90	2.92

Heating Mode(HC)

(kW)

Air flow	Outdoor air temp. °CWB	Indoor air temp				
		16°C DB	18°C DB	20°C DB	22°C DB	24°C DB
		Hi 12.0 (m³/min)	-15	3.08	3.01	2.94
-10	3.48		3.42	3.37	3.29	3.22
-5	3.77		3.72	3.64	3.60	3.54
0	3.95		3.89	3.83	3.78	3.73
5	5.04		4.98	4.95	4.85	4.78
6	5.12		5.06	5.00	4.94	4.88
10	5.44		5.38	5.35	5.28	5.23
15	5.92		5.87	5.82	5.76	5.71
20	6.36		6.31	6.28	6.21	6.16

- Note(1) These data show average statuses.
Depending on the system control, there may be ranges where the operation is not conducted continuously.
These data show the case where the operation frequency of a compressor is fixed.
- (2) Capacities are based on the following conditions.
Corresponding refrigerant piping length :7m
Level difference of Zero.
- (3) Symbols are as follows.
TC : Total cooling capacity (kW)
SHC : Sensible heat capacity (kW)
HC : Heating capacity (kW)

Model SRK63ZSPR-S

Air flow		Outdoor air temp. °CDB		Cooling Mode (kW)													
				Indoor air temp.													
				21 °CDB		23 °CDB		26 °CDB		27 °CDB		28 °CDB		31 °CDB		33 °CDB	
				14 °CWB		16 °CWB		18 °CWB		19 °CWB		20 °CWB		22 °CWB		24 °CWB	
		TC	SHC	TC	SHC	TC	SHC	TC	SHC	TC	SHC	TC	SHC	TC	SHC		
Hi 20.5 (m³/min)	10	7.10	5.84	7.43	5.74	7.70	5.98	7.83	5.91	7.97	5.84	8.20	6.05	8.42	5.87		
	12	6.97	5.77	7.30	5.69	7.59	5.94	7.73	5.87	7.87	5.80	8.11	6.02	8.34	5.85		
	14	6.84	5.71	7.18	5.62	7.48	5.88	7.62	5.82	7.77	5.75	8.02	5.98	8.26	5.82		
	16	6.70	5.64	7.04	5.56	7.37	5.84	7.52	5.78	7.66	5.71	7.93	5.94	8.17	5.79		
	18	6.56	5.58	6.91	5.50	7.25	5.79	7.40	5.73	7.55	5.67	7.83	5.91	8.08	5.77		
	20	6.42	5.50	6.77	5.44	7.12	5.74	7.29	5.69	7.43	5.63	7.73	5.88	7.98	5.74		
	22	6.28	5.43	6.62	5.37	6.99	5.69	7.17	5.64	7.31	5.58	7.62	5.84	7.88	5.67		
	24	6.12	5.36	6.47	5.30	6.86	5.62	7.04	5.60	7.19	5.54	7.51	5.80	7.77	5.63		
	26	5.97	5.29	6.32	5.24	6.73	5.57	6.92	5.54	7.06	5.48	7.40	5.73	7.67	5.60		
	28	5.81	5.21	6.16	5.17	6.59	5.52	6.79	5.49	6.93	5.44	7.28	5.69	7.55	5.57		
	30	5.65	5.14	6.00	5.09	6.44	5.46	6.65	5.44	6.80	5.39	7.16	5.65	7.44	5.53		
	32	5.49	5.06	5.83	5.02	6.30	5.40	6.51	5.38	6.66	5.34	7.03	5.61	7.32	5.50		
	34	5.32	4.99	5.66	4.95	6.15	5.33	6.37	5.33	6.52	5.29	6.90	5.57	7.19	5.46		
	35	5.23	4.95	5.57	4.92	6.07	5.30	6.30	5.29	6.45	5.26	6.84	5.55	7.13	5.44		
	36	5.14	4.90	5.49	4.88	5.99	5.27	6.23	5.27	6.38	5.22	6.77	5.52	7.06	5.42		
	38	4.97	4.82	5.31	4.80	5.83	5.21	6.08	5.21	6.23	5.17	6.64	5.48	6.93	5.38		
	39	4.88	4.78	5.22	4.76	5.75	5.18	6.00	5.18	6.15	5.14	6.57	5.46	6.87	5.36		

Air flow		Outdoor air temp. °CWB		Heating Mode (HC) (kW)				
				Indoor air temp.				
				16°C DB	18°C DB	20°C DB	22°C DB	24°C DB
Hi 23.5 (m³/min)	-15	4.37	4.27	4.17	4.09	4.00		
	-10	4.94	4.86	4.79	4.67	4.57		
	-5	5.35	5.28	5.17	5.11	5.03		
	0	5.61	5.53	5.43	5.37	5.29		
	5	7.15	7.07	7.03	6.89	6.79		
	6	7.27	7.18	7.10	7.01	6.93		
	10	7.72	7.65	7.60	7.50	7.42		
	15	8.40	8.33	8.27	8.18	8.10		
	20	9.03	8.96	8.92	8.81	8.74		

Model SRK71ZSPR-S

Air flow		Outdoor air temp. °CDB		Cooling Mode (kW)													
				Indoor air temp.													
				21 °CDB		23 °CDB		26 °CDB		27 °CDB		28 °CDB		31 °CDB		33 °CDB	
				14 °CWB		16 °CWB		18 °CWB		19 °CWB		20 °CWB		22 °CWB		24 °CWB	
		TC	SHC	TC	SHC	TC	SHC	TC	SHC	TC	SHC	TC	SHC	TC	SHC		
Hi 20.5 (m³/min)	10	8.00	6.34	8.37	6.23	8.68	6.46	8.83	6.38	8.98	6.30	9.24	6.48	9.49	6.29		
	12	7.86	6.26	8.23	6.17	8.56	6.41	8.71	6.33	8.87	6.25	9.15	6.45	9.40	6.26		
	14	7.71	6.19	8.09	6.09	8.43	6.36	8.59	6.28	8.75	6.21	9.04	6.41	9.31	6.23		
	16	7.55	6.11	7.94	6.02	8.30	6.29	8.47	6.23	8.63	6.15	8.93	6.37	9.21	6.20		
	18	7.40	6.04	7.78	5.95	8.17	6.24	8.34	6.17	8.51	6.10	8.82	6.33	9.10	6.17		
	20	7.24	5.96	7.62	5.88	8.03	6.18	8.21	6.12	8.38	6.05	8.71	6.29	8.99	6.13		
	22	7.07	5.87	7.46	5.81	7.88	6.12	8.08	6.07	8.24	6.00	8.59	6.25	8.88	6.09		
	24	6.90	5.79	7.29	5.72	7.73	6.06	7.94	6.01	8.10	5.95	8.46	6.21	8.76	6.06		
	26	6.73	5.71	7.12	5.65	7.58	5.99	7.79	5.96	7.96	5.89	8.33	6.16	8.64	6.02		
	28	6.55	5.62	6.94	5.57	7.42	5.92	7.65	5.89	7.81	5.83	8.20	6.12	8.51	5.98		
	30	6.37	5.54	6.76	5.49	7.26	5.85	7.50	5.83	7.66	5.77	8.07	6.06	8.38	5.92		
	32	6.18	5.44	6.57	5.40	7.10	5.79	7.34	5.77	7.51	5.71	7.92	6.01	8.25	5.88		
	34	5.99	5.35	6.38	5.31	6.93	5.72	7.18	5.70	7.35	5.65	7.78	5.96	8.11	5.84		
	35	5.90	5.31	6.28	5.27	6.84	5.68	7.10	5.67	7.27	5.62	7.71	5.93	8.03	5.81		
	36	5.80	5.26	6.18	5.23	6.75	5.65	7.02	5.64	7.19	5.59	7.63	5.91	7.96	5.79		
	38	5.60	5.17	5.98	5.14	6.58	5.57	6.85	5.58	7.02	5.53	7.48	5.86	7.81	5.75		
	39	5.50	5.13	5.88	5.10	6.48	5.53	6.76	5.54	6.93	5.50	7.40	5.83	7.74	5.72		

Air flow		Outdoor air temp. °CWB		Heating Mode (HC) (kW)				
				Indoor air temp.				
				16°C DB	18°C DB	20°C DB	22°C DB	24°C DB
Hi 25.5 (m³/min)	-15	4.92	4.82	4.70	4.61	4.50		
	-10	5.57	5.47	5.40	5.26	5.15		
	-5	6.03	5.94	5.82	5.76	5.67		
	0	6.32	6.23	6.12	6.05	5.96		
	5	8.06	7.96	7.92	7.76	7.65		
	6	8.19	8.09	8.00	7.90	7.80		
	10	8.70	8.62	8.56	8.45	8.36		
	15	9.47	9.38	9.32	9.21	9.13		
	20	10.17	10.09	10.05	9.93	9.85		

Model SRK80ZSPR-S

Air flow		Outdoor air temp. °CDB		Cooling Mode (kW)													
				Indoor air temp.													
				21 °CDB		23 °CDB		26 °CDB		27 °CDB		28 °CDB		31 °CDB		33 °CDB	
				14 °CWB		16 °CWB		18 °CWB		19 °CWB		20 °CWB		22 °CWB		24 °CWB	
		TC	SHC	TC	SHC	TC	SHC	TC	SHC	TC	SHC	TC	SHC	TC	SHC		
Hi 23.5 (m³/min)	10	9.01	7.27	9.43	7.15	9.78	7.44	9.95	7.34	10.12	7.25	10.42	7.49	10.70	7.28		
	12	8.85	7.18	9.28	7.08	9.64	7.38	9.82	7.29	9.99	7.20	10.30	7.45	10.59	7.25		
	14	8.68	7.10	9.11	7.00	9.50	7.31	9.68	7.23	9.86	7.14	10.19	7.40	10.49	7.20		
	16	8.51	7.02	8.94	6.92	9.35	7.25	9.54	7.17	9.72	7.09	10.07	7.36	10.37	7.16		
	18	8.34	6.93	8.77	6.85	9.20	7.19	9.40	7.12	9.58	7.04	9.94	7.31	10.25	7.12		
	20	8.15	6.84	8.59	6.76	9.04	7.12	9.25	7.06	9.44	6.98	9.81	7.27	10.13	7.08		
	22	7.97	6.75	8.41	6.67	8.88	7.05	9.10	7.00	9.29	6.92	9.68	7.22	10.00	7.04		
	24	7.78	6.66	8.22	6.58	8.71	6.98	8.94	6.93	9.13	6.86	9.54	7.17	9.87	7.00		
	26	7.58	6.57	8.02	6.50	8.54	6.91	8.78	6.87	8.97	6.80	9.39	7.12	9.73	6.90		
	28	7.38	6.47	7.82	6.41	8.36	6.84	8.62	6.80	8.81	6.73	9.24	7.06	9.59	6.90		
	30	7.18	6.37	7.62	6.32	8.18	6.76	8.45	6.73	8.64	6.67	9.09	7.01	9.44	6.86		
	32	6.97	6.28	7.40	6.23	8.00	6.69	8.27	6.66	8.46	6.60	8.93	6.96	9.29	6.81		
	34	6.75	6.18	7.19	6.13	7.81	6.61	8.09	6.59	8.28	6.54	8.77	6.90	9.13	6.76		
	35	6.64	6.13	7.08	6.08	7.71	6.57	8.00	6.56	8.19	6.50	8.68	6.87	9.05	6.73		
	36	6.53	6.08	6.97	6.04	7.61	6.53	7.91	6.52	8.10	6.47	8.60	6.84	8.97	6.71		
	38	6.31	5.97	6.74	5.94	7.41	6.45	7.72	6.45	7.91	6.40	8.43	6.78	8.80	6.65		
	39	6.20	5.92	6.62	5.89	7.31	6.41	7.62	6.41	7.81	6.36	8.34	6.75	8.72	6.63		

Air flow		Outdoor air temp. °CWB		Heating Mode (HC) (kW)				
				Indoor air temp.				
				16°C DB	18°C DB	20°C DB	22°C DB	24°C DB
Hi 26.5 (m³/min)	-15	5.54	5.42	5.29	5.18	5.06		
	-10	6.27	6.15	6.07	5.92	5.79		
	-5	6.79	6.69	6.55	6.48	6.37		
	0	7.12	7.01	6.89	6.81	6.71		
	5	9.06	8.96	8.91	8.73	8.61		
	6	9.21	9.10	9.00	8.89	8.78		
	10	9.79	9.69	9.63	9.50	9.41		
	15	10.65	10.56	10.48	10.37	10.27		
	20	11.45	11.35	11.30	11.17	11.08		

Note(1) These data show average statuses.
Depending on the system control, there may be ranges where the operation is not conducted continuously.
These data show the case where the operation frequency of a compressor is fixed.

(2) Capacities are based on the following conditions.
Corresponding refrigerant piping length :7m
Level difference of Zero.

(3) Symbols are as follows.
TC : Total cooling capacity (kW)
SHC : Sensible heat capacity (kW)
HC : Heating capacity (kW)

8. APPLICATION DATA

(1) Models SRK20ZSPR-S, 25ZSPR-S, 35ZSPR-S, 45ZSPR-S

- While install the unit, be sure to check the selection of installation place, power source specifications, usage limitation (piping length, height differences between indoor and outdoor units, power source voltage etc.) and installation spaces.

RLC012A011

WALL TYPE AIR-CONDITIONER
R410A REFRIGERANT USED

SAFETY PRECAUTIONS




- Before installation, read the "SAFETY PRECAUTIONS" carefully and strictly follow it during the installation work in order to protect yourself.
 - The precautionary items mentioned below are distinguished into two levels, **⚠ WARNING** and **⚠ CAUTION**.
 - **⚠ WARNING** : Wrong installation would cause serious consequences such as injuries or death.
 - **⚠ CAUTION** : Wrong installation might cause serious consequences depending on circumstances.
 - Both mention the important items to protect your health and safety so strictly follow them by any means.
 - Be sure to confirm no anomaly on the equipment by commissioning after completing installation and explain the operating methods as well as the maintenance methods of this equipment to the user according to the owner's manual.
 - Keep the installation manual together with owner's manual at a place where any user can read at any time.
- Moreover if necessary, ask to hand them to a new user.
- Before starting the installation work, proper precautions (using suitable protective clothing, gloves etc.) should be taken by qualified installer.
 - Pay attention not to fall down the tools, etc., when installing the unit at the high position.
 - If unusual noise can be heard during operation, consult the dealer.
 - The meanings of "Marks" used here are shown as follows:

	Never do it under any circumstances.
	Always do it according to the instruction.

⚠ WARNING

<p>ⓘ</p> <p>Installation must be carried out by the qualified installer. If you install the system by yourself, it may cause serious trouble such as water leaks, electric shocks, fire and personal injury, as a result of a system malfunction. Do not carry out the installation and maintenance work except the by qualified installer.</p> <p>Install the system in full accordance with the installation manual. Incorrect installation may cause bursts, personal injury, water leaks, electric shocks and fire.</p> <p>Be sure to use only for household and residence. If this appliance is installed in inferior environment such as machine shop etc., it can cause malfunction.</p> <p>Use the original accessories and the specified components for installation. If parts other than those prescribed by us are used, it may cause water leaks, electric shocks, fire and personal injury.</p> <p>Install the unit in a location with good support. Unsuitable installation locations can cause the unit to fall resulting in material damage and personal injury.</p> <p>Ensure the unit is stable when installed, so that it can withstand earthquakes and strong winds. Unsuitable installation locations can cause the unit to fall and cause material damage and personal injury.</p> <p>Ventilate the working area well in the event of refrigerant leakage during installation. If the density of refrigerant exceeds the limit, consult the dealer and install the ventilation system, otherwise lack of oxygen can occur, which can cause serious accident.</p> <p>When installing in small rooms, take prevention measures not to exceed the density limit of refrigerant in the event of leakage, referred by the formula (accordance with ISO5149). If the density of refrigerant exceeds the limit, consult the dealer and install the ventilation system, otherwise lack of oxygen can occur, which can cause serious accident.</p>	<p>3mm.</p> <ul style="list-style-type: none"> • When plugging this appliance, a plug conforming to the norm IEC60884-1 must be used. • Use the prescribed cables for electrical connection, tighten the cables securely in terminal block and relieve the cables correctly to prevent overloading the terminal blocks. <p>Loose connections or cable mountings can cause anomalous heat production or fire.</p> <ul style="list-style-type: none"> • Arrange the wiring in the control box so that it cannot be pushed up further into the box. Install the service panel correctly. <p>Incorrect installation may result in overheating and fire.</p> <ul style="list-style-type: none"> • Be sure to fix up the service panels. <p>Incorrect fixing can cause electric shocks or fire due to intrusion of dust or water.</p> <ul style="list-style-type: none"> • Be sure to switch off the power source in the event of installation, inspection or servicing. <p>If the power source is not shut off, there is a risk of electric shocks, unit failure or personal injury due to the unexpected start of fan.</p> <ul style="list-style-type: none"> • Stop the compressor before removing the pipe after shutting the service valve on pump down work. <p>air would be mixed in the refrigeration circuit and it could cause explosion and injuries due to abnormal high pressure in the cooling cycle.</p> <ul style="list-style-type: none"> • Only use prescribed option parts. The installation must be carried out by the qualified installer. <p>If you install the system by yourself, it can cause serious trouble such as water leaks, electric shocks, fire.</p> <ul style="list-style-type: none"> • Be sure to wear protective goggles and gloves while at work. • Earth leakage breaker must be installed. <p>If the earth leakage breaker is not installed, it can cause electric shocks.</p>	<p>⊘</p> <ul style="list-style-type: none"> • Do not vent R410A into the atmosphere : R410A is a fluorinated greenhouse gas, covered by the Kyoto Protocol with Global Warming Potential (GWP)=1975. • Do not run the unit with removed panels or protections. <p>Touching rotating equipments, hot surfaces or high voltage parts can cause personal injury due to entrapment, burn or electric shocks.</p> <ul style="list-style-type: none"> • Do not perform any change of protective device itself or its setup condition. <p>The forced operation by short-circuiting protective device of pressure switch and temperature control or the use of non specified component can cause fire or burst</p>
<p>ⓘ</p> <p>After completing installation, check that no refrigerant leaks from the system. If refrigerant leaks into the room and comes into contact with an oven or other hot surface, poisonous gas is produced.</p> <p>Use the prescribed pipes, flare nuts and tools for R410A. Using existing parts (for R22 or R407C) can cause the unit failure and serious accidents due to burst of the refrigerant circuit.</p> <p>Tighten the flare nuts by torque wrench with specified method. If the flare nut were tightened with excess torque, this may cause burst and refrigerant leakage after a long period.</p> <p>Do not open the service valves for liquid line and gas line until completed refrigerant piping work, air tightness test and evacuation. If the compressor is operated in state of opening service valves before completing connection of refrigerant piping work, air can be sucked into refrigerant circuit, which can cause burst or personal injury due to anomalously high pressure in the refrigerant.</p> <p>The electrical installation must be carried out by the qualified electrician in accordance with "the norm for electrical work" and "national wiring regulation", and the system must be connected to the dedicated circuit. Power source with insufficient capacity and incorrect function done by improper work can cause electric shocks and fire.</p> <p>Be sure to shut off the power before starting electrical work. Failure to shut off the power can cause electric shocks, unit failure or incorrect function of equipment.</p> <p>Be sure to use the cables conformed to safety standard and cable ampacity for power distribution work. Unconformable cables can cause electric leak, anomalous heat production or fire.</p> <p>This appliance must be connected to main power source by means of a circuit breaker or switch (fuse:16A) with a contact separation of at least</p>	<p>ⓘ</p> <p>After completing installation, check that no refrigerant leaks from the system. If refrigerant leaks into the room and comes into contact with an oven or other hot surface, poisonous gas is produced.</p> <p>Use the prescribed pipes, flare nuts and tools for R410A. Using existing parts (for R22 or R407C) can cause the unit failure and serious accidents due to burst of the refrigerant circuit.</p> <p>Tighten the flare nuts by torque wrench with specified method. If the flare nut were tightened with excess torque, this may cause burst and refrigerant leakage after a long period.</p> <p>Do not open the service valves for liquid line and gas line until completed refrigerant piping work, air tightness test and evacuation. If the compressor is operated in state of opening service valves before completing connection of refrigerant piping work, air can be sucked into refrigerant circuit, which can cause burst or personal injury due to anomalously high pressure in the refrigerant.</p> <p>The electrical installation must be carried out by the qualified electrician in accordance with "the norm for electrical work" and "national wiring regulation", and the system must be connected to the dedicated circuit. Power source with insufficient capacity and incorrect function done by improper work can cause electric shocks and fire.</p> <p>Be sure to shut off the power before starting electrical work. Failure to shut off the power can cause electric shocks, unit failure or incorrect function of equipment.</p> <p>Be sure to use the cables conformed to safety standard and cable ampacity for power distribution work. Unconformable cables can cause electric leak, anomalous heat production or fire.</p> <p>This appliance must be connected to main power source by means of a circuit breaker or switch (fuse:16A) with a contact separation of at least</p>	<p>⊘</p> <p>Do not put the drainage pipe directly into drainage channels where poisonous gases such as sulphide gas can occur. Poisonous gases will flow into the room through drainage pipe and seriously affect the user's health and safety. This can also cause the corrosion of the indoor unit and a resultant unit failure or refrigerant leak.</p> <ul style="list-style-type: none"> • Ensure that no air enters in the refrigerant circuit when the unit is installed and removed. <p>If air enters in the refrigerant circuit, the pressure in the refrigerant circuit becomes too</p>
<p>ⓘ</p> <p>After completing installation, check that no refrigerant leaks from the system. If refrigerant leaks into the room and comes into contact with an oven or other hot surface, poisonous gas is produced.</p> <p>Use the prescribed pipes, flare nuts and tools for R410A. Using existing parts (for R22 or R407C) can cause the unit failure and serious accidents due to burst of the refrigerant circuit.</p> <p>Tighten the flare nuts by torque wrench with specified method. If the flare nut were tightened with excess torque, this may cause burst and refrigerant leakage after a long period.</p> <p>Do not open the service valves for liquid line and gas line until completed refrigerant piping work, air tightness test and evacuation. If the compressor is operated in state of opening service valves before completing connection of refrigerant piping work, air can be sucked into refrigerant circuit, which can cause burst or personal injury due to anomalously high pressure in the refrigerant.</p> <p>The electrical installation must be carried out by the qualified electrician in accordance with "the norm for electrical work" and "national wiring regulation", and the system must be connected to the dedicated circuit. Power source with insufficient capacity and incorrect function done by improper work can cause electric shocks and fire.</p> <p>Be sure to shut off the power before starting electrical work. Failure to shut off the power can cause electric shocks, unit failure or incorrect function of equipment.</p> <p>Be sure to use the cables conformed to safety standard and cable ampacity for power distribution work. Unconformable cables can cause electric leak, anomalous heat production or fire.</p> <p>This appliance must be connected to main power source by means of a circuit breaker or switch (fuse:16A) with a contact separation of at least</p>	<p>ⓘ</p> <p>After completing installation, check that no refrigerant leaks from the system. If refrigerant leaks into the room and comes into contact with an oven or other hot surface, poisonous gas is produced.</p> <p>Use the prescribed pipes, flare nuts and tools for R410A. Using existing parts (for R22 or R407C) can cause the unit failure and serious accidents due to burst of the refrigerant circuit.</p> <p>Tighten the flare nuts by torque wrench with specified method. If the flare nut were tightened with excess torque, this may cause burst and refrigerant leakage after a long period.</p> <p>Do not open the service valves for liquid line and gas line until completed refrigerant piping work, air tightness test and evacuation. If the compressor is operated in state of opening service valves before completing connection of refrigerant piping work, air can be sucked into refrigerant circuit, which can cause burst or personal injury due to anomalously high pressure in the refrigerant.</p> <p>The electrical installation must be carried out by the qualified electrician in accordance with "the norm for electrical work" and "national wiring regulation", and the system must be connected to the dedicated circuit. Power source with insufficient capacity and incorrect function done by improper work can cause electric shocks and fire.</p> <p>Be sure to shut off the power before starting electrical work. Failure to shut off the power can cause electric shocks, unit failure or incorrect function of equipment.</p> <p>Be sure to use the cables conformed to safety standard and cable ampacity for power distribution work. Unconformable cables can cause electric leak, anomalous heat production or fire.</p> <p>This appliance must be connected to main power source by means of a circuit breaker or switch (fuse:16A) with a contact separation of at least</p>	<p>⊘</p> <p>Do not put the drainage pipe directly into drainage channels where poisonous gases such as sulphide gas can occur. Poisonous gases will flow into the room through drainage pipe and seriously affect the user's health and safety. This can also cause the corrosion of the indoor unit and a resultant unit failure or refrigerant leak.</p> <ul style="list-style-type: none"> • Ensure that no air enters in the refrigerant circuit when the unit is installed and removed. <p>If air enters in the refrigerant circuit, the pressure in the refrigerant circuit becomes too</p>

⚠ CAUTION

	• Carry out the electrical work for ground lead with care. Do not connect the ground lead to the gas line, water line, lightning conductor or telephone line's ground lead. Incorrect grounding can cause unit faults such as electric shocks due to short-circuiting.	
	• Use the circuit breaker for all pole correct capacity. Circuit breaker should be able to disconnect all poles under over current. Using the incorrect one could cause the system failure and fire. • Install isolator or disconnected switch on the power source wiring in accordance with the local codes and regulations. The isolator should be locked in OFF state in accordance with EN60204-1. Be sure to install indoor unit properly according to instruction manual so that drainage can run off smoothly. Improper installation of indoor unit can cause dropping water into the room and damaging personal property. • Install the drainage pipe to run off drainage securely according to the installation manual. Incorrect installation of the drainage pipe can cause dropping water into the room and damaging personal property. • Be sure to install the drainage pipe with descending slope of 1/100 or more, and not to make traps and air-bleedings. Check if the drainage runs off securely during commissioning and ensure the space for:	<p>inspection and maintenance.</p> <ul style="list-style-type: none"> • After maintenance, all wiring, wiring ties and the like, should be returned to their original state and wiring route, and the necessary clearance from all metal parts should be secured. • Secure a space for installation, inspection and maintenance specified in the manual. • Take care when carrying the unit by hand. If the unit weighs more than 20kg, it must be carried by two or more persons. Do not carry by the plastic straps, always use the carry handle when carrying the unit by hand. Use gloves to minimize the risk of cuts by the aluminum fins. • Dispose of any packing materials correctly. Any remaining packing materials can cause personal injury as it contains nails and wood. And to avoid danger of suffocation, be sure to keep the plastic wrapper away from children and to dispose after tear it up. • For installation work, be careful not to get injured with the heat exchanger, <ul style="list-style-type: none"> • Locations where drainage cannot run off safely. • It can affect performance or function and etc. • Do not install the outdoor unit in the locations listed below. • Locations where discharged hot air or operating sound of the outdoor unit can bother neighborhood. • Locations where outlet air of the outdoor unit blows directly to plants. The outlet air can affect adversely to the plant etc. • Locations where vibration can be amplified and transmitted due to insufficient strength of structure. • Locations where vibration and operation sound generated by the outdoor unit can affect seriously (on the wall or at the place near bed room). • Locations where an equipment affected by high harmonics is placed (TV set or radio receiver is placed within 1m). • Locations where drainage cannot run off safely. • It can affect surrounding environment and cause a claim. • Do not install the unit near the location where leakage of combustible gases can occur. If leaked gases accumulate around the unit, it can cause fire. • Do not install the unit where corrosive gas (such as sulfuric acid gas etc.) or combustible gas (such as thinner and petroleum gases) can accumulate or collect, or where volatile combustible substances are handled. Corrosive gas can cause corrosion of heat exchanger, breakage of plastic parts and etc. And combustible gas can cause fire. • Do not use the indoor unit at the place where water splashes may occur such as in laundries. Since the indoor unit is not waterproof, it can cause electric shocks and fire. • Do not install nor use the system close to the equipment that generates electromagnetic fields or high frequency harmonics. Equipment such as inverters, standby generators, medical high frequency equipments and telecommunication equipments can affect the system, and cause malfunctions and breakdowns. The system can also affect medical equipment and telecommunication equipment, and obstruct its function or cause jamming.
	• Do not install the unit in the locations listed below. <ul style="list-style-type: none"> • Locations where carbon fiber, metal powder or any powder is floating. • Locations where any substances that can affect the unit such as sulphide gas, chloride gas, acid and alkaline can occur. • Vehicles and ships. • Locations where cosmetic or special sprays are often used. • Locations with direct exposure of oil mist and steam such as kitchen and machine plant. • Locations where any machines which generate high frequency harmonics are used. • Locations with salty atmospheres such as coastlines. • Locations with heavy snow (if installed, be sure to provide base frame and snow hood mentioned in the manual). • Locations where the unit is exposed to chimney smoke. • Locations at high altitude (more than 1000m high). • Locations with ammoniac atmospheres (e.g. organic fertilizer). • Locations with calcium chloride (e.g. snow melting agent). • Locations where heat radiation from other heat source can affect the unit. • Locations without good air circulation. • Locations with any obstacles which can prevent inlet and outlet air of the unit. • Locations where strong air blows against the air outlet of outdoor unit. • Locations where something located above the unit could fall. It can cause remarkable decrease in performance, corrosion and damage of components, malfunction and fire. • Do not install the indoor unit in the locations listed below (Be sure to install the indoor unit according to the installation manual for each model because each indoor unit has each limitation). <ul style="list-style-type: none"> • Locations with any obstacles which can prevent inlet and outlet air of the unit. • Locations where vibration can be amplified due to insufficient strength of structure. • Locations where the infrared receiver is exposed to the direct sunlight or the strong light beam (in case of the infrared specification unit). • Locations where an equipment affected by high harmonics is placed (TV set or radio receiver is placed within 1m). 	<p>piping flare portion or screws etc.</p> <ul style="list-style-type: none"> • Be sure to insulate the refrigerant pipes so as not to condense the ambient air moisture on them. Insufficient insulation can cause condensation, which can lead to moisture damage on the ceiling, floor, furniture and any other valuables. • When perform the air-conditioner operation (cooling or dehumidifying operation) in which ventilator is installed in the room. In this case, using the air-conditioner in parallel with the ventilator, there is the possibility that drain water may backflow in accordance with the room lapse into the negative pressure status. Therefore, set up the opening port such as incorporate the air into the room that may appropriate to ventilation (For example; Open the door a little). In addition, just as above, so set up the opening port if the room lapse into negative pressure status due to register of the wind for the high rise apartment etc. • Be sure to perform air tightness test by pressurizing with nitrogen gas after completed refrigerant piping work. If the density of refrigerant exceeds the limit in the event of refrigerant leakage in the small room, lack of oxygen can occur, which can cause serious accidents. • Do not place any variables which will be damaged by getting wet under the indoor unit. When the relative humidity is higher than 80% or drainage pipe is clogged, condensation or drainage water can drop and it can cause the damage of valuables. • Do not install the remote control at the direct sunlight. It can cause malfunction or deformation of the remote control. • Do not use the unit for special purposes such as storing foods, cooling precision instruments and preservation of animals, plants or art. It can cause the damage of the items. • Do not install the outdoor unit in a location where insects and small animals can inhabit. Insects and small animals can enter the electric parts and cause damage or fire. Instruct the user to keep the surroundings clean. • Do not use the base frame for outdoor unit which is corroded or damaged due to long periods of operation. Using an old and damaged base frame can cause the unit falling down and cause personal injury. • Do not use any materials other than a fuse with the correct rating in the location where fuses are to be used. Connecting the circuit with copper wire or other metal thread can cause unit failure and fire. • Do not touch any buttons with wet hands. This may cause electric shocks. • Do not touch any refrigerant pipes with your hands when the system is in operation. During operation the refrigerant pipes become extremely hot or extremely cold depending the operating condition, and it can cause burn injury or frost injury. • Do not touch the suction or aluminum fin on the outdoor unit. This may cause injury. • Do not put anything on the outdoor unit and operating unit. This may cause damage the objects or injury due to falling to the object. • Do not wash the inside of the air-conditioner. Water leakage and permanent damage may result. Electrical hazard exists.

Check before installation work

- Model name and power source
- Refrigerant piping length
- Piping, wiring and miscellaneous small parts

Standard accessories (installation kit)	
Qty	Accessories for indoor unit
1	Installation board (Attached to the rear of the indoor unit)
2	Wireless remote control
3	Remote control holder
4	Tapping screws (for installation board 64 X 25mm)

Accessories for outdoor unit	
Qty	Accessories for outdoor unit
5	Wood screws (for remote control holder ø3.5 X 16mm)
6	Battery [R03 (AAA, Micro) 1.5V]
7	Grommet
8	Drain elbow (Heat pump type only)

Necessary tools for the installation work

Qty	Necessary tools for the installation work
1	Plus headed driver (Designed specifically for R410A)
2	Knife
3	Saw
4	Tape measure (Designed specifically for R410A)
5	Hammer (Designed specifically for R410A)
6	Spanner wrench
7	Torque wrench (14.0-62.0N·m (1.4-6.2kgf·m))
8	Hole core drill (65mm in diameter) (Use when flare is made by using conventional flare tool)
9	Wrench key (Hexagon) [4m/1m]

SELECTION OF INSTALLATION LOCATION

(Install at location that meets the following conditions, after getting approval from the customer)

Indoor unit

- Where there is no obstructions to the air flow and where the cooled and heated air can be evenly distributed.
- A solid place where the unit or the wall will not vibrate.
- A place where there will be enough space for servicing. (Where space mentioned right can be secured)
- Where wiring and the piping work will be easy to conduct.
- The place where receiving part is not exposed to the direct rays of the sun or the strong rays of the street lighting.
- A place where it can be easily drained.
- A place separated at least 1m away from the TV or the radio. (To prevent interference to images and sounds.)
- Places where this unit is not affected by the high frequency equipment or electric equipment.
- Avoid installing this unit in place where there is much oil mist.
- Places where there is no electric equipment or household under the installing unit.
- Install the indoor unit on the wall where the height from the floor to the bottom of the unit is more than 1.8m.

Wireless remote control

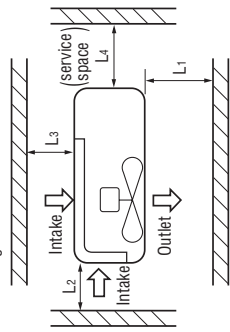
- A place where the air-conditioner can be received the signal surely during operating the wireless remote control.
- Places where there is no affected by the TV and radio etc.
- Do not place where exposed to direct sunlight or near heat devices such as a stove.

Outdoor unit

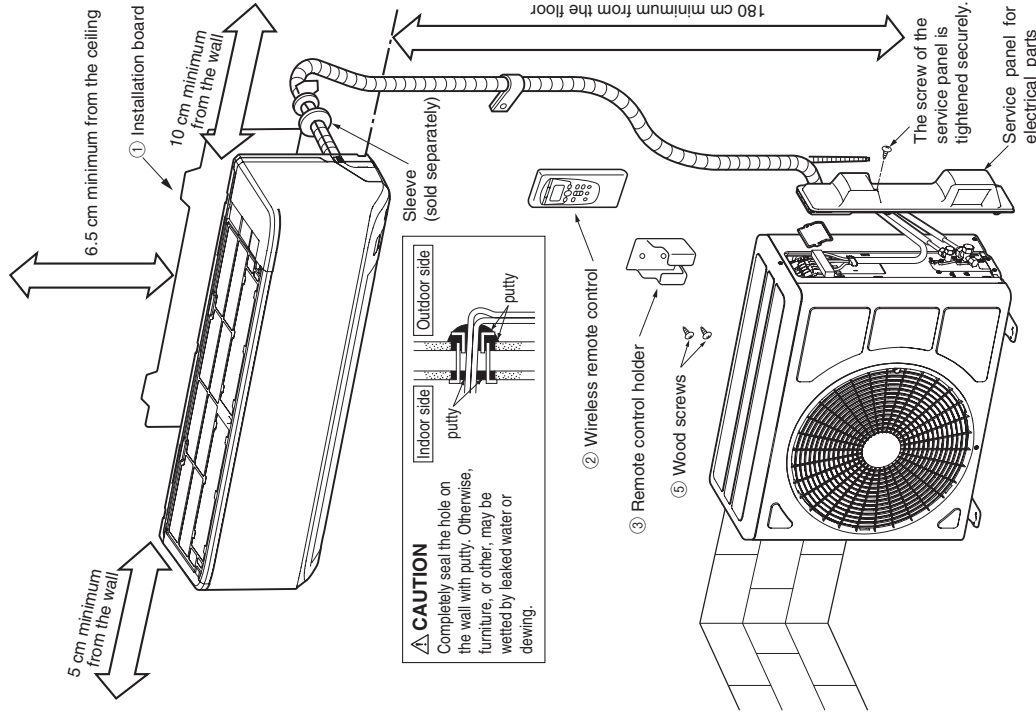
- Where air is not trapped.
- Where the installation fittings can be firmly installed.
- Where wind does not hinder the intake and outlet pipes.
- Out of the heat range of other heat sources.
- A place where stringent regulation of electric noises is not applicable.
- Where it is safe for the drain water to be discharged.
- Where noise and hot air will not bother neighboring residents.
- Where snow will not accumulate.
- Where strong winds will not blow against the outlet pipe.
- When the unit is installed, the space of the following dimension and above shall be secured.
(In case the barrier is 1.2m or above in height, or is overhead, the sufficient space between the unit and wall shall be secured.)

Do not install the unit in places which exposed to sea breeze (e.g. coastal area) or calcium chloride (e.g. snow melting agent), exposed to ammonia substance (e.g. organic fertilizer).

The height of a wall is 1200mm or less.



Size	Example installation				IV
	I	II	III	IV	
L1	Open	280	280	180	180
L2	100	100	Open	Open	Open
L3	100	80	80	80	80
L4	250	Open	250	Open	Open

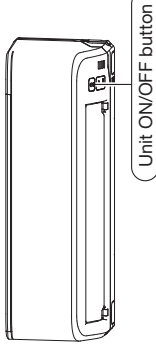


Limitation of the piping length

Model	SRK17-25, DXK05-09	SRK35, DXK12	SRK45, DXK15
Total one way length	MAX. 15m	MAX. 15m	MAX. 25m
Vertical height difference	MAX. 10m	MAX. 10m	MAX. 15m
Additional refrigerant	Less than 10m : Not required More than 10m : 20g/m	Not required	Less than 15m : Not required More than 15m : 20g/m

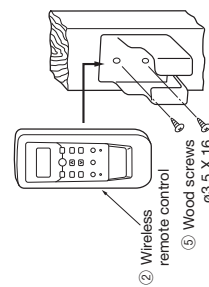
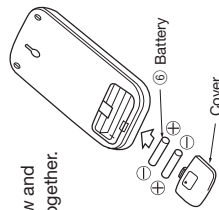
HOW TO RELOCATE OR DISPOSE OF THE UNIT

- In order to protect the environment, be sure to pump down (recovery of refrigerant).
- Pump down is the method of recovering refrigerant from the indoor unit to the outdoor unit when the pipes are removed from the unit.
- How to pump down>
 - ① Connect charge hose to check joint.
 - ② Liquid side : Close the liquid valve with hexagon wrench key.
Gas side : Fully open the gas valve.
Carry out cooling operation. (If indoor temperature is low, operate forced cooling operation.)
 - ③ After low pressure gauge become 0.01MPa, stop cooling operation and close the gas valve.
- Forced cooling operation
Turn off power source. Turn on power source again after a while. Then, press the ON/OFF button continuously for at least 5 seconds. (The operation will start.)



INSTALLATION OF WIRELESS REMOTE CONTROL

- Mounting method of battery
 - ① Pull out the cover and mount the batteries [R03 (AAA, Micro), × 2 pieces] in the body regularly. (Fit the poles with the indication marks, ⊕ & ⊖ without fail)
 - ② Do not use new and old batteries together.
- Fixing to pillar or wall
 - ① Conventionally, operate the wireless remote control by holding in your hand.
 - ② Avoid installing it on a clay wall etc.

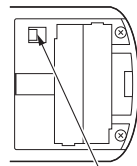


INSTALLING TWO AIR-CONDITIONERS IN THE SAME ROOM

When two air-conditioners are installed in the same room, use this setting when the two air-conditioners are not operated with one wireless remote control. Set the remote control and indoor unit.

Setting the wireless remote control

- ① Pull out the cover and take out batteries.
- ② Disconnect the switching line next to the battery with wire cutters.

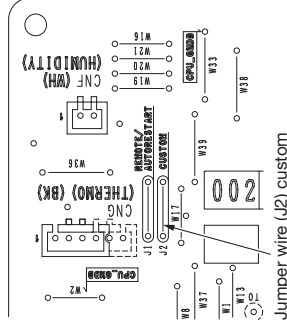


Disconnect

- ③ Insert batteries. Close the cover.

Setting an indoor unit

- ① Remove the air inlet panel, lid and front panel.
- ② Remove the control cover. (Remove the screw.)
- ③ Cut jumper wire J2 (marked CUSTOM on the PCB) on the indoor control board. Do not allow the cut wires to contact any other wiring.
- ④ Install the control box, lid and front panel.

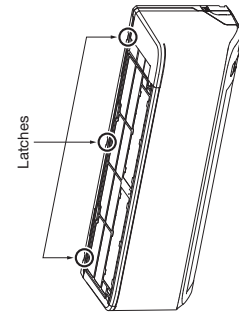
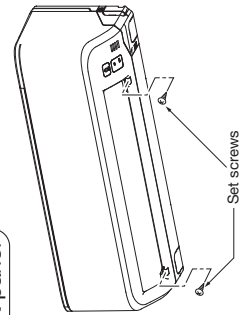


EARTHING WORK

- Earth work shall be carried out without fail in order to prevent electric shock and noise generation.
- The connection of the earth cable to the following substances causes dangerous failures, therefore it shall never be done.
City water pipe, Town gas pipe, TV antenna, lightning conductor, telephone line, etc.

How to remove and install the front panel

- Removing
 - ① Remove the 2 set screws.
 - ② Remove the 3 latches in the upper section. And take off the front panel.
- Installing
 - ① Cover the body with the front panel. And lock the latches (on the base).
 - ② Tighten the 2 set screws.
 - ③ Carry out in the above order.

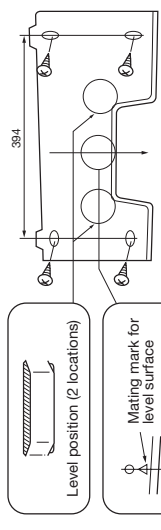


INSTALLATION OF INDOOR UNIT

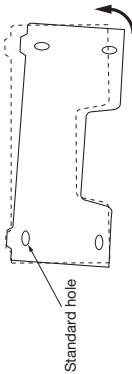
Installation of installation board

Fixing of installation board

Look for the inside wall structures (intermediate support or pillar and firmly install the unit after level surface has been checked.)

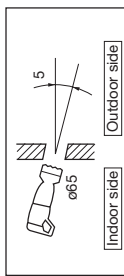


- Adjustment of the installation board in the horizontal direction is to be conducted with four screws in a temporary tightened state.
- Adjust so the board will be level by turning the board with the standard hole as the center.

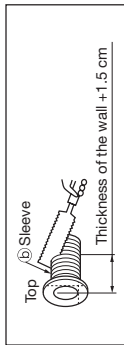


Drilling of hole and fixture of sleeve (Locally procured parts)

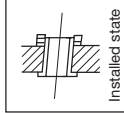
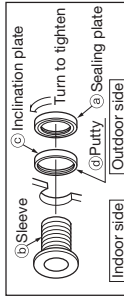
When drilling the wall that contains a metal lath, wire lath or metal plate, be sure to use pipe hole sleeve sold separately.



- Drill a hole with whole core drill.



- In case of rear piping draw out, cut off the lower and the right side portions of the sleeve collar.



Preparation of indoor unit

Mounting of connecting wires

- ① Remove the lid.
- ② Remove the terminal cover.
- ③ Remove the wiring clamp.
- ④ Connect the connecting wire securely to the terminal block. If the wire is not affixed completely, contact will be poor, and it is dangerous as the terminal block may heat up and catch fire.
- ⑤ Fix the connecting wire by wiring clamp.
- ⑥ Attach the terminal cover.
- ⑦ Attach the lid.

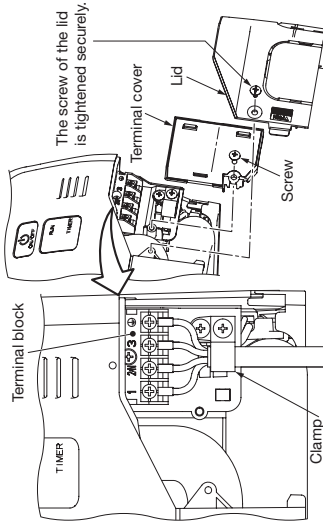
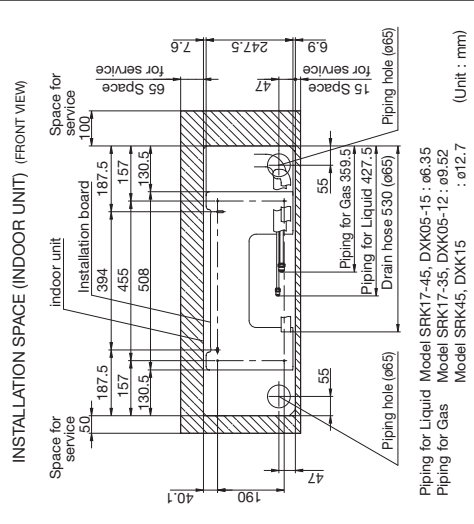
In case of faulty wiring connection, indoor unit does not operate. Then, run lamp turns on and timer lamp blinks.

Use cables for interconnection wiring to avoid loosening of the wires. CENELEC code for cables Required field cables.

H05RN4G1.5 (Example) or 245ICE57

- H Harmonized cable type
- 05 300/500 volts
- R Natural-and/or synth. rubber wire insulation
- N Polychloroprene rubber conductors insulation
- R Stranded core
- 4 or 5 Number of conductors
- G One conductor of the cable is the earth conductor (yellow/green)
- 1.5 Section of copper wire (mm²)

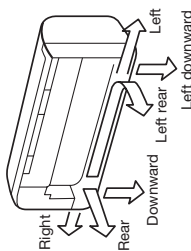
Relation between setting plate and indoor unit



- Perform wiring, take care of connecting the terminal number of outdoor unit terminal block.

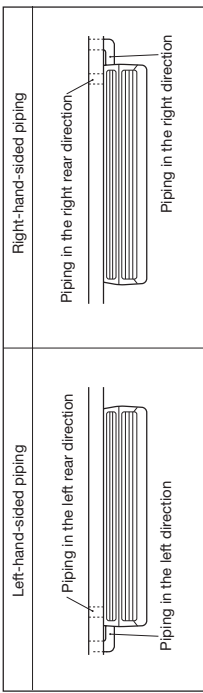
Installing the support of piping

Piping is possible in the rear, left rear, left downward, right or downward direction.

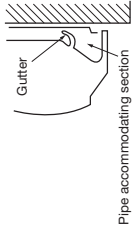


● Matters of special notice when piping from left or central/rear of the unit.

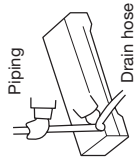
[Top view]



Since this air-conditioner has been designed to collect dew drops on the rear surface to the drain pan, do not attach the power cord above the gutter.



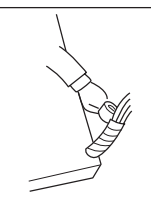
Shaping of pipings



- Hold the bottom of the piping and fix direction before stretching it and shaping it.
- Always tape the wiring with the piping.

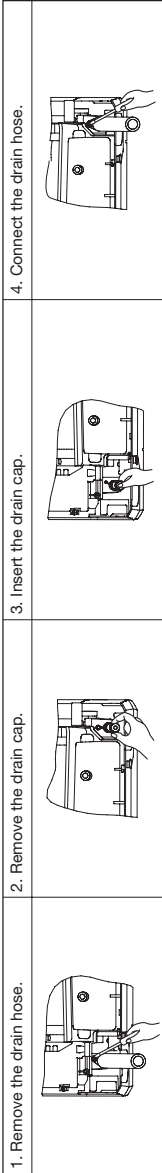
Sufficient care must be taken not to damage the panel when connecting pipes.

Taping of the exterior



- Tape only the portion that goes through the wall.
- Always tape the wiring with the piping.

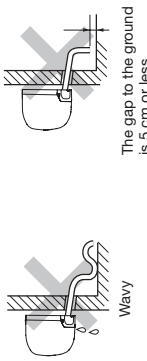
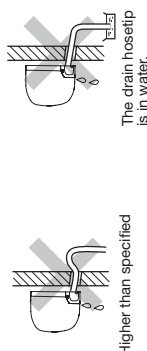
[Drain hose changing procedures]



- Remove the screw and drain hose, making it rotate.
 - Remove it with hand or pliers.
 - Insert the drain cap which was removed at procedure "2" securely using a hexagonal wrench etc.
 - Insert the drain hose securely, making it rotate. And install the screw.
- Note: Be careful that if it is not inserted securely, water leakage may occur.

Drainage

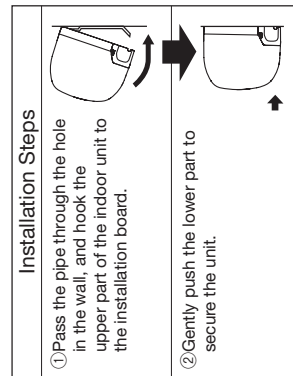
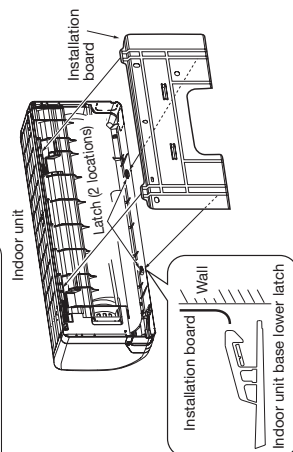
- Arrange the drain hose in a downward angle.
- Avoid the following drain piping.



CAUTION
Go through all installation steps and check if the drainage is all right. Otherwise, water leak may occur.

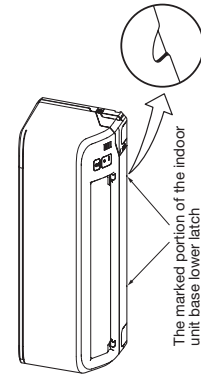
- Pour water to the drain pan located under the heat exchanger, and ensure that the water is discharged outdoor.
- When extended drain hose is present inside the room, insulate it securely with heat insulator available in the market.

Fixing of indoor unit



● How to remove the indoor unit from the installation board

- 1 Push up at the marked portion of the indoor unit base lower latch, and slightly pull it toward you. (The indoor unit base lower latch can be removed from the installation board)
- 2 Push up the indoor unit upward so that it can be removed from the installation board.



INSTALLATION OF THE OUTDOOR UNIT

Fixing of outdoor

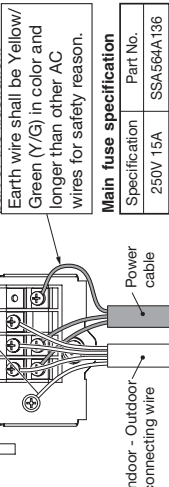
- Make sure that the unit is stable in installation. Fix the unit to stable base.
- When installing the unit at a higher place or where it could be toppled by strong winds, secure the unit firmly with foundation bolts, wire, etc.

Electric wiring work

- Perform wiring, making wire terminal numbers conform to terminal numbers of indoor unit terminal block.
- Connect using ground screw located near \oplus mark.

CAUTION

Connect the earthed line of indoor and outdoor connecting wire to a bracket part of the illustration. Earth wire shall be Yellow/Green (Y/G) in color and longer than other AC wires for safety reason.



Main fuse specification

Specification	Part No.
250V 15A	SSA564A136

power cable, indoor - outdoor connecting wire circuit diagram

- Always perform grounding system installation work with the power cord unplugged.
- Connect a pair bearing a common terminal number with an indoor-outdoor connecting wire.
- In cabling, fasten cables securely with cable clamps so that no external force may work on terminal connections.
- Grounding terminals are provided in the terminal block.

Always use an earth leakage circuit breaker designed for inverter circuits to prevent a faulty operation.

CAUTION

Phase	Switchgear or Circuit Breaker		Interconnecting and grounding wires (minimum)
	Earth leakage breaker	Over current protector rated capacity	
Single-phase	15A, 30mA, 0.1sec or less	30A, 16A	1.5mm ² X 4
			2.0mm ²

- The specifications shown in the above table are for units without heaters. For units with heaters, refer to the installation instructions or the construction instructions of the indoor unit.
- Switchgear or Circuit breaker capacity which is calculated from maximum over current should be chosen along the regulations in each country.
- The cable specifications are based on the assumption that a metal or plastic conduit is used with no more than three cables contained in a conduit and a voltage drop is 2%. For an installation falling outside of these conditions, follow the internal cabling regulations. Adapt it to the regulation in effect in each country.

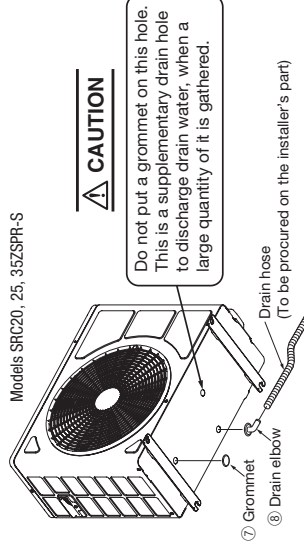
Drain piping work

- Execute drain piping by using a drain elbow and drain grommets supplied separately as accessories, where water drained from the outdoor unit is a problem.
- Water may drip where there is a larger amount of drain water. Seal around the drain elbow and drain grommets with putty or adequate caulking material.
- Condensed water may flow out from vicinity of service valve or connected pipes.
- Where you are likely to have several days of sub-zero temperatures in a row, do not use a drain elbow and drain grommets. (There is a risk of drain water freezing inside and blocking the drain.) ※

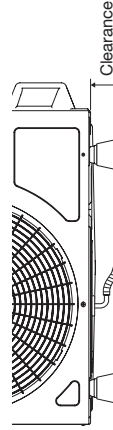
Models SR020, 25, 35ZSPR-S

CAUTION

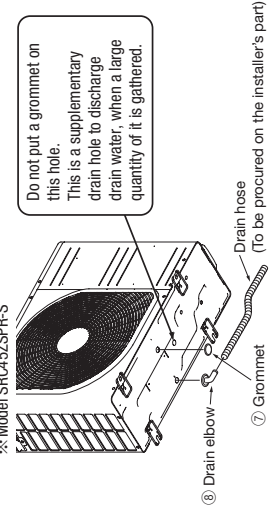
Do not put a grommet on this hole. This is a supplementary drain hole to discharge drain water, when a large quantity of it is gathered.



- When condensed water needs to be led to a drain, etc., install the unit on a flat base (supplied separately as a locally procured part) or concrete blocks. Then, secure space for the drain elbow and the drain hose.



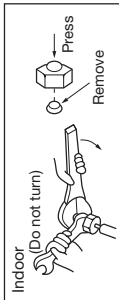
※ Model SR045ZSPR-S



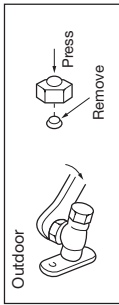
CONNECTION OF REFRIGERANT PIPINGS

Preparation

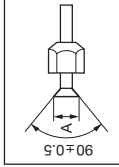
Keep the openings of the pipes covered with tapes etc. to prevent dust, sand, etc. from entering them.



- Remove the flared nuts. (on both liquid and gas sides)

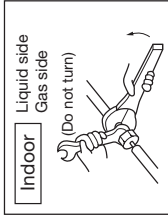


- Remove the flared nuts. (on both liquid and gas sides)

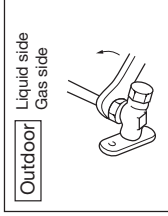


- Install the removed flared nuts to the pipes to be connected, then flare the pipes.

Connection



- Connect the pipes on both liquid and gas sides.
- Tighten the nuts to the following torque.
Liquid side (φ6.35): 14.0 – 18.0 N·m (1.4–1.8 kgf·m)
Gas side (φ9.52): 34.0 – 42.0 N·m (3.4–4.2 kgf·m)
(φ12.7): 49.0 – 61.0 N·m (4.9–6.1 kgf·m)



CAUTION

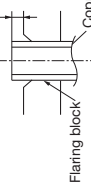
Do not apply excess torque to the flared nuts. Otherwise, the flared nuts may crack.

CAUTION

Do not apply refrigerating machine oil to the flared surface.

Flaring work

Measurement B



Copper pipe diameter	Measurement B (mm)	
	Clutch type flare tool for R410A	Conventional (R22) flare tool
φ6.35	1.0-1.5	1.5-2.0
φ9.52	1.0-1.5	1.5-2.0
φ12.7	1.0-1.5	2.0-2.5

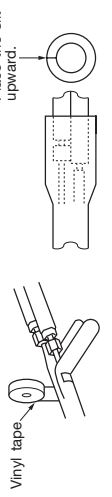
Use a flare tool designed for R410A or a conventional flare tool. Note that measurement B (protrusion from the flaring block) will vary depending on the type of a flare tool in use. If a conventional flare tool is used, use a copper pipe gauge or a similar instrument to check protrusion so that you can keep measurement B to a correct value.

Air purge

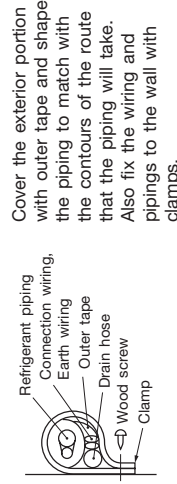
- 1 Tighten all flare nuts in the pipings both indoor and outside wall so as not to cause leak.
- 2 Connect service valve, charge hose, manifold valve and vacuum pump as is illustrated right.
- 3 Open manifold valve handle Lo to its full width, and perform vacuum or evacuation.
Continue the vacuum or evacuation operation for 15 minutes or more and check to see that the vacuum gauge reads -0.1MPa.
- 4 After completing vacuum operation, close the Lo handle and stop operation of the vacuum pump.
- 5 After completing vacuum operation, fully open service valve (Both gas and liquid sides) with hexagon headed wrench.
- 6 Check for possible leakage of gas in the connection parts of both indoor and outdoor.

Insulation of the connection portion

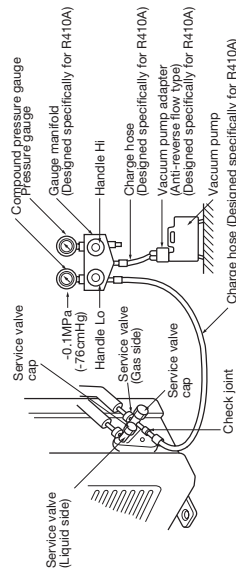
Cover the coupling with insulator and then cover it with tape.



Finishing work and fixing



Cover the exterior portion with outer tape and shape the piping to match with the contours of the route that the piping will take. Also fix the wiring and pipings to the wall with clamps.



Securely tighten the service valve cap and the check joint blind nut after adjustment.

Service valve size (mm)	Service valve cap tightening torque (N·m)	Check joint blind nut tightening torque (N·m)
φ6.35 (1/4")	20-30	10-12
φ9.52 (3/8")	25-35	
φ12.7 (1/2")		

- Since the system uses check joints differing in diameter from those found on the conventional models, a charge hose (for R22) presently in use is not applicable. Use one designed specifically for R410A.

- Use an anti-reverse flow type vacuum pump adapter so as to prevent vacuum pump oil from running back into the system. Oil running back into an air-conditioning system may cause the refrigerant cycle to break down.

INSTALLATION TEST CHECK POINTS

Check the following points again after completion of the installation, and before turning on the power. Conduct a test run again and ensure that the unit operates properly. At the same time, explain to the customer how to use the unit and how to take care of the unit following the instruction manual.

After installation

- The power source voltage is correct as the rating.
- No gas leaks from the joints of the service valve.
- Power cables and crossover wires are securely fixed to the terminal board.
- The screw of the lid is tightened securely.
- The screw of the service panel is tightened securely.
- Service valve is fully open.
- The pipe joints for indoor and outdoor pipes have been insulated.

Test run

- Air-conditioning operation is normal.
 - No abnormal noise.
 - Water drains smoothly.
 - Protective functions are not working.
 - The wireless remote control is normal.
- Operation of the unit has been explained to the customer.
(Three-minute restart preventive timer)
When the air-conditioner is restarted or when changing the operation, the unit will not start operating for approximately 3 minutes. This is to protect the unit and it is not a malfunction.

BEFORE INSTALLATION

◦ Before installation check that the power source matches the air-conditioner.

Standard accessories (Installation kit)	Qty
Accessories for indoor unit	
1 Installation board (Attached to the rear of the indoor unit)	1
2 Wireless remote control	1
3 Remote control holder	1
4 Tapping screws (for installation board ø4 X 25mm)	10
5 Wood screws (for remote control holder ø3.5 X 16mm)	2
6 Battery (R03 (AAA, Micro) 1.5V)	2
7 Air-cleaning filters	2
8 Filter holders	2
9 Insulation (#486 50 x 100 (3))	1

Locally procured parts	Qty
a Sealing plate	1
b Sleeve	1
c Inclination plate	1
d Putty	1
e Drain hose (extension hose)	1
f Piping cover (for insulation of connection piping)	1

Necessary tools for the installation work
1 Plus headed driver
2 Knife
3 Saw
4 Tape measure
5 Hammer
6 Spanner wrench
7 Torque wrench (14.0 - 82.0N·m (1.4 - 8.2kgf·m))
8 Hole core drill (65mm in diameter)
9 Wrench key (Hexagon) [4mm]
10 Flaring tool set (Designed specifically for R410A)
11 Gas leak detector (Designed specifically for R410A)
12 Gauge for projection adjustment (Used when flare is made by using conventional flare tool)
13 Pipe bender

SELECTION OF INSTALLATION LOCATION

(Install at location that meets the following conditions, after getting approval from the customer)

- Indoor unit**
- Where there is no obstructions to the air flow and where the cooled and heated air can be evenly distributed.
 - A solid place where the unit or the wall will not vibrate.
 - Where wiring and the piping work will be easy to service. (Where space mentioned below can be secured)
 - The place where receiving part is not exposed to the direct rays of the sun or the strong rays of the street lighting.
 - A place where the unit can be easily drained.
 - A place where there is no interference from the television or the radio. (To prevent interferences to images and sounds.)
 - Places where this unit is not affected by the high frequency equipment or electric equipment.
 - Avoid installing this unit in place where there is much oil mist.
 - Places where there is no electric equipment or household under the installing unit.
 - Install the indoor unit on the wall where the height from the floor to the bottom of the unit is more than 1.8m.

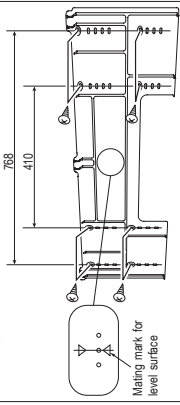
Wireless remote control

- A place where the air-conditioner can be received the signal surely during operating the wireless remote control.
- Places where there is no affected by the infrared ray.
- Do not place where exposed to direct sunlight or near heat devices such as a stove.

INSTALLATION OF INDOOR UNIT

Installation of installation board

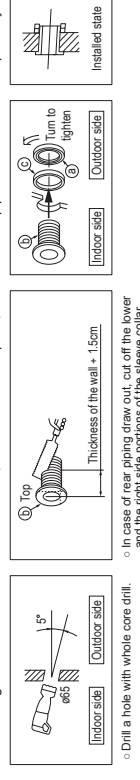
Look for the inside wall structures (intermediate support or pillar and firmly install the unit after level surface has been checked.)



- Adjustment of the installation board in the horizontal direction is to be conducted with eight screws in a temporary tightened state.
- Adjust so the board will be level by turning the board with the standard hole as the center.

Drilling of hole and fixture of sleeve (Locally procured parts)

When drilling the wall that contains a metal lath, wire lath or metal plate, be sure to use pipe hole sleeve sold separately.

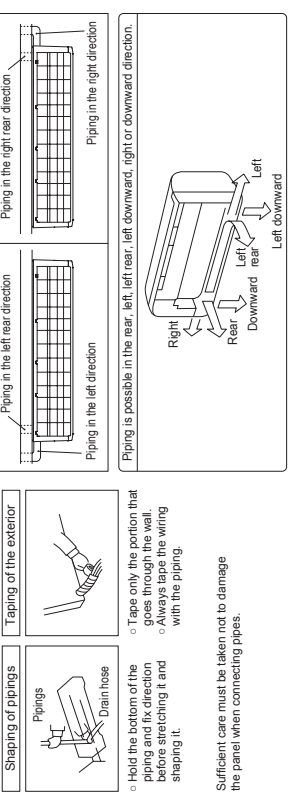


- Drill a hole with whole core drill.
- In case of rear piping draw out, cut off the lower and the right side portions of the sleeve collar.

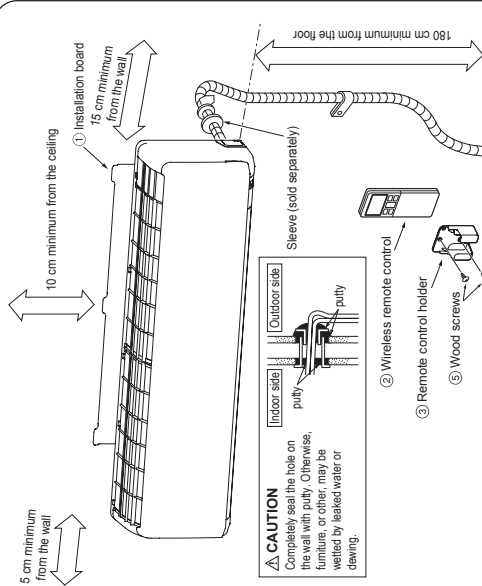
Installing the support of piping

◦ Matters of special notice when piping from left or central/rear of the unit.

[Top view]



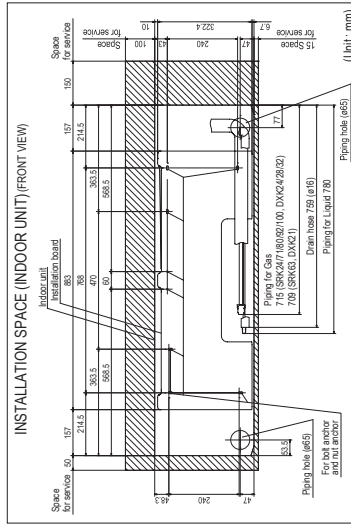
Sufficient care must be taken not to damage the panel when connecting pipes.



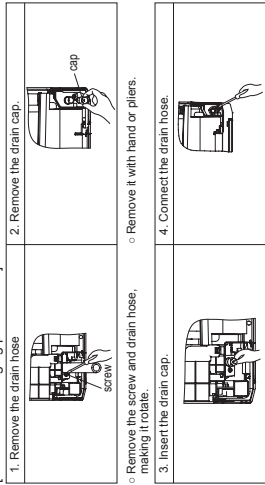
CAUTION
Completely seal the hole on the wall with putty. Otherwise, furniture, or other, may be wetted by leaked water or dewing.

- Wireless remote control
- Remote control holder
- Wood screws

Relation between setting plate and indoor unit



[Drain hose changing procedures]



- Remove the screw and drain hose, making it rotate.
- Remove it with hand or pliers.
- Insert the drain cap which was removed at procedure "2" securely using a hexagonal wrench etc.
- Insert the drain cap securely, making it rotate. And install the screw.
- Insert the drain hose securely, making it rotate. Be careful that if it is not inserted securely, water leakage may occur.

Fixing of indoor unit

Since this air-conditioner has been designed to collect dew drops on the rear surface to the drain pan, do not attach the power cord above the gutter.

Pipe accommodating section

Higher than specified
The drain hose tip is in water.

Wavy
The grip to the grounds is 5 cm or less.

Obor from the gutter
The drain hose tip is in the gutter.

CAUTION
Go through all installation steps and check if the drainage is all right. Otherwise water leak may occur.

Drainage
o Arrange the drain hose in a downward angle.
o Avoid the following drain piping.

o Pour water to the drain pan located under the heat exchanger, and ensure that the water is discharged outdoor.
o When extended drain hose is present inside the room, insulate it securely with heat insulator available in the market.

How to remove the indoor unit from the installation board

- 1 Push up at the marked portion of the indoor unit base lower latch, and slightly pull it toward you, (both right and left hand sides) (The indoor unit base lower latch can be removed from the installation board)
- 2 Push up the indoor unit upward so that it can be removed from installation board.

Installation Steps

- 1 Pass the pipe through the hole in the wall, and hook the upper part of the indoor unit to the installation board.
- 2 Gently push the lower part to secure the unit.

CONNECTION OF REFRIGERANT PIPINGS

Preparation Keep the openings of the pipes covered with tapes etc. to prevent dust, sand, etc. from entering them.

Indoor

(Do not turn)

Press Remove

Remove the flared nuts (on both liquid and gas sides)

Flaring work

Measurement B

Copper pipe diameter	Measurement B (mm)	
	Clutch type flare tool for R410A	Conventional (R22) flare tool
ø6.35	0.0 - 0.5	1.0 - 1.5
ø9.52	0.0 - 0.5	1.0 - 1.5
ø12.7	0.0 - 0.5	1.0 - 1.5
ø15.88	0.0 - 0.5	1.0 - 1.5

Use a flare tool designed for R410A or a conventional flare tool.
Note that measurement B (protrusion from the flaring block) will vary depending on the type of a flare tool in use.
If a conventional flare tool is used, use a copper pipe gauge or a similar instrument to check protrusion so that you can keep measurement B to a correct value.

Dimension A
Liquid side ø6.35 : 8.1 (mm)
ø9.52 : 13.2 (mm)
Gas side ø9.52 : 13.2 (mm)
ø15.88 : 19.7 (mm)

CAUTION
Do not use refrigerating machine oil to the flared surfaces.

o Install the removed flared nuts to the pipes to be connected, then flare the pipes.

Connection

Indoor

Liquid side Gas side (Do not turn)

o Connect the pipes on both liquid and gas sides.
o Tighten the nuts to the following torque.
Liquid side (ø6.35) : 14.0 - 18.0 N·m (1.4 - 1.8 kgf·m)
Liquid side (ø9.52) : 34.0 - 42.0 N·m (3.4 - 4.2 kgf·m)
Gas side (ø9.52) : 34.0 - 42.0 N·m (3.4 - 4.2 kgf·m)
(ø12.7) : 49.0 - 61.0 N·m (4.9 - 6.1 kgf·m)
(ø15.88) : 60.0 - 82.0 N·m (6.0 - 8.2 kgf·m)

CAUTION
Do not apply excess torque to the flared nuts. Otherwise, the flared nuts may crack.

If DC7/NP is connected, use reducer of gas side of indoor unit to change the pipe size from ø15.88 to ø12.7. (Reducer is attached in the outdoor unit accessory)

Insulation of the connection portion

Cover the coupling with insulator and then cover it with tapes.
Use an attached insulation pad for heat insulation.

Vinyl tape

Position it so that the slit area faces upward.

o Cover the indoor unit's flap-connected joints, after they are checked for a gas leak, with an indoor unit heat insulating material and then wrap them with a tape with an attached insulation pad placed over the heat insulating material's slit area.

Finishing work and fixing

Refrigerant piping
Connection wiring
Earth wiring
Outer tape
Drain hose
Wood screw
Clamp

Cover the exterior portion with outer tape and shape the piping to match with the contours of the route that piping will take.
Also fix the wiring and pipings to the wall with clamps.

Open/close and detachment/attachment of the air inlet panel

To open, pull the panel at both ends of lower part and release latches, then pull up the panel until you feel resistance.
(The panel stops at approx. 60° open position)
To close, hold the panel at both ends of lower part to lower downward and push it slightly until the latch works.
To remove, pull up the panel to the position shown in right illustration and pull it toward you.
To install, insert the panel arm into the slot on the front panel from the position shown in right illustration, hold the panel at both ends of lower part, lower it downward slowly, then push it slightly until the latch works.

How to remove and install the front panel

Removing

- 1 Remove the air inlet panel.
- 2 Remove the 8 screws fixing to the front panel.
- 3 Remove the 5 latches in the upper section of the front panel and then remove the front panel from the unit.

Installing

- 1 Remove the air filter.
- 2 Cover the unit with the front panel.
- 3 Tighten the 8 screws to fix the front panel.
- 4 Install the air filter.
- 5 Install the air inlet panel.

ELECTRICAL WIRING WORK

Preparation of indoor unit

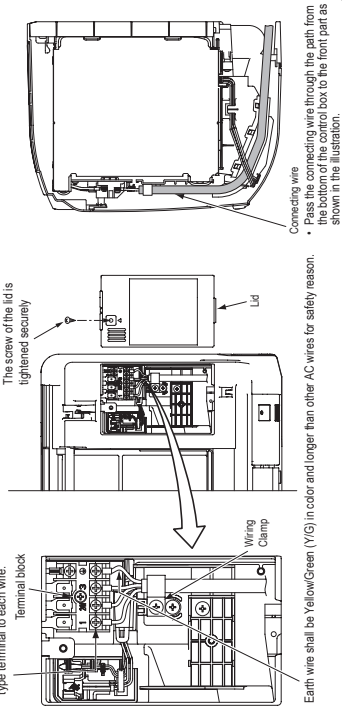
- o In case of faulty wiring connection, indoor unit does not operate. Then, run lamp turns on and timer lamp blinks.

Mounting of connecting wires

- 1) Open the air inlet panel.
 - 2) Remove the lid.
 - 3) Remove the wiring clamp.
 - 4) Connect the connecting wire securely to the terminal block.
 - 1) Connect the connection wire securely to the terminal block. If the wire is not affixed completely, contact will be poor, and it is dangerous as the terminal block may heat up and catch fire.
 - 2) Take care not to confuse the terminal numbers for indoor and outdoor connections.
 - 5) Fix the connecting wire by wiring clamp.
 - 6) Attach the lid.
 - 7) Close the air inlet panel.
- Use cables for interconnection wire to avoid loosening of the wires.
 CENELEC code for cables Required field cables.
 HOSNR4G1.5 (example) or 245IEC57
 H Harmonized cable type
 OS 300/500 volts
 R Natural-and/or synth. rubber wire insulation
 N Polythiophene rubber conductors insulation
 R Stranded core
 4or5 Number of conductors
 G One conductor of the cable is the earth conductor (yellow/green)
 1.5 Section of copper wire (mm²)

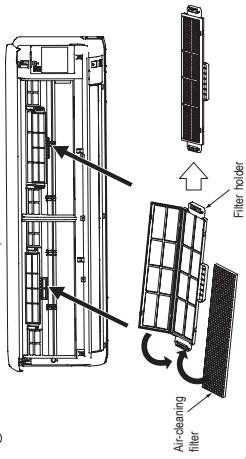
Be sure to attach round clamp-type terminal to each wire.

The screw of the lid is tightened securely



Installing the air-cleaning filters

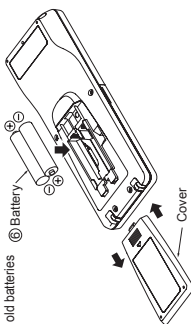
- 1) Open the air inlet panel and remove the air filters.
- 2) Install the air-cleaning filter in the filter holders, and then install the filter holders in the air-conditioner.
- 3) Each air-cleaning filter can be installed in the left or right filter holder.



INSTALLATION OF WIRELESS REMOTE CONTROL

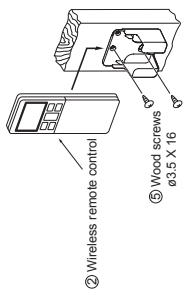
Mounting method of battery

- o Uncover the wireless remote control, and mount the batteries [R03 (AAA, Micro), x2, pieces] in the body regularly.
- o Do not use new and old batteries together.



Fixing to pillar or wall

- o Conventionally, operate the wireless remote control by holding in your hand.
- o Avoid installing it on a clay wall etc.



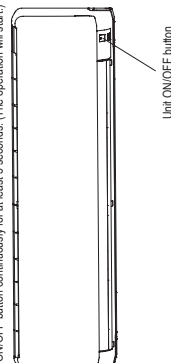
HOW TO RELOCATE OR DISPOSE OF THE UNIT

- o In order to protect the environment, be sure to pump down (recovery of refrigerant).
- o Pump down is the method of recovering refrigerant from the indoor unit to the outdoor unit when the pipes are removed from the unit.

<How to pump down>

- 1) Connect charge hose to check point of outdoor unit.
- 2) Liquid side - Close the liquid valve with hexagon wrench key.
 Gas side - Fully open the gas valve.
 Carry out cooling operation. (If indoor temperature is low, operate forced cooling operation.)
- 3) After low pressure gauge become 0.01MPa, stop cooling operation and close the gas valve.

- * Forced cooling operation
 Turn off power source. Turn on power source again after a while. Then, press the ON/OFF button continuously for at least 5 seconds. (The operation will start.)

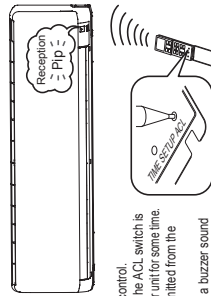


INSTALLING TWO AIR-CONDITIONERS IN THE SAME ROOM

When two air-conditioners are installed in the same room, use this setting when the two air-conditioners are not operated with one wireless remote control. Set the wireless remote control and indoor unit.

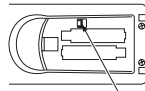
Setting an indoor unit

- 1) Turn off the power source, and turn it on after 1 minute.
 - 2) Point the wireless remote control that was set according to the procedure described on the left side at the indoor unit and send a signal by pressing the ACL switch on the wireless remote control. Since the signal is sent in about 6 seconds after the ACL switch is pressed, point the wireless remote control at the indoor unit for some time.
 - 3) Check that the reception buzzer sound "Pip" is emitted from the indoor unit.
- At completion of the setting, the indoor unit emits a buzzer sound "Pip". (If no reception tone is emitted, start the setting from the beginning again.)



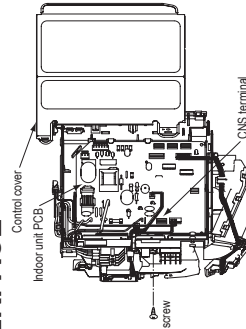
Setting the wireless remote control

- 1) Pull out the cover and take out batteries.
- 2) Disconnect the switching line next to the battery with wire cutters.
- 3) Insert batteries. Close the cover.



TERMINAL CONNECTION FOR AN INTERFACE

- 1) Remove the air inlet panel, lid and front panel.
 - 2) Remove the control cover. (Remove the screw.)
 - 3) There is a terminal (respectively marked with CNS) for the indoor control board. In connecting an interface, connect to the respective terminal securely, with the connection harness supplied with an option "Interface connection kit SC-BIKN-E" and fasten the connection harness onto the indoor control box with the clamp supplied with the kit.
- For more details, refer to the user's manual of your "Interface connection kit SC-BIKN-E".



INSTALLATION TEST CHECK POINTS

After installation

- The power source voltage is correct as the rating.
- No gas leaks from the joints of the service valve.
- Power cables and crossover wires are securely fixed to the terminal board.

Test run

- Air-conditioning operation is normal.
- The wireless remote control is normal.
- No abnormal noise.
- Operation of the unit has been explained to the customer. (Three-minutes restart preventive timer) When the air-conditioner is restarted or when changing the operation, the unit will not start operating for approximately 3 minutes. This is to protect the unit and it is not a malfunction.
- Water drains smoothly.
- Protective functions are not working.

Check the following points again after completion of the installation, and before turning on the power. Conduct a test run again and ensure that the unit operates properly. At the same time, explain to the customer how to use the unit and how to take care of the unit following the user's manual.

RCR012A203A

Models 63-71-80
R410A REFRIGERANT USED

(b) Installation of outdoor unit


- This installation manual deals with outdoor units and general installation specifications only. For indoor units, refer to page 51.
- While installing the unit, be sure to check the selection of installation place, power source specifications, usage limitation (piping length, height differences between indoor and outdoor units, power source voltage etc.) and installation spaces.

SAFETY PRECAUTIONS

- Before installation, read the "SAFETY PRECAUTIONS" carefully and strictly follow it during the installation work in order to protect yourself.
- The precautionary items mentioned below are distinguished into two levels, **WARNING** and **CAUTION**.
 - **WARNING** : Wrong installation would cause serious consequences such as injuries or death.
 - **CAUTION** : Wrong installation might cause serious consequences depending on circumstances.
- Both mention the important items to protect your health and safety so strictly follow them by any means.
- Be sure to confirm no anomaly on the equipment by commissioning after completing installation and explain the operating methods as well as the maintenance methods of this equipment to the user according to the owner's manual.

Never do it under any circumstances.  Always do it according to the instruction. 

WARNING

<p> Installation must be carried out by the qualified installer. If you install the system by yourself, it may cause serious trouble such as water leaks, electric shocks, fire and personal injury, as a result of a system malfunction. Do not carry out the installation and maintenance work except the by qualified installer.</p> <ul style="list-style-type: none"> • Install the system in full accordance with the installation manual. Incorrect installation may cause bursts, personal injury, water leaks, electric shocks and fire. • Be sure to use only for household and residence. If this appliance is installed in interior environment such as machine shop etc., it can cause malfunction. • When installing in small rooms, take prevention measures not to exceed the density limit of refrigerant in the event of leakage, referred by the formula (accordance with ISO5149). If the density of refrigerant exceeds the limit, consult the dealer and install the ventilation system, otherwise lack of oxygen can occur, which can cause serious accident. • Use the original accessories and the specified components for installation. If parts other than those prescribed by us are used, it may cause water leaks, electric shocks, fire and personal injury. • Install the unit in a location with good support. Unsuitable installation locations can cause the unit to fall, resulting in material damage and personal injury. • Ensure the unit is stable when installed, so that it can withstand earthquakes and strong winds. Unsuitable installation locations can cause the unit to fall and cause material damage and personal injury. <p> Ensure that no air enters in the refrigerant circuit when the unit is installed and removed. If air enters in the refrigerant circuit, the pressure in the refrigerant circuit becomes too high, which can cause burst and personal injury.</p> <ul style="list-style-type: none"> • Do not process or splice the power cord, or share the socket with other power plugs. This may cause fire or electric shock due to deflecting contact, deflecting insulation and over-current etc. 	<ul style="list-style-type: none"> • Ventilate the working area well in the event of refrigerant leakage during installation. If the refrigerant comes into contact with naked flames, poisonous gas is produced. • Use the prescribed pipes, flare nuts and tools for R410A. Using existing parts (for R22 or R407C) can cause the unit failure and serious accidents due to burst of the refrigerant circuit. • Tighten the flare nuts by torque wrench with specified method. If the flare nut were tightened with excess torque, this may cause burst and refrigerant leakage after a long period. • Do not open the service valves for liquid line and gas line until completed refrigerant piping work, air tightness test and evacuation. If the compressor is operated in state of opening service valves before completing connection of refrigerant piping work, air can be sucked into refrigerant circuit, which can cause burst or personal injury due to anomalously high pressure in the refrigerant. • The electrical installation must be carried out by the qualified electrician in accordance with "the norm for electrical work" and "national wiring regulation", and the system must be connected to the dedicated circuit. Power source with insufficient capacity and incorrect function done by improper work can cause electric shocks and fire. • Be sure to shut off the power before starting electrical work. Failure to shut off the power can cause electric shocks, unit failure or incorrect function of equipment. • Be sure to use the cables conformed to safety standard and cable ampacity for power distribution work. Unconformable cables can cause electric leak, anomalous heat production or fire. • This appliance must be connected to main power source by means of a power cord by treading it. This may cause fire or heating. • Do not run the unit with removed panels or protections. Touching rotating equipments, hot surfaces or high voltage parts can cause personal injury due to entrapment, burn or electric shocks.
<ul style="list-style-type: none"> • Installation must be carried out by the qualified installer. If you install the system by yourself, it may cause serious trouble such as water leaks, electric shocks, fire and personal injury, as a result of a system malfunction. Do not carry out the installation and maintenance work except the by qualified installer. • Install the system in full accordance with the installation manual. Incorrect installation may cause bursts, personal injury, water leaks, electric shocks and fire. • Be sure to use only for household and residence. If this appliance is installed in interior environment such as machine shop etc., it can cause malfunction. • When installing in small rooms, take prevention measures not to exceed the density limit of refrigerant in the event of leakage, referred by the formula (accordance with ISO5149). If the density of refrigerant exceeds the limit, consult the dealer and install the ventilation system, otherwise lack of oxygen can occur, which can cause serious accident. • Use the original accessories and the specified components for installation. If parts other than those prescribed by us are used, it may cause water leaks, electric shocks, fire and personal injury. • Install the unit in a location with good support. Unsuitable installation locations can cause the unit to fall, resulting in material damage and personal injury. • Ensure the unit is stable when installed, so that it can withstand earthquakes and strong winds. Unsuitable installation locations can cause the unit to fall and cause material damage and personal injury. <p> Ensure that no air enters in the refrigerant circuit when the unit is installed and removed. If air enters in the refrigerant circuit, the pressure in the refrigerant circuit becomes too high, which can cause burst and personal injury.</p> <ul style="list-style-type: none"> • Do not process or splice the power cord, or share the socket with other power plugs. This may cause fire or electric shock due to deflecting contact, deflecting insulation and over-current etc. 	<ul style="list-style-type: none"> • Stop the compressor before removing the pipe after shutting the service valve on pump down work. If the pipe is removed when the compressor is in operation with the service valve open, air would be mixed in the refrigeration circuit and it could cause explosion and injuries due to abnormal high pressure in the cooling cycle. • Only use prescribed option parts. The installation must be carried out by the qualified installer. If you install the system by yourself, it can cause serious trouble such as water leaks, electric shocks, fire. • Be sure to wear protective goggles and gloves while at work. • Earth leakage breaker must be installed. If the earth leakage breaker is not installed, it can cause electric shocks. • Do not perform any change of protective device itself or its setup condition. The forced operation by short-circuiting protective device of pressure switch and temperature controller or the use of non specified component can cause fire or burst.

⚠ CAUTION

- **Carry out the electrical work for ground lead with care.**
Do not connect the ground lead to the gas line, water line, lightning conductor or telephone line's ground lead. Incorrect grounding can cause unit faults such as electric shocks due to short-circuiting.
- **Use the circuit breaker for all pole correct capacity. Circuit breaker should be able to disconnect all poles under over current.**
Using the incorrect circuit breaker, it can cause the unit malfunction and fire.
- **Install isolator or disconnect switch on the power source wiring in accordance with the local codes and regulations.**
The isolator should be locked in OFF state in accordance with EN60204-1.
- **After maintenance, all wiring, wiring ties and the like, should be returned to their original state and wiring route, and the necessary clearance from all metal parts should be secured.**
- **Secure a space for installation, inspection and maintenance specified in the manual.**
Insufficient space can result in accident such as personal injury due to falling from the installation place.

- **Take care when carrying the unit by hand.**
If the unit weights more than 20kg, it must be carried by two or more persons. Do not carry by the plastic straps. Always use the carry handle when carrying the unit by hand. Use gloves to minimize the risk of cuts by the aluminum fins.
- **Dispose of any packing materials correctly.**
Any remaining packing materials can cause personal injury as it contains nails and wood. And to avoid danger of suffocation, be sure to keep the plastic wrapper away from children and to dispose after tear it up.
- **Be sure to insulate the refrigerant pipes so as not to condense the ambient air moisture on them.**
Insufficient insulation can cause condensation, which can lead to moisture damage on the ceiling, floor, furniture and any other valuables.

- **Do not install the unit in the locations listed below.**
 - Locations where carbon fiber, metal powder or any powder is floating.
 - Locations where any substances that can affect the unit such as sulphide gas, chloride gas, acid and alkaline can occur.
 - Vehicles and ships.
 - Locations where cosmetic or special sprays are often used.
 - Locations with direct exposure of oil mist and steam such as kitchen and machine plant.
 - Locations where any machines which generate high frequency harmonics are used.
 - Locations with salty atmospheres such as coastlines.
 - Locations with heavy snow (If installed, be sure to provide base flame and snow hood mentioned in the manual).
 - Locations where the unit is exposed to chimney smoke.
 - Locations at high altitude (more than 1000m high).
 - Locations with ammoniac atmospheres (e.g. organic fertilizer).
 - Locations with ammoniac chloride (e.g. snow melting agent).
 - Locations where heat radiation from other heat source can affect the unit.
 - Locations without good air circulation.
 - Locations with any obstacles which can prevent inlet and outlet air of the unit.
 - Locations where short circuit of air can occur (in case of multiple units installation).
 - Locations where something air blows against the air outlet of outdoor unit.
 - Locations where something located above the unit could fall.
- It can cause remarkable decrease in performance, corrosion and damage of components, malfunction and fire.

- **When perform the air-conditioner operation (cooling or dehumidifying operation) in which ventilator is installed in the room. In this case, using the air-conditioner in parallel with the ventilator, there is the possibility that drain water may backflow in accordance with the room lapse into the negative pressure status. Therefore, set up the opening port such as incorporate the air into the room that may appropriate to ventilation (For example; Open the door a little). In addition, just as above, so set up the opening port if the room lapse into negative pressure status due to register of the wind for the high rise apartment etc.**
- **Do not install the outdoor unit in a location where insects and small animals can inhabit.**
Insects and small animals can enter the electric parts and cause damage or fire. Instruct the user to keep the surroundings clean.
- **Do not use the base frame for outdoor unit which is corroded or damaged due to long periods of operation.**
Using an old and damage base frame can cause the unit falling down and cause personal injury.
- **Do not use any materials other than a fuse with the correct rating in the location where fuses are to be used.**
Connecting the circuit with copper wire or other metal thread can cause unit failure and fire.
- **Do not touch any buttons with wet hands.**
It can cause electric shocks.
- **Do not touch any refrigerant pipes with your hands when the system is in operation.**
During operation the refrigerant pipes become extremely hot or extremely cold depending the operating condition, and it can cause burn injury or frost injury. This may cause injury.
- **Do not put anything on the outdoor unit and operating unit.**
This may cause damage the objects or injury due to falling to the object.
- **Do not use the unit for special purposes such as storing foods, cooling precision instruments and preservation of animals, plants or art.**
- **Do not clean up the unit with water.**

Check before installation work

- Model name and power source
- Refrigerant piping length
- Piping, wiring and miscellaneous small parts
- Indoor unit installation manual

Accessories for outdoor unit	Q'ty
① Grommet (Heat pump type only)	4
Model 63	
Model 71, 80	2

Necessary tools for the installation work

1 Plus headed driver	9 Wrench key (Hexagon) [4m/m]
2 Knife	10 Vacuum pump
3 Saw	11 Vacuum pump adapter (Anti-reverse flow type) (Designed specifically for R410A)
4 Tape measure	12 Gauge manifold (Designed specifically for R410A)
5 Hammer	13 Charge hose (Designed specifically for R410A)
6 Spanner wrench	14 Flaring tool set (Designed specifically for R410A)
7 Torque wrench [14.0~82.0N·m (1,4~8.2kgf·m)]	15 Gas leak detector (Designed specifically for R410A)
8 Hole core drill (65mm in diameter)	16 Gauge for projection adjustment (Used when flare is made by using conventional flare tool)

- Note as a unit designed for R410A**
- Do not use any refrigerant other than R410A. R410A will rise to pressure about 1.6 times higher than that of a conventional refrigerant.
 - A cylinder containing R410A has a pink indication mark on the top.
 - A unit designed for R410A has adopted a different size indoor unit service valve charge port and a flare nut's parallel side measurement have also been altered to raise strength against pressure. Accordingly, you are required to arrange dedicated R410A tools listed in the table on the left before installing or servicing this unit.
 - Do not use a charge cylinder. The use of a charge cylinder will cause the refrigerant composition to change, which results in performance degradation.
 - In charging refrigerant, always take it out from a cylinder in the liquid phase.
 - All indoor units must be models designed exclusively for R410A. Check connectable indoor unit models in a catalog, etc. (A wrong indoor unit, if connected into the system, will impair proper system operation)

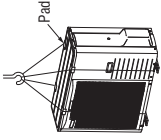
- **Do not install the unit where corrosive gas (such as sulfuric acid gas etc.) or combustible gas (such as thinner and petroleum gases) can accumulate or collect, or where volatile combustible substances are handled.**
Corrosive gas can cause corrosion of heat exchanger, breakage of plastic parts and etc. And combustible gas can cause fire.
- **Do not install nor use the system close to the equipment that generates electromagnetic fields or high frequency harmonics.**
Equipment such as inverters, standby generators, medical high frequency equipments and telecommunication equipments can affect the system, and cause malfunctions and breakdowns. The system can also affect medical equipment and telecommunication equipment, and obstruct its function or cause jamming.

1. HAULAGE AND INSTALLATION (Take particular care in carrying in or moving the unit, and always perform such an operation with two or more persons.)

CAUTION When a unit is hoisted with slings for haulage, take into consideration the offset of its gravity center position. If not properly balanced, the unit can be thrown off-balance and fall.

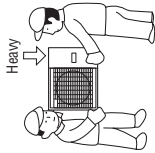
1) Delivery

- Deliver the unit as close as possible to the installation site before removing it from the packaging.
- When you have to unpack the unit for a compelling reason before you haul it to the installation point, hoist the unit with nylon slings or ropes and protection pads so that you may not damage the unit.



2) Portage

- The right hand side of the unit as viewed from the front (Fan side) is heavier. A person carrying the right hand side must take heed of this fact. A person carrying the left hand side must hold with his right hand the handle provided on the front panel of the unit and with his left hand the corner column section.



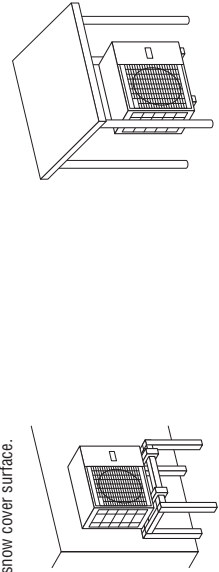
3) Selecting the installation location

Be sure to select a suitable installation place in consideration of following conditions.

- A place where it is horizontal, stable and can endure the unit weight and will not allow vibration transmittance of the unit.
 - A place where it can be free from possibility of bothering neighbors due to noise or exhaust air from the unit.
 - A place where the unit is not exposed to oil splashes.
 - A place where it can be free from danger of flammable gas leakage.
 - A place where drain water can be disposed without any trouble.
 - A place where the unit will not be affected by heat radiation from other heat source.
 - A place where the unit can be kept away 1m or more from TV set and/or radio receiver in order to avoid any TV set or radio receiver interference.
 - A place where good air circulation can be secured, and enough service space can be secured for maintenance and service of the unit safely.
 - A place where the unit will not be affected by electromagnetic waves and/or high-harmonic waves generated by other equipment.
 - A place where chemical substances like sulfuric gas, chloric gas, acid and alkali (including ammonia), which can harm the unit, will not be generated and not remain.
 - If a operation is conducted when the outdoor air temperature is -5 or lower, the outdoor unit should be installed at a place where it is not influenced by natural wind.
 - A place where strong wind will not blow against the outlet air blow of the unit.
 - A place where stringent regulation of electric noises is not applicable.
- Do not install the unit in places which exposed to sea breeze (e.g. coastal area) or calcium chloride (e.g. snow melting agent), exposed to ammonia substance (e.g. organic fertilizer).

4) Caution about selection of installation location

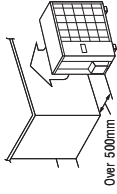
- (1) If the unit is installed in the area where the snow will accumulate, following measures are required. The bottom plate of unit and intake, outlet may be blocked by snow.
 - 1 Install the unit on the base so that the bottom is higher than snow cover surface.
 - 2 Install the unit under or provide the roof on site.



- Since drain water generated by defrost control may freeze, following measures are required.
- Do not execute drain piping work by using a drain elbow and drain grommets (accessories). [Refer to Drain piping work.]

- (2) If the unit can be affected by strong wind, following measures are required. Strong wind can cause damage of fan (fan motor), or can cause performance degradation, or can trigger anomalous stop of the unit due to rising of high pressure.

- 1 Place the unit outlet side is turned to the wall.
- 2 Install so the direction of the air from the blowing outlet will be perpendicular to the direction of the wind.

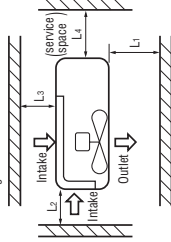


5) Installation space

- Walls surrounding the unit in the four sides are not acceptable.
- There must be a 1-meter or larger space in the above.
- When more than one unit are installed side by side, provide a 250mm or wider interval between them as a service space. In order to facilitate servicing of controllers, provide a sufficient space between units so that their top plates can be removed easily.
- Where a danger of short-circuiting exists, install guide louvers.
- When more than one unit are installed, provide sufficient intake space consciously so that short-circuiting may not occur.
- Where piling snow can bury the outdoor unit, provide proper snow guards.

Example Installation Size	Model 63				Model 71, 80			
	I	II	III	IV	I	II	III	IV
L1	Open	280	280	180	Open	Open	500	Open
L2	100	75	Open	300	250	Open	100	100
L3	100	80	80	80	100	150	150	100
L4	250	Open	250	Open	250	250	250	250

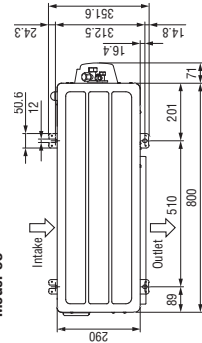
The height of a wall is 1200mm or less.



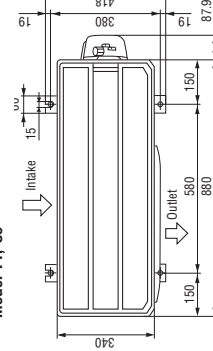
6) Installation

- ① Anchor bolt fixed position

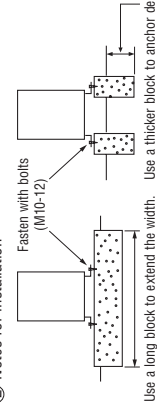
Model 63



Model 71, 80



- ② Notes for installation



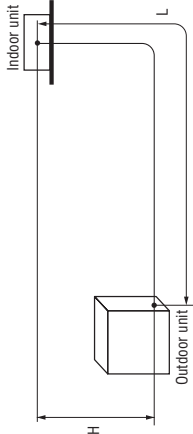
- In installing the unit, fix the unit's legs with bolts specified on the above.
- The protrusion of an anchor bolt on the front side must be kept within 15mm.
- Securely install the unit so that it does not fall over during earthquakes or strong winds, etc.
- Refer to the above illustrations for information regarding concrete foundations.
- Install the unit in a level area. (With a gradient of 5mm or less.) [Improper installation can result in a compressor failure, broken piping within the unit and abnormal noise generation.]

2. REFRIGERANT PIPING WORK

1) Restrictions on unit installation and use

- Check the following points in light of the indoor unit specifications and the installation site.
- Observe the following restrictions on unit installation and use. Improper installation can result in a compressor failure or performance degradation.

Restrictions	Dimensional restrictions	Marks appearing in the drawing on the right
Main pipe length	30m or less	L
Elevation difference between indoor and outdoor units	When the outdoor unit is positioned higher,	H
	When the outdoor unit is positioned lower,	H



⚠ CAUTION

- The use restrictions appearing in the table above are applicable to the standard pipe size combinations shown in the table below. Where an existing pipe system is utilized, different one-way pipe length restrictions should apply depending on its pipe size. For more information, see "5. UTILIZATION OF EXISTING PIPING."

2) Determination of pipe size

Determine refrigerant pipe size according to the following guidelines based on the indoor unit specifications.

	Model 63		Model 71, 80	
	Gas pipe	Liquid pipe	Gas pipe	Liquid pipe
Outdoor unit connected	ø12.7	ø6.35	ø15.8	ø6.35
Refrigerant piping (branch pipe L)	ø12.7	ø6.35	ø15.8	ø6.35
Indoor unit connected	ø12.7	ø6.35	ø15.8	ø6.35

3) Refrigerant pipe wall thickness and material

- Select refrigerant pipes of the table shown on the right wall thickness and material as specified for each pipe size.

Pipe diameter [mm]	ø6.35	ø12.7	ø15.88
Minimum pipe wall thickness [mm]	0.8	0.8	1.0
Pipe material*	O-type pipe	O-type pipe	O-type pipe

*Phosphorus deoxidized seamless copper pipe (CS 23,040.15, ICS 77.150.30)

4) On-site piping work

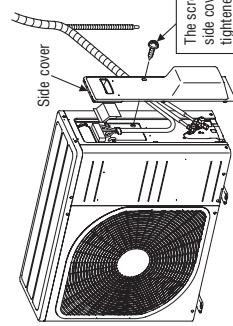
- Take care so that installed pipes may not touch components within a unit.
- If pipes touch internal components, abnormal sounds and/or vibrations.

⚠ IMPORTANT

Remove the screw of the side cover and remove to the front.

How to remove the side cover

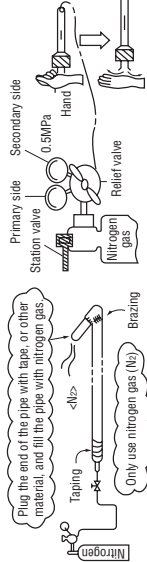
- Carry out the on-site piping work with the service valve fully closed.
- Give sufficient protection to a pipe end (compressed and brazed, or with an adhesive tape) so that water or foreign matters may not enter the piping.
- Bend a pipe to a radius as large as practical (R100~R150). Do not bend a pipe repeatedly to correct its form.
- Flare connection is used between the unit and refrigerant pipe. Flare a pipe after engaging a flare nut onto it. Flare dimensions for R410A are different from those for conventional R407C. Although we recommend the use of flaring tools designed specifically for R410A, conventional flaring tools can also be used by adjusting the measurement of protrusion B with a protrusion control gauge.
- The pipe should be anchored every 1.5m or less to isolate the vibration.
- Tighten the flare joint securely with a double spanner.



The screw of the side cover is tightened securely.

Pipe brazing

Brazing must be performed under a nitrogen gas flow. Without nitrogen gas, a large quantity of foreign matters (oxidized film) are created, causing a critical failure from capillary tube or expansion valve clogging.

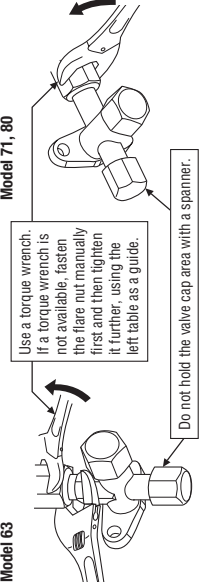


Flared pipe end : A (mm)	
Copper pipe outer diameter	A -04
ø6.35	9.1
ø12.7	16.6
ø15.88	19.7

Copper pipe protrusion for flaring : B (mm)	
Copper pipe outer diameter	In the case of a rigid (clutch) type
ø6.35	With an R410A tool
ø12.7	With a conventional tool
ø15.88	1.0~1.5

Model 63

Model 71, 80



⚠ CAUTION

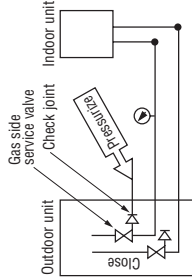
Do not apply force beyond proper fastening torque in tightening the flare nut. Fix both liquid and gas service valves at the valve main bodies as illustrated on the right, and then fasten them, applying appropriate fastening torque.

Service valve size (mm)	Tightening torque (Nm)	Tightening angle (°)	Recommended length of a tool handle (mm)
ø6.35 (1/4")	14~18	45~60	150
ø12.7 (1/2")	49~61	30~45	250
ø15.88 (5/8")	66~82	15~20	300

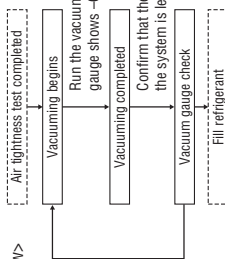
5) Air tightness test

① Although outdoor and indoor units themselves have been tested for air tightness at the factory, check the connecting pipes after the installation work from the service valve's check joint equipped on the outdoor unit side. While conducting a test, keep the service valve shut all the time.

- Raise the pressure to 0.5MPa, and then stop. Leave it for five minutes to see if the pressure drops.
 - Then raise the pressure to 1.5MPa, and stop. Leave it for five more minutes to see if the pressure drops.
 - Then raise the pressure to the specified level (4.15MPa), and record the ambient temperature and the pressure.
 - If no pressure drop is observed with an installation pressurized to the specified level and left for about one day, it is acceptable. When the ambient temperature fall 1 C, the pressure also fall approximately 0.01MPa. The pressure, if changed, should be compensated for.
 - If a pressure drop is observed in checking e) and a) - d), a leak exists somewhere. Find a leak by applying bubble test liquid to welded parts and flare joints and repair it. After repair, conduct an air tightness test again.
- ② In conducting an air tightness test, use nitrogen gas and pressurize the system with nitrogen gas from the gas side. Do not use a medium other than nitrogen gas under any circumstances.



6) Evacuation



When the system has remaining moisture inside or a leaky point, the vacuum gauge indicator will rise. Check the system for a leaky point and then draw air to create a vacuum again.

Pay attention to the following points in addition to the above for the R410A and compatible machines.

- To prevent a different oil from entering, use dedicated tools, etc. to each refrigerant type. Under no circumstances must a gauge manifold and a charge hose in particular be shared with other refrigerant types (R22, R407C, etc.).
- Use a counterflow prevention adapter to prevent vacuum pump oil from entering the refrigerant system.

7) Additional refrigerant charge

(1) Calculate a required refrigerant charge volume from the following table.

	Additional charge volume (g) per meter of refrigerant piping (liquid pipe ø6.35)	Refrigerant volume charged for shipment (kg)	Installation's pipe length (m) covered without additional refrigerant charge
Model 63	20	1.55	15
Model 71	25	1.80	15
Model 80	25	1.90	15

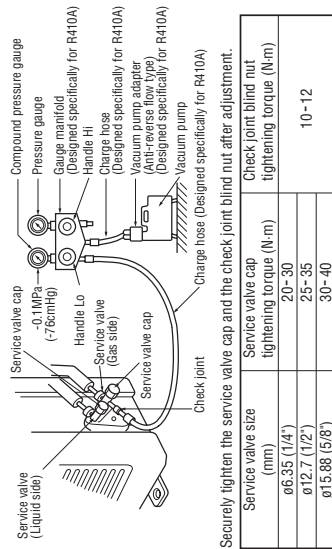
- This unit contains factory charged refrigerant covering 15m of refrigerant piping and additional refrigerant charge on the installation site is not required for an installation with up to 15m refrigerant piping. When refrigerant piping exceeds 15m, additionally charge an amount calculated from the pipe length and the above table for the portion in excess of 15m.

* If an existing pipe system is used, required refrigerant charge volume will vary depending on the liquid pipe size. For further information, see "5. UTILIZATION OF EXISTING PIPING."

Formula to calculate the volume of additional refrigerant required

Model 63	Additional charge volume (g) = {Mean length (m) - Factory charged volume 15 (m)} x 20 (g/m)
Model 71, 80	Additional charge volume (g) = {Mean length (m) - Factory charged volume 15 (m)} x 25 (g/m)

- When an additional charge volume calculation result is negative, it is not necessary to charge refrigerant additionally.
- For an installation measuring 15m or shorter in pipe length, charge the refrigerant volume charged for shipment at the factory, when you recharge refrigerant after servicing etc.



Securely tighten the service valve cap and the check joint blind nut after adjustment.

Service valve size (mm)	Service valve cap tightening torque (N·m)	Check joint blind nut tightening torque (N·m)
ø6.35 (1/4")	20-30	10-12
ø12.7 (1/2")	25-35	
ø15.88 (5/8")	30-40	

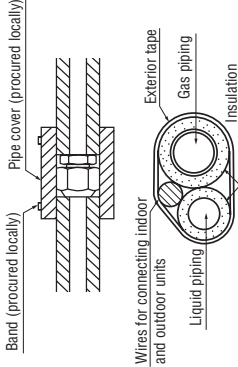
(2) Charging refrigerant

- Since R410A refrigerant must be charged in the liquid phase, you should charge it keeping the container cylinder upside down or using a refrigerant cylinder equipped with a siphon tube.
- Charge refrigerant always from the liquid side service port with the service valve shut. When you find it difficult to charge a required amount, fully open the outdoor unit valves on both liquid and gas sides and charge refrigerant from the gas (suction) side service port, while running the unit in the cooling mode. In doing so, care must be taken so that refrigerant may be discharged from the cylinder in the liquid phase all the time. When the cylinder valve is throttled down or a dedicated conversion tool to change liquid phase refrigerant into mist is used to protect the compressor, however, adjust charge conditions so that refrigerant will gasify upon entering the unit.
- In charging refrigerant, always charge a calculated volume by using a scale to measure the charge volume.
- When refrigerant is charged with the unit being run, complete a charge operation within 30minutes. Running the unit with an insufficient quantity of refrigerant for a long time can cause a compressor failure.

NOTE Put down the refrigerant volume calculated from the pipe length onto the caution label attached on the service panel.

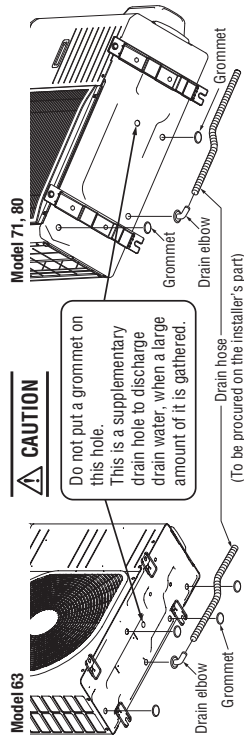
8) Heating and condensation prevention

- (1) Dress refrigerant pipes (both gas and liquid pipes) for heat insulation and prevention of dew condensation.
 - Improper heat insulation/anti-dew dressing can result in a water leak or dripping causing damage to household effects, etc.
- (2) Use a heat-insulating material that can withstand +20°C or a higher temperature. Poor heat-insulating capacity can cause heat-insulation problems or cable deterioration.
 - All gas pipes must be securely heat insulated in order to prevent damage from dripping water that comes from the condensation formed on them during a cooling operation or personal injury from burns because their surface can reach quite a high temperature due to discharged gas flowing inside during a heating operation.
 - Wrap indoor units' flare joints with heat-insulating parts (pipe cover) for heat insulation (both gas and liquid pipes).
 - Give heat insulation to both gas and liquid side pipes. Bundle a heat-insulating material and a pipe tightly together so that no gaps may be left between them and wrap them together with a connecting cable by a dressing tape.
 - **Both gas and liquid pipes need to be dressed with 20mm or thicker heat insulation materials above the ceiling where relative humidity exceeds 70%.**



3. DRAIN PIPING WORK

- Execute drain piping by using a drain elbow and drain grommets supplied separately as accessories, where water drained from the outdoor unit is a problem.
- Water may drip where there is a larger amount of drain water. Seal around the drain elbow and drain grommets with putty or adequate caulking material.
- Condensed water may flow out from vicinity of service valve or connected pipes.
- Where you are likely to have several days of sub-zero temperatures in a row, do not use a drain elbow and drain grommets. (There is a risk of drain water freezing inside and blocking the drain.)



- When condensed water needs to be led to a drain, etc., install the unit on a flat base (supplied separately as a locally procured part) or concrete blocks. Then, secure space for the drain elbow and the drain hose.

RCR012A200C

4. ELECTRICAL WIRING WORK For details of electrical cabling, refer to the indoor unit installation manual.

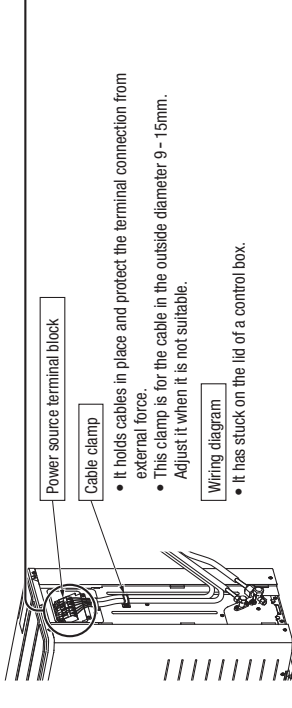
- Electrical installation work must be performed by an electrical installation service provider qualified by a power provider of the country. Electrical installation work must be executed according to the technical standards and other regulations applicable to electrical installations in the country.
- Do not use any power cable lighter than one specified in parentheses for each type below.
 - braided cord (code designation 60245 IEC 51)
 - ordinary tough rubber sheathed cord (code designation 60245 IEC 53)
 - flat twin tinsel cord (code designation 60227 IEC 41)
- Use polychloroprene sheathed flexible cord (code designation 60245 IEC57) for power cables of parts of appliances for outdoor use.
- Ground the unit. Do not connect the grounding wire to a gas pipe, water pipe, lightning rod or telephone grounding wire.
 - If improperly grounded, an electric shock or malfunction may result.
 - A grounding wire must be connected before connecting the power cable. Provide a grounding wire longer than the power cable.
 - The installation of an impulse withstanding type earth leakage breaker is necessary. A failure to install an earth leakage breaker can result in an accident such as an electric shock or a fire.
 - Do not turn on the power until the electrical work is completed.
 - Do not use a condensive capacitor for power factor improvement under any circumstances. (It does not improve power factor, while it can cause an abnormal overheating accident)

In case of faulty wiring connection, indoor unit dose not operate. Then, run lamp turns on and timer lamp blinks.

- Use cables for interconnection wiring to avoid loosening of the wires. CENELEC code for cables Required field cables.
- | |
|--|
| H05RN4G1.5 (Example) or 245IEC57 |
| H Harmonized cable type |
| 05 300/500 volts |
| R Natural-and/or synth. rubber wire insulation |
| N Polychloroprene rubber conductors insulation |
| R Stranded core |
| 4or5 Number of conductors |
| G One conductor of the cable is the earth conductor (yellow/green) |
| 1.5 Section of copper wire (mm ²) |

Main fuse specification

Specification	Part No.
250V 20A	SSA564A136A



Power source terminal block

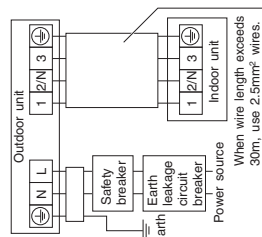
Cable clamp

- It holds cables in place and protect the terminal connection from external force.
- This clamp is for the cable in the outside diameter 9 - 15mm. Adjust it when it is not suitable.

Wiring diagram

- It has stuck on the lid of a control box.

Power cable, indoor-outdoor connecting wires

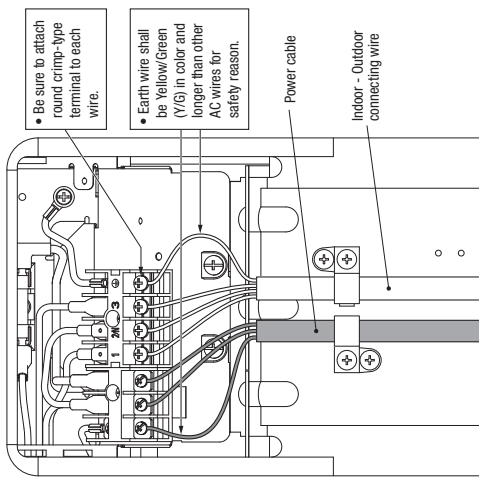


When wire length exceeds 30m, use 2.5mm² wires.

- Always perform grounding system installation work with the power cable unplugged.
- Connect a pair bearing a common terminal number with an indoor-outdoor connecting wire.
- In cabling, fasten cables securely with cable clamps so that no external force may work on terminal connections.
- Grounding terminals are provided in the terminal block.
- Use Polychloromene sheathed flexible cord (code designation 60245 IEC57, IEC60335-2-40) with cross-sectional area of 2.0 or 2.5 mm² for power cable of outdoor unit.

(POWER CABLE)
 CENELEC code for cables requiring fields cables.
 H05RN3G2.0 [MODEL 63]
 H05RN3G2.5 [MODEL 71, 80]

Power cable, indoor - outdoor connecting wire circuit diagram



- Be sure to attach round crimp-type terminal to each wire.

- Earth wire shall be Yellow/Green (Y/G) in color and longer than other AC wires for safety reason.

Always use an earth leakage circuit breaker designed for inverter circuits to prevent a faulty operation.

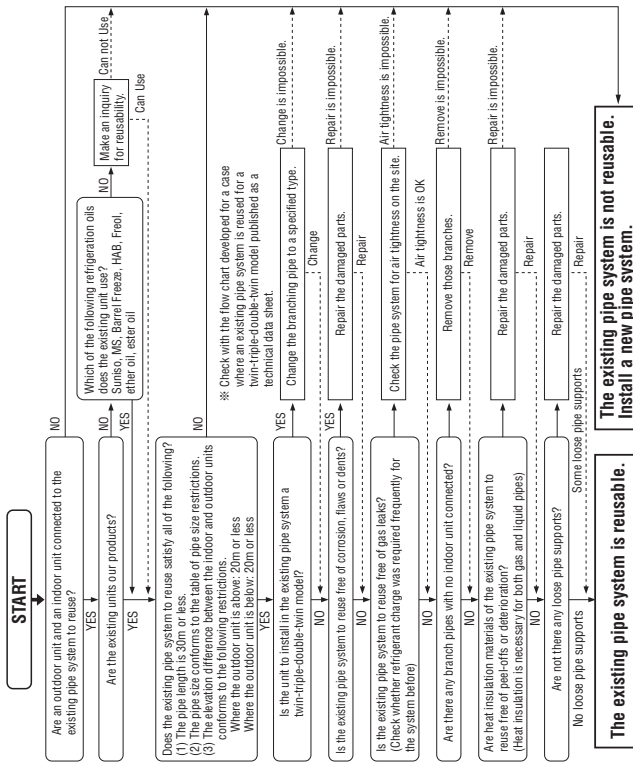
CAUTION

Model	Phase	Earth leakage breaker	Switchgear or Circuit Breaker		Power source (minimum)	Interconnecting and grounding wires (minimum)
			Over current protector rated capacity	Switch breaker		
Model 63	Single-phase	15A, 30mA, 0.1sec or less	16A	30A	2.0mm ²	1.5mm ² X 4
Model 71, 80	Single-phase	20A, 30mA, 0.1sec or less	20A	30A	2.5mm ²	1.5mm ² X 4

- The specifications shown in the above table are for units without heaters. For units with heaters, refer to the installation instructions or the construction instructions of the indoor unit.
- Switchgear or Circuit breaker capacity which is calculated from maximum over current should be chosen along the regulations in each country.
- The cable specifications are based on the assumption that a metal or plastic conduit is used with no more than three cables contained in a conduit and a voltage drop is 2%. For an installation falling outside of these conditions, follow the internal cabling regulations. Adapt it to the regulation in effect in each country.

5. UTILIZATION OF EXISTING PIPING

Check whether an existing pipe system is reusable or not by using the following flow chart.



<Table of pipe size restrictions>

○: Standard pipe size △: Restricted to shorter pipe length limits

Additional charge volume per meter of pipe	Model 63		Model 71, 80	
	20g/m	60g/m	25g/m	60g/m
Liquid pipe	06.35	09.52	06.35	09.52
Gas pipe	012.7	012.7	012.7	015.88
Usability	○	△	△	○
Maximum one-way pipe length	30	10	30	12
Length covered without additional charge	15	5	15	6

- Consult with our distributor in the area, if you need to recover refrigerant and charge it again.
- Any combinations of pipe sizes not listed in the table

Formula to calculate additional charge volume

Additional charge volume (g) =

(Main pipe length (m) - Length covered without additional charge shown in the table (m)) X Additional charge volume per meter of pipe shown in the table (g/m)

※ If you obtain a negative figure as a result of calculation, no additional refrigerant needs to be charged.

Example When an SRC63 is installed in a 10m long existing pipe system (liquid 09.52, gas 012.7), the quantity of refrigerant to charge additionally should be (10m-5m) X 60g/m = 300g.

WARNING

<Where the existing unit can be run for a cooling operation.>

Carry out the following steps with the existing unit (in the order of (1), (2), (3) and (4))

- (1) Run the unit for 30 minutes for a cooling operation.
- (2) Stop the indoor fan and run the unit for 3 minutes for a cooling operation (returning liquid)
- (3) Close the liquid side service valve of the outdoor unit and pump down (refrigerant recovery)
- (4) Blow with nitrogen gas. ※ If discolored refrigeration oil or any foreign matters is discharged by the blow, wash the pipe system or install a new pipe system.
 - For the flare nut, do not use the old one, but use the one supplied with the outdoor unit.
 - Process a flare to the dimensions specified for R410A.

<Where the existing unit cannot be run for a cooling operation.>

- Wash the pipe system or install a new pipe system.
- If you choose to wash the pipe system, contact our distributor in the area.

INSTALLATION TEST CHECK POINTS

Check the following points again after completion of the installation, and before turning on the power. Conduct a test run again and ensure that the unit operates properly. Explain to the customer how to use the unit and how to take care of the unit following the instruction manual.

- Power cables and connecting wires are securely fixed to the terminal block.
- The power source voltage is correct as the rating.
- The drain hose is fixed securely.
- Service valve is fully open.
- No gas leaks from the joints of the service valve.

After installation

- The pipe joints for indoor and outdoor pipes have been insulated.
- The reverse flow check cap is attached.
- The cover of the pipe cover (A) faces downward to prevent rain from entering.
- Gaps are properly sealed between the pipe covers (A) (B) and the wall surface / pipes.
- The screw of the side cover is tightened securely.

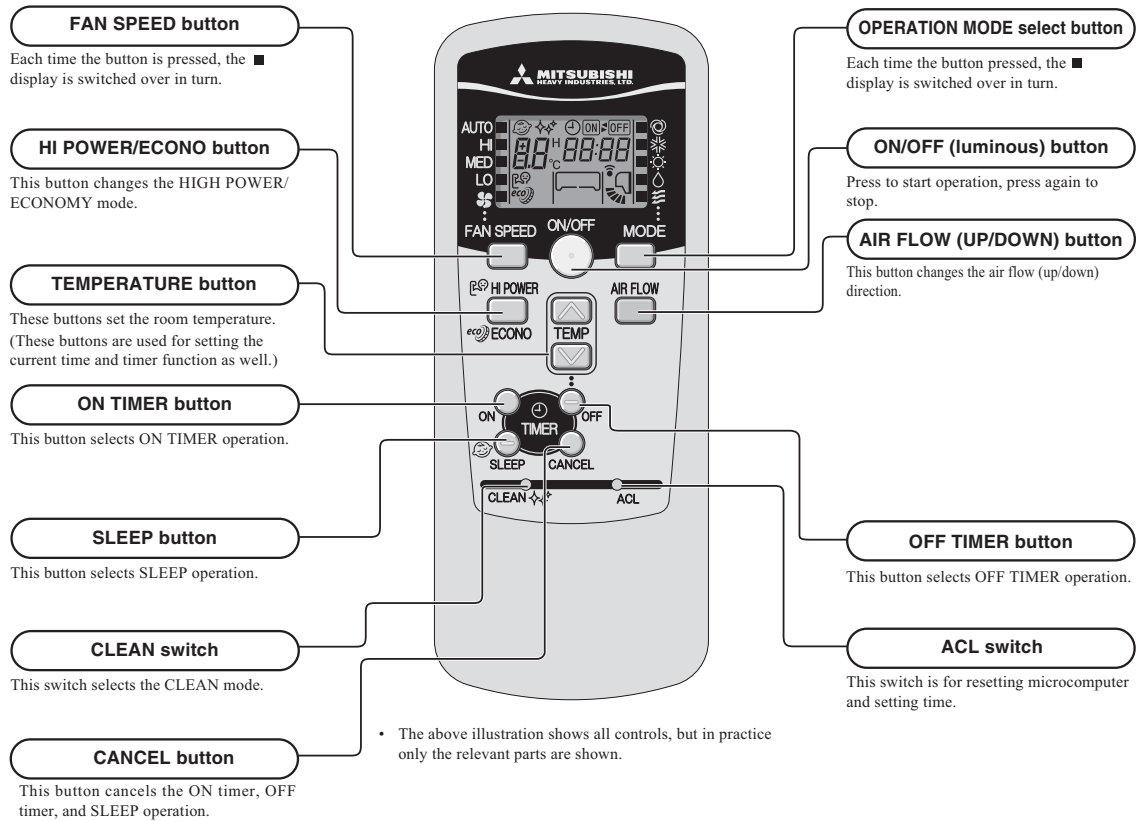
9. OUTLINE OF OPERATION CONTROL BY MICROCOMPUTER

(A) Models SRK20ZSPR-S, 25ZSPR-S, 35ZSPR-S, 45ZSPR-S

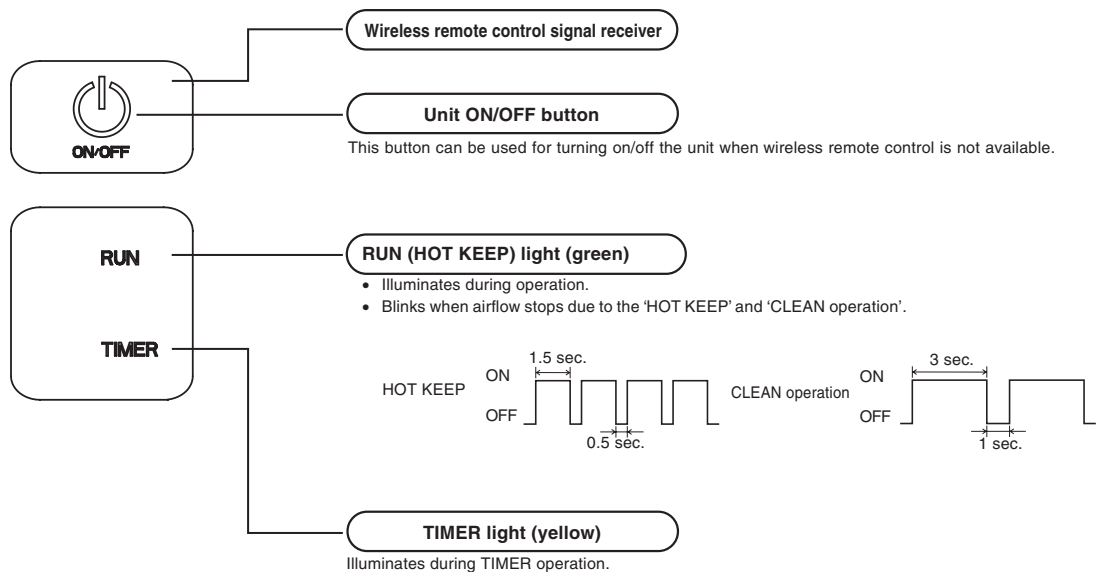
(1) Operation control function by wireless remote control

Remote control

◆ Operation section



Unit display section



(2) Unit ON/OFF button

When the wireless remote control batteries become weak, or if the wireless remote control is lost or malfunctioning, this button may be used to turn the unit on and off.

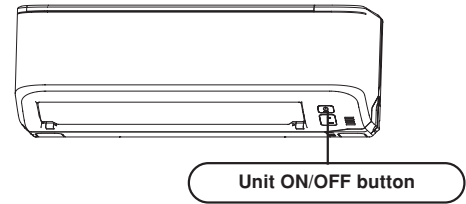
(a) Operation

Push the button once to place the unit in the automatic mode. Push it once more to turn the unit off.

(b) Details of operation

The unit will go into the automatic mode in which it automatically determines, from room temperature (as detected by sensor), whether to go into COOL, DRY or HEAT modes.

Function	Room temperature setting	Fan speed	Flap	Timer switch
COOL	About 24°C	Auto	Auto	Continuous
DRY	About 24°C			
HEAT	About 26°C			



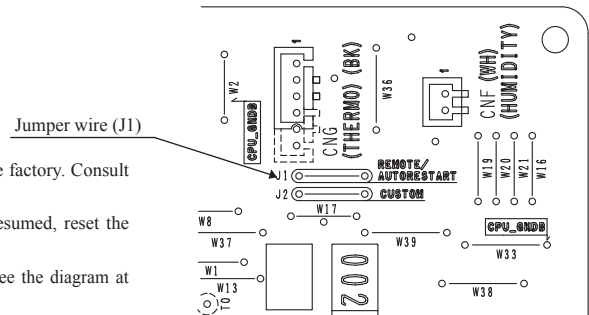
(3) Auto restart function

(a) Auto restart function records the operational status of the air-conditioner immediately prior to be switched off by a power cut, and then automatically resumes operations after the power has been restored.

(b) The following settings will be cancelled:

- (i) Timer settings
- (ii) HIGH POWER operation

- Notes
- (1) Auto restart function is set at on when the air-conditioner is shipped from the factory. Consult with your dealer if this function needs to be switched off.
 - (2) When power failure occurs, the timer setting is cancelled. Once power is resumed, reset the timer.
 - (3) If the jumper wire (J1) "AUTO RESTART" is cut, auto restart is disabled. (See the diagram at right)



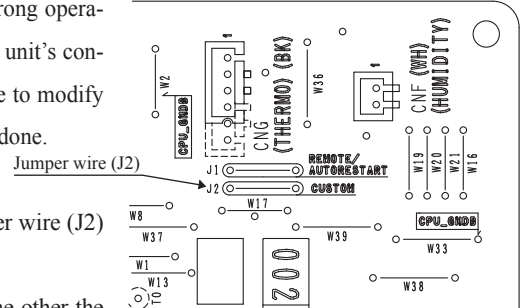
(4) Custom cord switching procedure

If two wireless remote control are installed in one room, in order to prevent wrong operation due to mixed signals, please modify the printed circuit board in the indoor unit's control box and the wireless remote control using the following procedure. Be sure to modify both boards. If only one board is modified, receiving (and operation) cannot be done.

(a) Modifying the indoor unit's printed circuit board

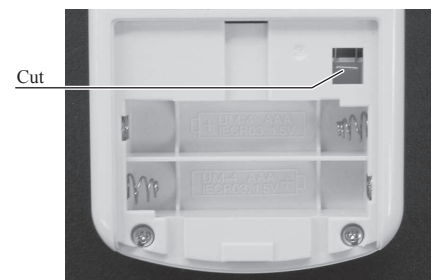
Take out the printed circuit board from the control box and cut off jumper wire (J2) using wire cutters.

After cutting of the jumper wire, take measures to prevent contact with the other the lead wires, etc.



(b) Modifying the wireless remote control

- (i) Remove the battery.
- (ii) Cut the jumper wire shown in the figure at right.



(5) High power operation

Pressing the HI POWER/ECONO button intensifies the operating power and initiates powerful cooling and heating operation for 15 minutes continuously. The wireless remote control displays and the FAN SPEED display disappears.

- (a) During the HIGH POWER operation, the room temperature is not controlled. When it causes an excessive cooling and heating, press the HI POWER/ECONO button again to cancel the HIGH POWER operation.
- (b) HIGH POWER operation is not available during dehumidifying and the program timer operations.
- (c) When HIGH POWER operation is set after ON TIMER operation, HIGH POWER operation will start from the set time.
- (d) When the following operation are set, HIGH POWER operation will be canceled.
 - ① When the HI POWER/ECONO button is pressed again.
 - ② When the operation mode is changed.
 - ③ When it has been 15 minutes since HIGH POWER operation has started.
- (e) Not operable while the air-conditioner is OFF.

(6) Economy operation

Pressing the HI POWER/ECONO button initiate a soft operation with the power suppressed in order to avoid an excessive cooling or heating. The unit operate 1.5°C higher than the setting temperature during cooling or 2.5°C lower than that during heating. The wireless remote control displays ECONO mark and the FAN SPEED display disappears.

- (a) It will go into ECONOMY operation at the next time the air-conditioner runs in the following cases.
 - ① When the air-conditioner is stopped by ON/OFF button during ECONOMY operation.
 - ② When the air-conditioner is stopped in SLEEP or OFF TIMER operation during ECONOMY operation.
 - ③ When the operation is retrieved from CLEAN operation.
- (b) When the following operation are set, ECONOMY operation will be canceled.
 - ① When the HI POWER/ECONO button is pressed again.
 - ② When the operation mode is changed DRY to FAN.
- (c) Not operable while the air-conditioner is OFF.
- (d) The setting temperature is adjusted according to the following table.

Mode	Cooling	Heating
Temperature adjustment	① +0.5 ② +1.0 ③ +1.5	① -1.0 ② -2.0 ③ -2.5

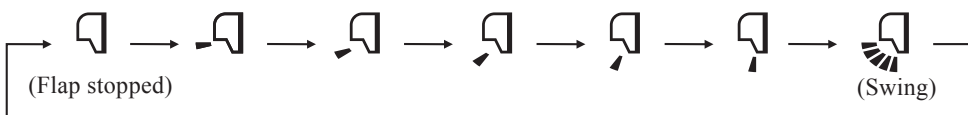
- ① at the start of operation.
- ② one hour after the start of operation.
- ③ two hours after the start of operation.

(7) Flap control






Control the flap by AIR FLOW  (UP/DOWN) button on the wireless remote control.

(a) Flap

Each time when you press the AIR FLOW  (UP/DOWN) button the mode changes as follows.

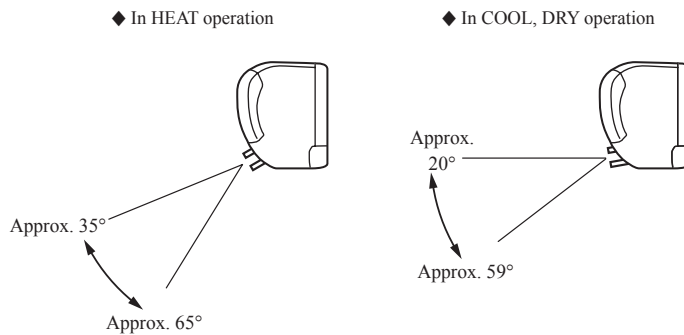


• Angle of flap from horizontal

Remote control display					
COOL , DRY	Approx. 15°	Approx. 25°	Approx. 35°	Approx. 45°	Approx. 59°
HEAT	Approx. 25°	Approx. 35°	Approx. 50°	Approx. 59°	Approx. 65°

(b) Swing

Flap moves in upward and downward directions continuously.



(c) Memory flap

When you press the AIR FLOW (UP/DOWN) button once while the flap is operating, it stops swinging at an angle. Since this angle is memorized in the microcomputer, the flap will automatically be set at this angle when the next operation is started.

(d) When not operating

The flap returns to the position of air flow directly below, when operation has stopped.

(8) Timer operation

(a) Comfortable timer setting (ON timer)

If the timer is set at ON when the operation select switch is set at the cooling or heating, or the cooling or heating in auto mode operation is selected, the comfortable timer starts and determines the starting time of next operation based on the initial value of 15 minutes and the relationship between the room temperature at the setting time (temperature of room temperature sensor) and the setting temperature.

(b) Sleep timer operation

Pressing the SLEEP button causes the temperature to be controlled with respect to the set temperature.

(c) OFF timer operation

The Off timer can be set at a specific time (in 10-minute units) within a 24-hour period.

(9) Outline of heating operation

(a) Operation of major functional components in heating mode

	Heating			
	Thermostat ON	Thermostat OFF	Defrost	Failure
Compressor	ON	OFF	OFF	OFF
Indoor fan motor	ON	ON(HOT KEEP)	OFF	OFF
Outdoor fan motor	ON	OFF (few minutes ON)	OFF	OFF
4-way valve	ON	ON	OFF	OFF (3 minutes ON)

(b) Details of control at each operation mode (pattern)

(i) Fuzzy operation

Deviation between the room temperature setting correction temperature and the suction air temperature is calculated in accordance with the fuzzy rule, and used for control of the air capacity and the compressor command speed.

Model	SRK20ZSPR-S	SRK25ZSPR-S	SRK35ZSPR-S	SRK45ZSPR-S
Fan speed				
AUTO	20-115rps			12-110rps
HI	20-115rps			12-110rps
MED	20-72rps		20-84rps	12-78rps
LO	20-54rps		20-62rps	12-50rps

When the defrosting, protection device, etc. is actuated, operation is performed in the corresponding mode.

(ii) Hot keep operation

If the hot keep operation is selected during the heating operation, the indoor blower is controlled based on the temperature of the indoor heat exchanger (Th2) to prevent blowing of cool wind.

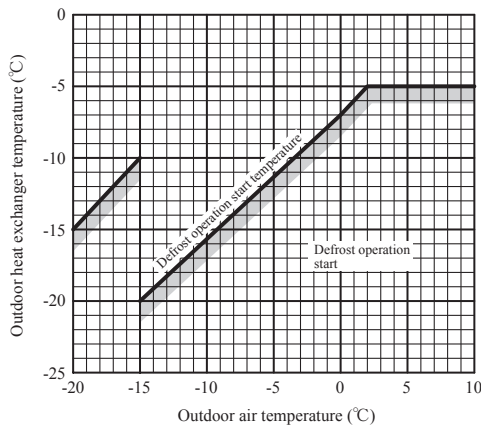
However, if the fan speed setting is HI and room temperature is 19°C or higher, this control is not executed.

(c) Defrost operation

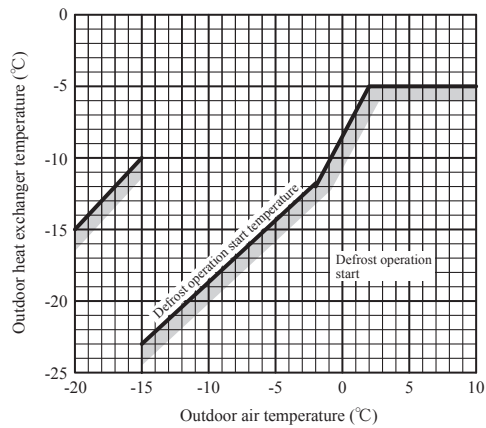
(i) Starting conditions (Defrost operation can be started only when all of the following conditions are satisfied.)

- 1) After start of heating operation
When it elapsed 35 (model SRK35 : 45) minutes. (Accumulated compressor operation time)
- 2) After end of defrost operation
When it elapsed 35 (model SRK35 : 45) minutes. (Accumulated compressor operation time)
- 3) Outdoor heat exchanger sensor (TH1) temperature
When the temperature has been below -5°C for 3 minutes continuously.
- 4) The difference between the outdoor air sensor temperature and the outdoor heat exchanger sensor temperature
 - The outdoor air temperature $\geq 0^{\circ}\text{C}$ (model SRK45 : $\geq -2^{\circ}\text{C}$) : 7°C (model SRK45 : 10°C) or higher
 - $-15^{\circ}\text{C} \leq$ The outdoor air temperature $< 0^{\circ}\text{C}$ (model SRK45 : $\geq -2^{\circ}\text{C}$) : $2/15 \times$ The outdoor air temperature + 7°C (model SRK45 : $+10^{\circ}\text{C}$) or higher
 - The outdoor air temperature $< -15^{\circ}\text{C}$: -5°C or higher

Models SRK20, 25, 35ZSPR-S



Model SRK45ZSPR-S

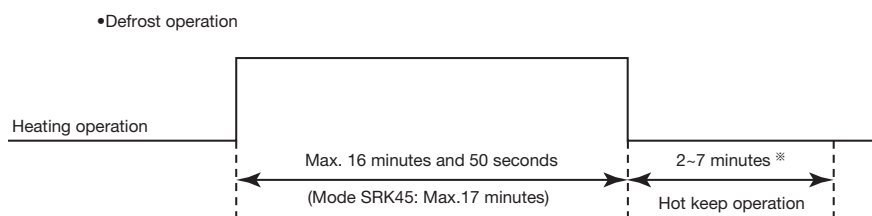


5) During continuous compressor operation

In addition, when the speed command from the indoor control of the indoor unit during heating operation has counted 0 rps 10 times or more and all conditions of 1), 2), 3) and 5) above and the outdoor air temperature is 3°C or less are satisfied (note that when the temperature for outdoor heat exchanger sensor (TH1) is -5°C or less: 62 rps or more, -4°C or less: less than 62 rps), defrost operation is started.

(ii) Ending conditions (Operation returns to the heating cycle when either one of the following is satisfied.)

- 1) Outdoor heat exchanger sensor (TH1) temperature: 13°C or higher
- 2) Continued operation time of defrost operation → For more than 16 minutes and 50 seconds (model SRK45 : 17 minutes).



※Depends on an operation condition, the time can be longer than 7 minutes.

(10) Outline of cooling operation

(a) Operation of major functional components in cooling mode

	Cooling		
	Thermostat ON	Thermostat OFF	Failure
Compressor	ON	OFF	OFF
Indoor fan motor	ON	ON	ON
Outdoor fan motor	ON	OFF (few minutes ON)	OFF (few minutes ON)
4-way valve	OFF	OFF	OFF

(b) Detail of control in each mode (Pattern)

(i) Fuzzy operation

During the fuzzy operation, the air flow and the compressor command speed are controlled by calculating the difference between the room temperature setting correction temperature and the suction air temperature.

Fan speed	Model	SRK20ZSPR-S	SRK25ZSPR-S	SRK35ZSPR-S	SRK45ZSPR-S
AUTO		20-74rps		20-98rps	12-96rps
HI		20-74rps		20-98rps	12-96rps
MED		20-52rps		20-74rps	12-62rps
LO		20-38rps		20-46rps	12-38rps

(11) Outline of dry (dehumidifying) operation

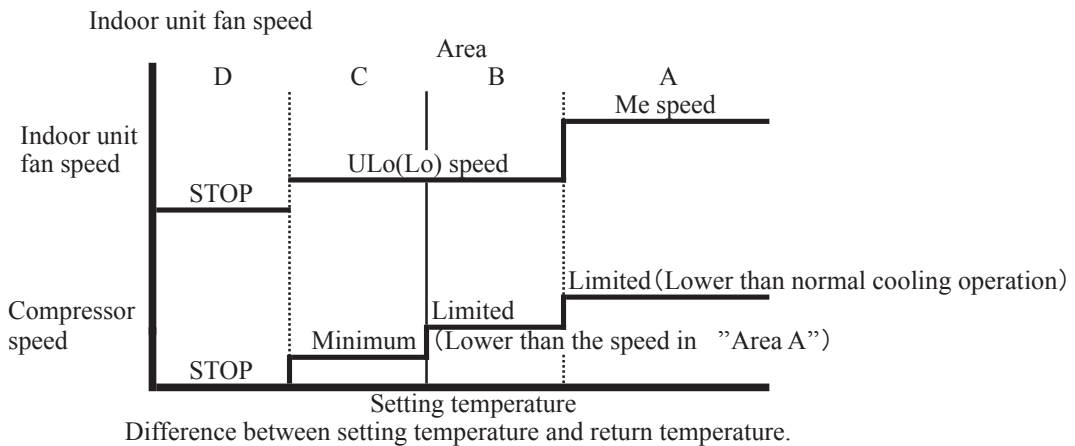
(a) Purpose of DRY mode

The purpose is "Dehumidification", and not to control the humidity to the target condition.

Indoor/outdoor unit control the operation condition to reduce the humidity, and also prevent over cooling.

(b) Outline of control

(i) Indoor unit fan speed and compressor are controlled by the area which is selected by the temperature difference.



(ii) The indoor unit check the current area by every 5 minutes, and operate by the next checking.

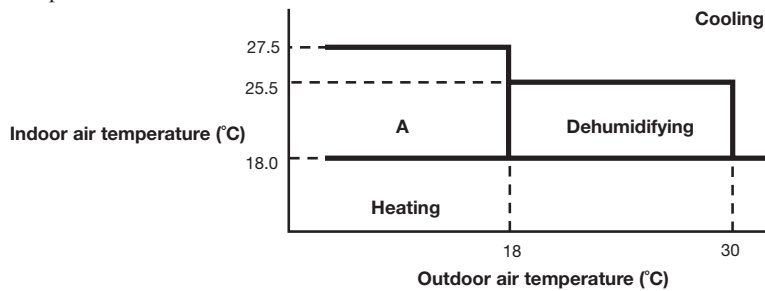
(c) Other

When the outdoor air temperature and room temperature is low for cooling operation, indoor unit can not operate in cooling. In this case, the units operate in heating to rise the room temperature, and after that start dehumidifying operation.

(12) Outline of automatic operation

(a) Determination of operation mode

The unit checks the indoor air temperature and the outdoor air temperature, determines the operation mode, and then begins in the automatic operation.



- (b) The unit checks the temperature every hour after the start of operation and, if the result of check is not same as the previous operation mode, changes the operation mode.
 - (i) If the setting temperature is changed with the wireless remote control, the operation mode is judged immediately.
 - (ii) When both the indoor and the outdoor air temperatures are in the range “A”, cooling or heating is switched depending on the difference between the setting temperature and the indoor air temperature.
 - (iii) When the operation mode has been judged following the change of setting temperature with the wireless remote control, the hourly judgment of operation mode is cancelled.
- (c) When the unit is started again within one hour after the stop of automatic operation or when the automatic operation is selected during heating, cooling or dehumidifying operation, the unit is operated in the previous operation mode.
- (d) Setting temperature can be adjusted within the following range. There is the relationship as shown below between the signals of the wireless remote control and the setting temperature.

		Signals of wireless remote control (Display)												
		-6	-5	-4	-3	-2	-1	±0	+1	+2	+3	+4	+5	+6
Setting temperature	Cooling	18	19	20	21	22	23	24	25	26	27	28	29	30
	Dehumidifying	19	20	21	22	23	24	25	26	27	28	29	30	31
	Heating	20	21	22	23	24	25	26	27	28	29	30	31	32

(13) Protection control function

(a) Dew prevention control [Cooling]:Prevents dewing on the indoor unit.

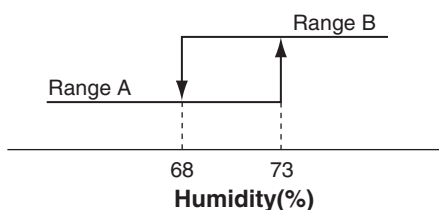
- (i) **Operating conditions:**When the following conditions have been satisfied for more than 30 minutes after starting operation
 - 1) Compressor's command speed is 32 rps or higher. (SRK20, 25, 35 only)
 - 2) Detected value of humidity is 68% or higher.

(ii) Contents of operation

- 1) Air capacity control

Item		Model	SRK20, 25, 35ZSPR-S	SRK45ZSPR-S
		LO	Upper limit of compressor's command speed	
Indoor fan			4th speed	
AUTO, HI, MED	Upper limit of compressor's command speed		RangeA: 45rps, RangeB: 45rps	RangeA: 50rps, RangeB: 34rps
	Indoor fan		Adaptable to compressor's command speed (Lower limit 4th speed)	

Note (1) Ranges A and B are as shown below.



- 2) When this control has continued for more than 30 minutes continuously, the following wind direction control is performed.
 - a) When the vertical wind direction is set at other than the vertical swing, the flaps change to the horizontal position.
 - b) When the horizontal wind direction is set at other than the horizontal swing, the louver changes to the vertical position.

(iii) Reset condition: When any of the followings is satisfied.

- 1) Compressor's command speed is less than 32 rps. (SRK20, 25, 35 only)
- 2) Detected value of humidity is less than 63%.

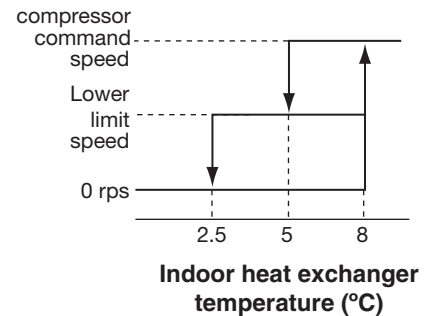
(b) Frost prevention control (During cooling or dehumidifying)

(i) Operating conditions

- 1) Indoor heat exchanger temperature (Th2) is lower than 5°C.
- 2) 5 minutes after reaching the compressor command speed except 0 rps.

(ii) Detail of anti-frost operation

Indoor heat exchanger temperature	5°C or lower	2.5°C or lower
Item		
Lower limit of compressor command speed	22 rps	0 rps
Indoor fan	Depends on operation mode	Protects the fan tap just before frost prevention control
Outdoor fan	Depends on command speed	Depends on stop mode
4-way valve	OFF	



- Notes
- (1) When the indoor heat exchanger temperature is in the range of 2.5-5°C, the speed is reduced by 4 rps at each 20 seconds.
 - (2) When the temperature is lower than 2.5°C, the compressor is stopped.
 - (3) When the indoor heat exchanger temperature is in the range of 5-8°C, the compressor command speed is been maintained.

(iii) Reset conditions: When either of the following condition is satisfied.

- 1) The indoor heat exchanger temperature (Th2) is 8°C or higher.
- 2) The compressor command speed is 0 rps.

(c) Cooling overload protective control

(i) Operating conditions: When the outdoor air temperature (TH2) has become continuously for 30 seconds at 41°C or more, or 47°C or more (model SRK45 : 41°C or more) with the compressor running, the lower limit speed of compressor is brought up.

Model	SRK20, 25, 35ZSPR-S		SRK45ZSPR-S
Item			
Outdoor air temperature	41°C or more	47°C or more	41°C or more
Lower limit speed	30 rps	40 rps	30 rps

(ii) Detail of operation

- 1) The outdoor fan is stepped up by 3 speed step. (Upper limit 8th speed.)
- 2) The lower limit of compressor command speed is set to 30 or 40 (model SRK45 : 30) rps and even if the calculated result becomes lower than that after fuzzy calculation, the speed is kept to 30 or 40 (model SRK45 : 30) rps. However, when the thermo OFF, the speed is reduced to 0 rps.

(iii) Reset conditions: When either of the following condition is satisfied.

- 1) The outdoor air temperature is lower than 40°C.
- 2) The compressor command speed is 0 rps.

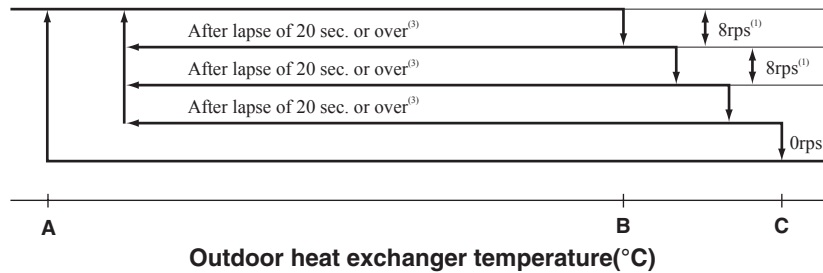
(d) **Cooling high pressure control**

(i) **Purpose:** Prevents anomalous high pressure operation during cooling.

(ii) **Detector:** Outdoor heat exchanger sensor (TH1)

(iii) **Detail of operation:**

(Example) Fuzzy



- Notes (1) When the outdoor heat exchanger temperature is in the range of B-C °C, the speed is reduced by 8 rps at each 20 seconds.
 (2) When the temperature is C °C or higher, the compressor is stopped.
 (3) When the outdoor heat exchanger temperature is in the range of A-B °C, if the compressor command speed is been maintained and the operation has continued for more than 20 seconds at the same speed, it returns to the normal cooling operation.

● **Temperature list**

	A	B	C
Outdoor air temperature ≥ 32 °C	50	52	56
Outdoor air temperature < 32 °C	42	44	50

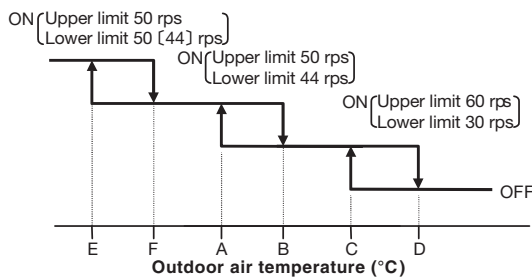
(e) **Cooling low outdoor air temperature protective control**

(i) **Operating conditions:** When the outdoor air temperature (TH2) is 22°C or lower continues for 20 seconds while the compressor command speed is other than 0 rps.

(ii) **Detail of operation:**

- The lower limit of the compressor command speed is set to 50 [44] <44> (30) rps and even if the speed becomes lower than 50 [44] <44> (30) rps, the speed is kept to 50 [44] <44> (30) rps. However, when the thermo OFF, the speed is reduced to 0 rps.
- The upper limit of the compressor command speed is set to 50 <50> (60) rps and even if the calculated result becomes higher than that after fuzzy calculation, the speed is kept to 50 <50> (60) rps.

- Notes (1) Values in < > are for outdoor air temperature is A°C or B°C
 (2) Values in () are for outdoor air temperature is C°C or D°C
 (3) Values in [] are for the model SRK45.



● Values of A, B, C, D, E, F (Models SRK20, 25, 35)

	Outdoor air temperature (°C)					
	E	F	A	B	C	D
First time	-8	-5	0	3	22	25
After the second times	-2	1	5	8	25	28

● Values of A, B, C, D, E, F (Model SRK45)

	Outdoor air temperature (°C)					
	E	F	A	B	C	D
First time	0	2	9	11	22	25
After the second times	5	7	16	19	25	28

(iii) **Reset conditions:** When either of the following condition is satisfied

- The outdoor air temperature (TH2) is D °C or higher.
- The compressor command speed is 0 rps.

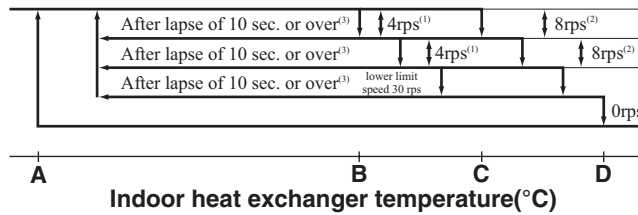
(f) Heating high pressure control

(i) **Purpose:** Prevents anomalous high pressure operation during heating.

(ii) **Detector:** Indoor heat exchanger sensor (Th2)

(iii) **Detail of operation:**

(Example) Fuzzy



- Notes (1) When the indoor heat exchanger temperature is in the range of B-C °C, the speed is reduced by 4 rps at each 10 seconds.
 (2) When the indoor heat exchanger temperature is in the range of C-D °C, the speed is reduced by 8 rps at each 10 seconds. When the temperature is D °C or higher continues for 1 minute, the compressor is stopped.
 (3) When the indoor heat exchanger temperature is in the range of A-B °C, if the compressor command speed is been maintained and the operation has continued for more than 10 seconds at the same speed, it returns to the normal heating operation.
 (4) Indoor fan retains the fan tap when it enters in the high pressure control. Outdoor fan is operated in accordance with the speed.

● Temperature list

Models SRK20, 25, 35 Unit : °C

	A	B	C	D
RPSmin < 50	48	52	54	55
50 ≤ RPSmin < 91	48.5	54.5	58	61
91 ≤ RPSmin < 97	48.5	54.5 – 51.5	58	61
97 ≤ RPSmin < 100	48.5	51.5 – 50	58 – 56	61
100 ≤ RPSmin < 115	48.5 – 40.1	50 – 42	56 – 47.3	61
115 ≤ RPSmin	40.1	42	47.3	61

Model SRK45 Unit : °C

	A	B	C	D
RPSmin < 80	46	54	56	58 – 62
80 ≤ RPSmin < 102	46 – 33.5	54 – 38.5	56 – 39.5	58 – 51
102 ≤ RPSmin < 120	33.5	38.5	39.5	51
120 ≤ RPSmin	33.5	38.5	39.5	51

Note (1) RPSmin: The lower one between the compressor command speed

(g) Heating overload protective control

(i) Indoor unit side

- Operating conditions :** When the outdoor air temperature (TH2) is 17°C or higher continues for 30 seconds while the compressor command speed other than 0 rps.
- Detail of operation :** The indoor fan is stepped up by 1 speed step. (Upper limit 8th speed)
- Reset conditions :** The outdoor air temperature (TH2) is lower than 16°C.

(ii) Outdoor unit side

- Operating conditions :** When the outdoor air temperature (TH2) is 17 or 22 (14 or 20)°C or higher continues for 30 seconds while the compressor command speed other than 0 rps.
- Detail of operation:** Upper and lower limits of compressor speed and the outdoor unit fan speed are restricted.

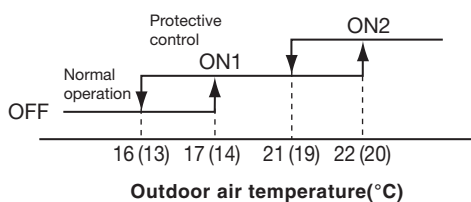
Models SRK20, 25, 35

	Compressor command speed (rps)		Outdoor fan speed
	Lower limit	Upper limit	
ON1	–	–	2nd speed
ON2	40	60	1st speed

Model SRK45

	Compressor command speed (rps)		Outdoor fan speed
	Lower limit	Upper limit	
ON1	30	78	(1)
ON2	30	51	2nd speed

Note (1) Outdoor fan speed
 Lower limit : 4th speed
 Upper limit : 7th speed



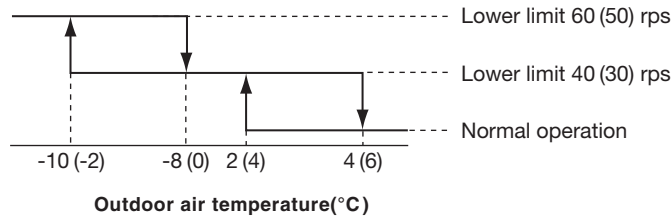
3) **Reset conditions:** When the outdoor air temperature drops below 16 (13) °C.

Note (1) Values in () are for the model SRK45.

(h) Heating low outdoor temperature protective control

(i) Protective control I

- 1) **Operating conditions:** When the outdoor air temperature (TH2) is lower than 2 (4)°C or higher continues for 30 seconds while the compressor command speed is other than 0 rps.
- 2) **Detail of operation:** The lower limit compressor command speed is changed as shown in the figure below.



- 3) **Reset conditions:** When either of the following condition is satisfied.
 - a) The outdoor air temperature (TH2) becomes 4 (6)°C.
 - b) The compressor command speed is 0 rps.

Note (1) Values in () are for the model SRK45.

(ii) Protective control II (Models SRK20, 25, 35 only)

- 1) **Operating conditions:** When the outdoor heat exchanger sensor (TH1) is -10°C or lower continuously for 10 minutes while the compressor command speed is other than 0 rps.
- 2) **Detail of operation:** Upper limit of compressor command speed is 115 rps.
- 3) **Reset conditions:** When the either of the following condition is satisfied.
 - a) When the outdoor heat exchanger sensor (TH1) becomes -8°C or higher.
 - b) When the compressor command speed is 0 rps.

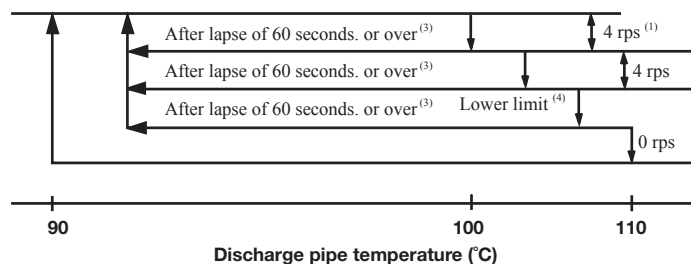
(i) Compressor overheat protection

(i) Purpose: It is designed to prevent deterioration of oil, burnout of motor coil and other trouble resulting from the compressor overheat.

(ii) Detail of operation

- 1) Speeds are controlled with temperature detected by the sensor mounted on the discharge pipe.

(Example) Fuzzy



- Notes (1) When the discharge pipe temperature is in the range of 100 to 110 °C, the speed is reduced by 4 rps.
 (2) When the discharge pipe temperature is raised and continues operation for 20 seconds without changing, then the speed is reduced again by 4 rps.
 (3) If the discharge pipe temperature is in the range of 90–100°C even when the compressor command speed is maintained for 60 seconds when the temperature is in the range of 90–100°C, the speed is raised by 1 rps and kept at that speed for 60 second. This process is repeated until the command speed is reached.
 (4) Lower limit speed

	Cooling	Heating
All models	20 rps	30 rps

- 2) If the temperature of 110°C is detected by the sensor on the discharge pipe, then the compressor will stop immediately. When the discharge pipe temperature drops and the time delay of 3 minutes is over, the unit starts again within 1 hour but there is no start at the third time.

(j) Current safe

(i) Purpose: Current is controlled not to exceed the upper limit of the setting operation current.

(ii) Detail of operation: Input current to the converter is monitored with the current sensor fixed on the printed circuit board of the outdoor unit and, if the operation current value reaches the limiting current value, the compressor command speed is reduced.

If the mechanism is actuated when the speed of compressor command is less than 30 rps, the compressor is stopped immediately. Operation starts again after a delay time of 3 minutes.

(k) Current cut

(i) Purpose: Inverter is protected from overcurrent.

(ii) Detail of operation: Output current from the converter is monitored with a shunt resistor and, if the current exceeds the setting value, the compressor is stopped immediately. Operation starts again after a delay time of 3 minutes.

(l) Outdoor unit failure

This is a function for determining when there is trouble with the outdoor unit during air-conditioning.

The compressor is stopped if any one of the following in item (i), (ii) is satisfied. Once the unit is stopped by this function, it is not restarted.

(i) When the input current is measured at 1 A or less for 3 continuous minutes or more.

(ii) If the compressor command sends a 0 rps signal to the indoor unit 3 times or more within 20 minutes of the power being turned on.

(m) Indoor fan motor protection

When the air-conditioner is operating and the indoor fan motor is turned ON, if the indoor fan motor has operated at 300 min^{-1} or under for more than 30 seconds, the unit enters first in the stop mode and then stops the entire system.

(n) Serial signal transmission error protection

(i) Purpose: Prevents malfunction resulting from error on the indoor ↔ outdoor signals.

(ii) Detail of operation: If the compressor is operating and a serial signal cannot be received from the indoor control with outdoor control having serial signals continues for 7 minute and 35 seconds, the compressor is stopped.

After the compressor has been stopped, it will be restarted after the compressor start delay if a serial signal can be received again from the indoor control.

(o) Rotor lock

If the motor for the compressor does not turn after it has been started, it is determined that a compressor lock has occurred and the compressor is stopped.

(p) Outdoor fan motor protection

If the outdoor fan motor has operated at 75 min^{-1} or under for more than 30 seconds, the compressor and fan motor are stopped.

(q) Outdoor fan control at low outdoor temperature

(i) Cooling

- 1) **Operating conditions:** When the outdoor air temperature (TH2) is 22°C or lower continues for 30 seconds while the compressor command speed is other than 0 rps.
- 2) **Detail of operation:** After the outdoor fan operates at A speed for 60 seconds; the corresponding outdoor heat exchanger temperature shall implement the following controls.

● Value of A

	Outdoor fan
Outdoor temperature > 10°C	2nd speed
Outdoor temperature ≤ 10°C	1st speed

- a) Outdoor heat exchanger temperature (TH1) ≤ 21°C
After the outdoor fan speed drops (down) to 1 speed for 60 seconds; if the outdoor heat exchanger temperature is lower than 21°C, gradually reduce the outdoor fan speed by 1 speed. (Lower limit 1st speed)
 - b) 21°C < Outdoor heat exchanger temperature (TH1) ≤ 38°C
After the outdoor fan speed maintains at A speed for 20 seconds; if the outdoor heat exchanger temperature is 21°C-38°C, maintain outdoor fan speed.
 - c) Outdoor heat exchanger temperature (TH1) > 38°C
After the outdoor fan speed rises (up) to 1 speed for 60 seconds; if the outdoor heat exchanger temperature is higher than 38°C, gradually increase outdoor fan speed by 1 speed. (Upper limit 3rd speed)
- 3) **Reset conditions:** When either of the following conditions is satisfied.
 - a) The outdoor air temperature (TH2) is 25°C or higher.
 - b) The compressor command speed is 0 rps.

(ii) Heating

- 1) **Operating conditions:** When the outdoor air temperature (TH2) is 4°C (model SRK45 : 0°C) or lower continues for 30 seconds while the seconds while the compressor command speed is other than 0 rps.
- 2) **Detail of operation:** The outdoor fan is stepped up by 2 speed step at each 20 seconds. (Upper limit 8th speed)
- 3) **Reset conditions:** When either of the following conditions is satisfied.
 - a) The outdoor air temperature (TH2) is 6°C (model SRK45 : 2°C) or higher.
 - b) The compressor command speed is 0 rps.

(r) Refrigeration cycle system protection

(i) Starting conditions

- 1) When 5 minutes have elapsed after the compressor ON or the completion of the defrost operation.
- 2) Other than the defrost operation.
- 3) When, after satisfying the conditions of 1) and 2) above, the compressor speed, indoor air temperature (Th1) and indoor heat exchanger temperature (Th2) have satisfied the conditions in the following table for 10 (model SRK45 : 5) minutes:

Operation mode	Compressor speed (N)	Indoor air temperature (Th1)	Indoor air temperature (Th1)/ Indoor heat exchanger temperature (Th2)
Cooling	50 ≅ N	10 ≅ Th1 ≅ 40	Th1 - 4 < Th2
Heating(1)	50 ≅ N	0 ≅ Th1 ≅ 40	Th2 < Th1 + 6

Note (1) Except that the fan speed is HI in heating operation.

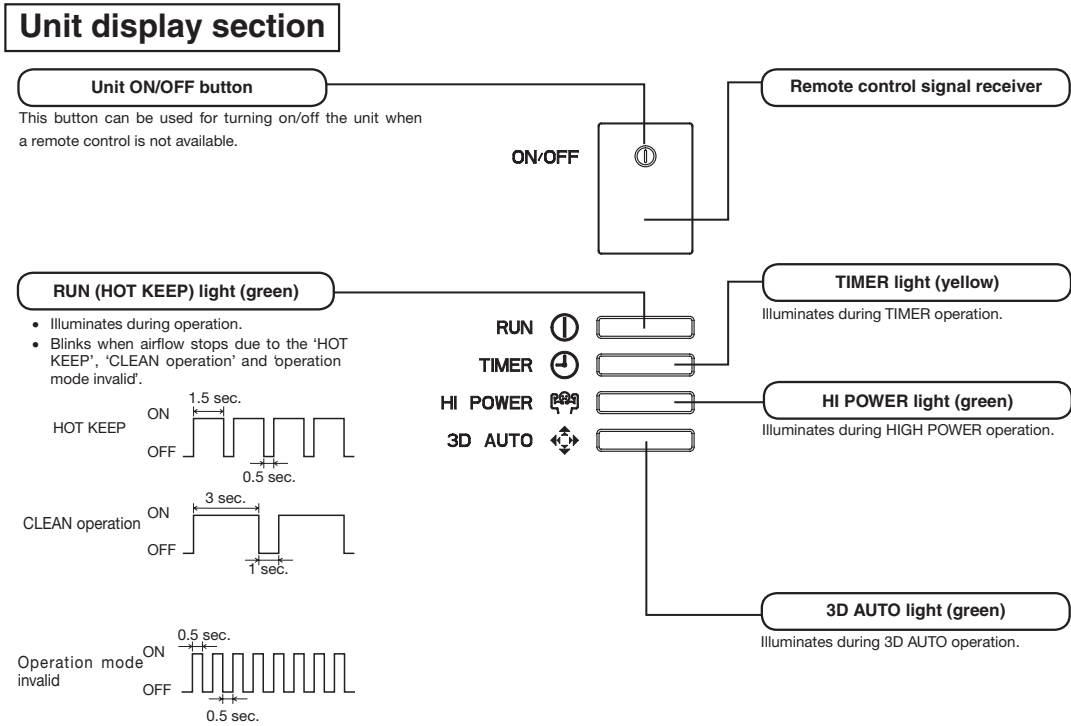
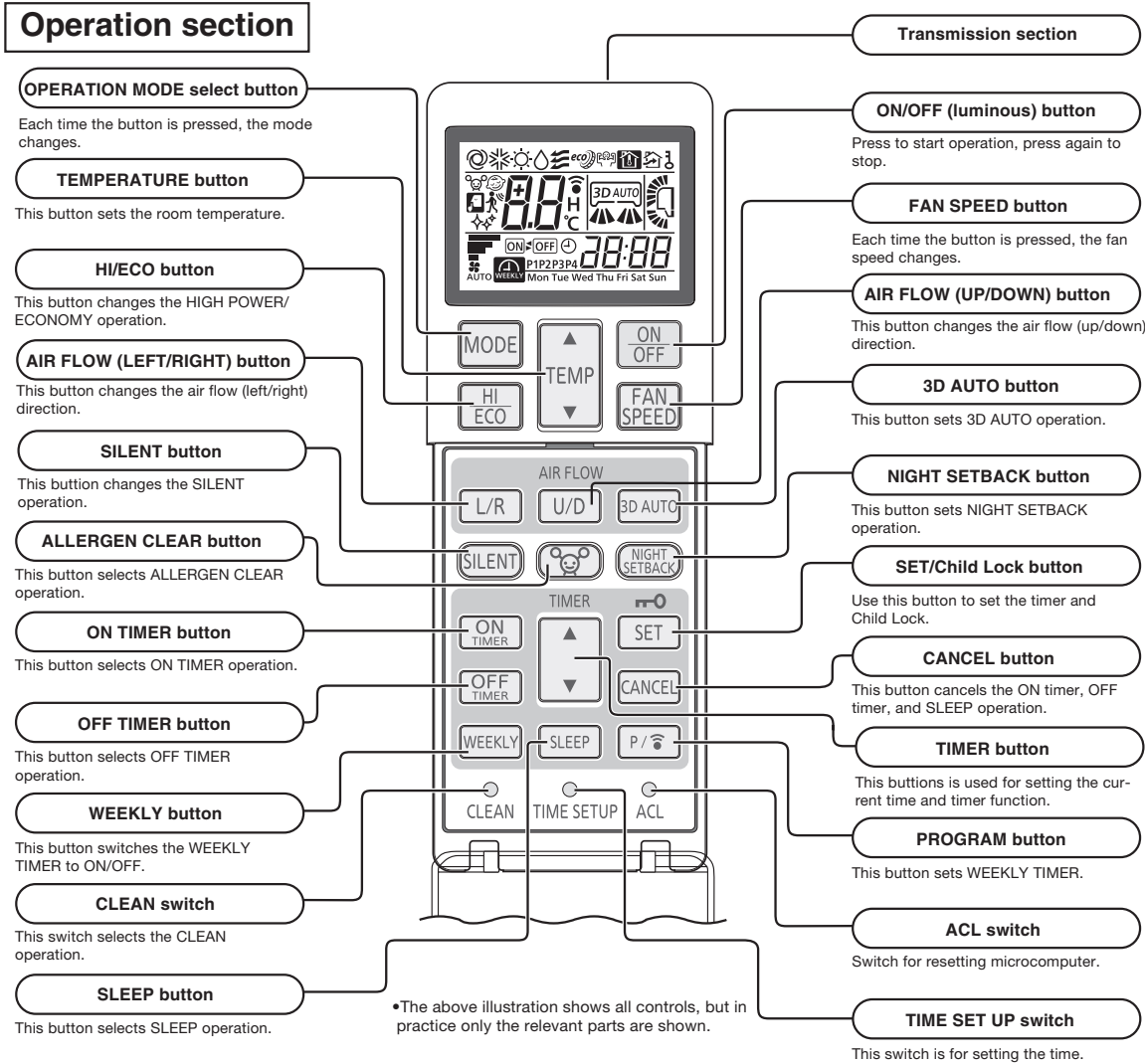
(ii) Contents of control

- 1) When the conditions of (i) above are satisfied, the compressor stops.
- 2) Error stop occurs when the compressor has stopped 3 times within 60 minutes.

(iii) Reset condition

When the compressor has been turned OFF.

(B) Models SRK63ZSPR-S, 71ZSPR-S, 80ZSPR-S
(1) Operation control function by wireless remote control



(2) Unit ON/OFF button

When the wireless remote control batteries become weak, or if the wireless remote control is lost or malfunctioning, this button may be used to turn the unit on and off.

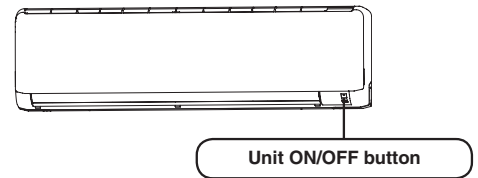
(a) Operation

Push the button once to place the unit in the automatic mode. Push it once more to turn the unit off.

(b) Details of operation

The unit will go into the automatic mode in which it automatically determines, from indoor temperature (as detected by sensor), whether to go into COOL, DRY or HEAT modes.

Function	Indoor temperature setting	Fan speed	Flap/Louver	Timer Switch
Operation mode				
COOL	About 24°C	Auto	Auto	Continuous
DRY				
HEAT				



(3) Auto restart function

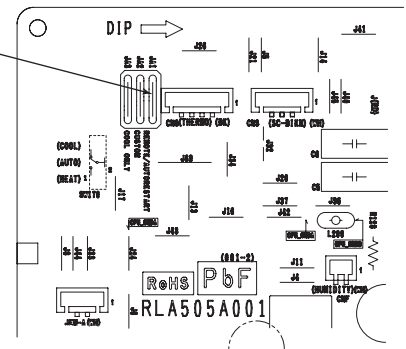
(a) Auto restart function records the operational status of the air-conditioner immediately prior to be switched off by a power cut, and then automatically resumes operations after the power has been restored.

(b) The following settings will be cancelled:

- (i) Timer settings
- (ii) HIGH POWER operations

- Notes
- (1) Auto restart function is set at on when the air-conditioner is shipped from the factory. Consult with your dealer if this function needs to be switched off.
 - (2) When power failure occurs, the timer setting is cancelled. Once power is resumed, reset the timer.
 - (3) If the jumper wire (JA1) "AUTO RESTART" is cut, auto restart is disabled. (See the diagram at right)

Jumper wire (JA1)

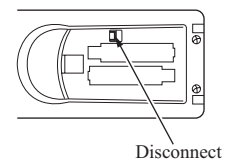


(4) Installing two air-conditioners in the same room

When two air-conditioners are installed in the room, use setting when the two air-conditioners are not operated with one wireless remote control. Set the wireless remote control and indoor unit.

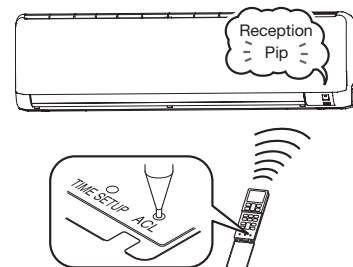
(a) Setting the wireless remote control

- (i) Pull out the cover and take out batteries.
- (ii) Disconnect the switching line next to the battery with wire cutters.
- (iii) Insert batteries, Close the cover.



(b) Setting an indoor unit

- (i) Turn off the power source, and turn it on after 1 minute.
- (ii) Point the wireless remote control that was set according to the procedure described on the left side at the indoor unit and send a signal by pressing the ACL switch on the wireless remote control.
Since the signal is sent in about 6 seconds after the ACL switch is pressed, point the wireless remote control at the indoor unit for some time.
- (iii) Check that the reception buzzer sound "Pip" is emitted from the indoor unit. At completion of the setting, the indoor unit emits a buzzer sound "Pip".
(If no reception tone is emitted, start the setting from the beginning again.)

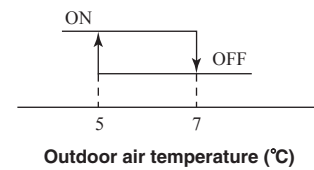
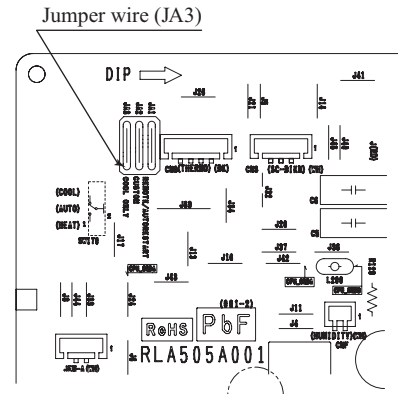


(5) Selection of the annual cooling function

(a) The annual cooling function can be enabled or disabled by means of the jumper wire (JA3) on the indoor unit PCB and the dip switch (SW2-4) on the interface kit (option) PCB.

Jumper wire (JA3)	Interface kit (SC-BIKN-E) SW2-4	Function
Shorted	ON	Enabled
Shorted	OFF	Disabled
Open	ON	Disabled
Open	OFF	Disabled

Note: (1) Default states of the jumper wire (JA3) and the interface kit at the shipping from factory –On the PCB, the dip switch (SW2-4) is set to enable the annual cooling function.
 (2) To cancel the annual cooling setting, consult your dealer.



(b) Content of control

- (i) If the outdoor air temperature sensor (TH2) detects below 5°C, the indoor fan speed is switched to 8th step. (It is not possible to change.)
- (ii) If the outdoor air temperature sensor (TH2) detects higher than 7°C, the indoor fan speed is changed to the normal control speed.

(6) High power operation

Pressing the HI POWER/ECONO button intensifies the operating power and initiates powerful cooling and heating operation for 15 minutes continuously. The wireless remote control displays and the FAN SPEED display disappears.

- (a) During the HIGH POWER operation, the room temperature is not controlled. When it causes an excessive cooling and heating, press the HI POWER/ECONO button again to cancel the HIGH POWER operation.
- (b) HIGH POWER operation is not available during dehumidifying and the program timer operations.
- (c) When HIGH POWER operation is set after ON TIMER operation, HIGH POWER operation will start from the set time.
- (d) When the following operation are set, HIGH POWER operation will be cancelled.
 - ① When the HI POWER/ECONO button is pressed again.
 - ② When the operation mode is changed.
 - ③ When it has been 15 minutes since HIGH POWER operation has started.
 - ④ When the 3D AUTO button is pressed.
 - ⑤ When the SILENT button is pressed.
 - ⑥ When the NIGHT SETBACK button is pressed.
- (e) Not operable while the air-conditioner is OFF.
- (f) After HIGH POWER operation, the sound of refrigerant flowing may be heard.

(7) Economy operation

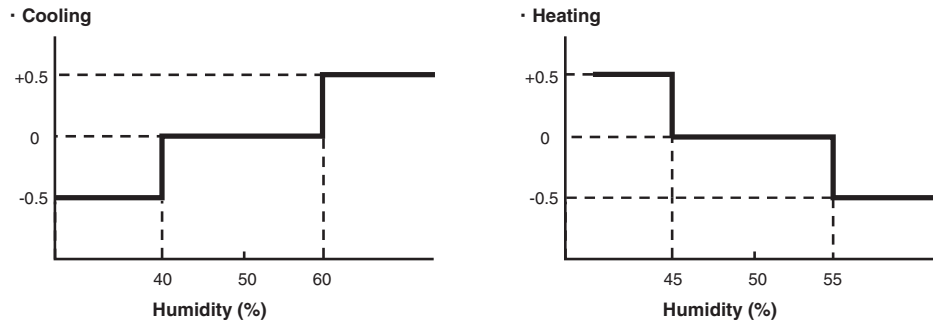
Pressing the HI POWER/ECONO button initiate a soft operation with the power suppressed in order to avoid an excessive cooling or heating. The unit operate 1.0°C higher than the setting temperature during cooling or 2.0°C lower than that during heating. The wireless remote control displays ECONO mark and the FAN SPEED display disappears.

- (a) It will go into ECONOMY operation at the next time the air-conditioner runs in the following cases.
 - ① When the air-conditioner is stopped by ON/OFF button during ECONOMY operation.
 - ② When the air-conditioner is stopped in SLEEP or OFF TIMER operation during ECONOMY operation.
 - ③ When the operation is retrieved from CLEAN or ALLERGEN CLEAR operation.
- (b) When the following operation are set, ECONOMY operation will be cancelled.
 - ① When the HI POWER/ECONO button is pressed again.
 - ② When the operation mode is changed DRY to FAN.
 - ③ When the NIGHT SETBACK button is pressed.
- (c) Not operable while the air-conditioner is OFF.

(d) The setting temperature is adjusted according to the following table.

Item \ Mode	Cooling	Heating
Temperature adjustment	① +0.5	① -1.0
	② +1.0	② -2.0
	③	③

- ① at the start of operation.
- ② one hour after the start of operation.
- ③ two hours after the start of operation.

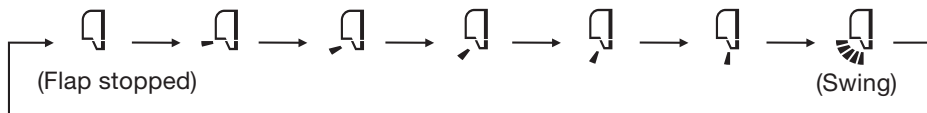


(8) Flap and louver control

Control the flap and louver by AIR FLOW U/D (UP/DOWN) and L/R (LEFT/RIGHT) button on the wireless remote control.

(a) Flap

Each time when you press the AIR FLOW U/D (UP/DOWN) button the mode changes as follows.

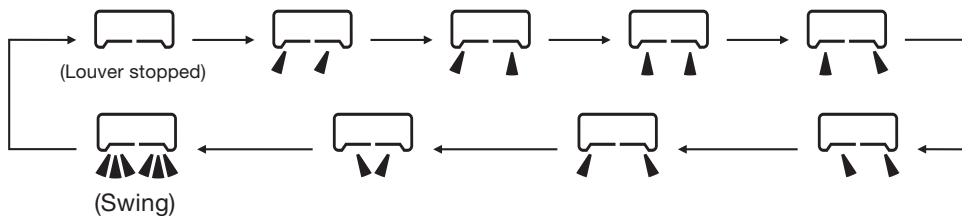


• Angle of flap from horizontal

Remote control display					
COOL , DRY, FAN	Approx. 5°	Approx. 20°	Approx. 35°	Approx. 50°	Approx. 70°
HEAT	Approx. 20°	Approx. 35°	Approx. 45°	Approx. 60°	Approx. 70°

(b) Louver

Each time when you press the AIR FLOW L/R (LEFT/RIGHT) button the mode changes as follows.



• Angle of louver

Remote control display					
Center installation	Left Approx. 50°	Left Approx. 20°	Center	Right Approx. 20°	Right Approx. 50°

(c) Swing

(i) Swing flap

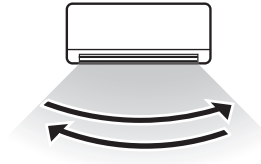
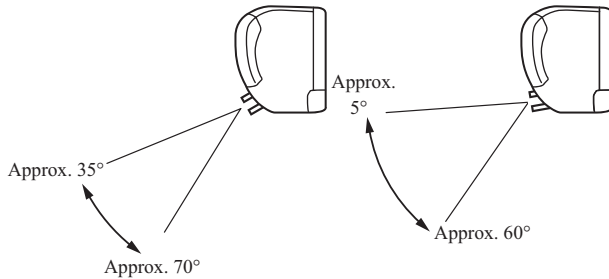
Flap moves in upward and downward directions continuously.

(ii) Swing louver

Louver moves in left and right directions continuously.

◆ In HEAT operation

◆ In COOL, DRY, FAN operation



(d) Memory flap (Flap or louver stopped)

When you press the AIR FLOW (UP/DOWN or LEFT/RIGHT) button once while the flap or louver is operating, it stops swinging at the position. Since this angle is memorized in the microcomputer, the flap or louver will automatically be set at this angle when the next operation is started.

(e) When not operating

The flap returns to the position of air flow directly below, when operation has stopped.

(9) 3D auto operation

Control the flap and louver by 3D AUTO button on the wireless remote control.

Air flow selection and air flow direction are automatically controlled, allowing the entire indoor to efficiently conditioned.

(a) During cooling and heating (Including auto cooling and heating)

(i) Air flow selection is determined according to indoor temperature and setting temperature.

Operation mode	Air flow selection					
	AUTO		HI	MED	LO	ULO
Cooling	Indoor temp. – Setting temp. >5°C	Indoor temp. – Setting temp. ≤ 5°C	HI	MED	LO	ULO
	HIGH POWER	AUTO				
Heating	Setting temp. – Indoor temp. >5°C	Setting temp. – Indoor temp. ≤ 5°C	HI	MED	LO	ULO
	HIGH POWER	AUTO				

(ii) Air flow direction is controlled according to the indoor temperature and setting temperature.

1) When 3D auto operation starts

	Cooling	Heating
Flap	Up/down swing	
Louver	Wide (Fixed)	Center (Fixed)

2) When Indoor temp. – Setting temp. is ≤ 5°C during cooling and when Setting temp. – Indoor temp. is ≤ 5°C during heating, the system switches to the following air flow direction control. After the louver swings left and right symmetrically for 3 cycles, control is switched to the control in 3).

	Cooling	Heating
Flap	Horizontal blowing (Fixed)	Slant forwardl blowing (Fixed)
Louver	Left/right swing	

3) After the flap swings for 5 cycles, control is switched to the control in 4).

	Cooling	Heating
Flap	Up/down swing	
Louver	Center (Fixed)	

4) For 5 minutes, the following air flow direction control is carried out.

	Cooling	Heating
Flap	Horizontal blowing (Fixed)	Slant forwardl blowing (Fixed)
Louver	Wide (Fixed)	

5) After 5 minutes have passed, the air flow direction is determined according to the indoor temperature and setting temperature.

Operation mode	Air flow direction control		
Cooling	Indoor temp. – Setting temp. $\leq 2^{\circ}\text{C}$	$2^{\circ}\text{C} < \text{Indoor temp.} - \text{Setting temp.} \leq 5^{\circ}\text{C}$	Indoor temp. – Setting temp. $> 5^{\circ}\text{C}$
	The control in 4) continues.	Control returns to the control in 2).	Control returns to the control in 1).
Heating	Setting temp. – Indoor temp. $\leq 2^{\circ}\text{C}$	$2^{\circ}\text{C} < \text{Setting temp.} - \text{Indoor temp.} \leq 5^{\circ}\text{C}$	Setting temp. – Indoor temp. $> 5^{\circ}\text{C}$
	The control in 4) continues.	Control returns to the control in 2).	Control returns to the control in 1).

(b) During dehumidifying operation (including auto dehumidifying operation)

Flap	Horizontal blowing (Fixed)
Louver	Wide (Fixed)

(10) Timer operation

(a) Comfortable timer setting (ON timer)

If the timer is set at ON when the operation select switch is set at the cooling or heating, or the cooling or heating in auto mode operation is selected, the comfortable timer starts and determines the starting time of next operation based on the initial value of 15 minutes and the relationship between the indoor temperature at the setting time (temperature of room temperature sensor) and the setting temperature.

(b) Sleep timer operation

Pressing the SLEEP button causes the temperature to be controlled with respect to the set temperature.

(c) OFF timer operation

The Off timer can be set at a specific time (in 10-minute units) within a 24-hour period.

(d) Weekly timer operation

Timer operation (ON timer, OFF timer) can be set up to 4 times a day for each weekday.

(11) Silent mode

As “Silent mode start” signal is received from the wireless remote control, it operates by dropping the outdoor fan tap and the compressor command speed.

	SRK63ZSPR-S	SRK71ZSPR-S	SRK80ZSPR-S
Outdoor fan tap (Upper limit)	5th speed	3rd speed	3rd speed
Compressor command speed	48 rps	50 rps	54 rps

(12) Night setback

As “Night setback” signal is received from the wireless remote control, the heating operation starts with the setting temperature at 10°C .

(13) Installation location setting

When the indoor unit is installed at the end of a room, control the air flow direction so that it is not toward the side walls. If you set the wireless remote control installation position, keep it so that the air flow is within the range shown in the following figure.

(a) Setting

(i) If the air-conditioning unit is running, press the ON/OFF button to stop.

The installation location setting cannot be made while the unit is running.

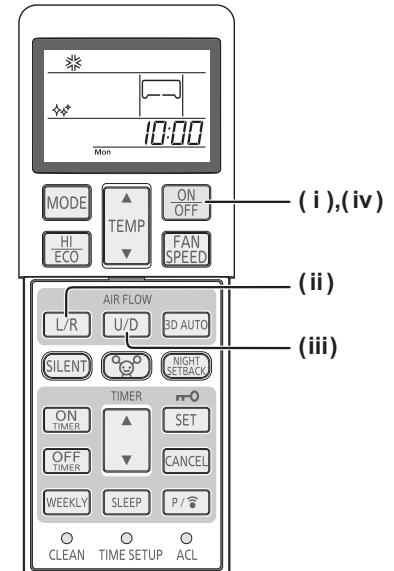
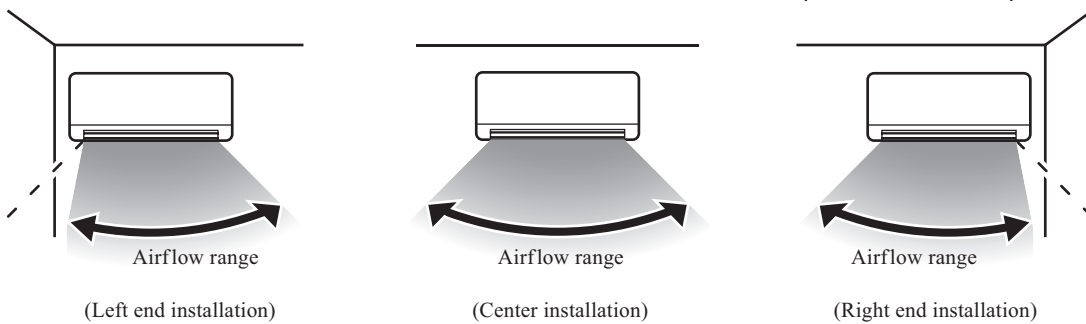
(ii) Press the AIR FLOW U/D (UP/DOWN) button and the AIR FLOW L/R (LEFT/RIGHT) button together for 5 seconds or more.

The installation location display illuminates.

(iii) Setting the air-conditioning installation location.

Press the AIR FLOW L/R (LEFT/RIGHT) button and adjust to the desired location.

Each time the AIR FLOW L/R (LEFT/RIGHT) button is pressed, the indicator is switched in the order of:



(iv) Press the ON/OFF button.

The air-conditioner's installation location is set.

Press within 60 seconds of setting the installation location (while the installation location setting display illuminates).

(14) Outline of heating operation

(a) Operation of major functional components in heating mode

	Heating		
	Thermostat ON	Thermostat OFF	Failure
Compressor	ON	OFF	OFF
Indoor fan motor	ON	ON(HOT KEEP)	OFF
Outdoor fan motor	ON	OFF (few minutes ON)	OFF
4-way valve	ON	ON	OFF (3 minutes ON)

(b) Details of control at each operation mode (pattern)

(i) Fuzzy operation

Deviation between the indoor temperature setting correction temperature and the return air temperature is calculated in accordance with the fuzzy rule, and used for control of the air capacity and the compressor speed.

Model	SRK63ZSPR-S	SRK71ZSPR-S	SRK80ZSPR-S
Fan speed			
AUTO	12-120rps	20-116rps	20-120rps
HI	12-120rps	20-116rps	20-120rps
MED	12-120rps	20-116rps	20-120rps
LO	12-94rps	20-78rps	20-86rps
ULO	12-54rps	20-46rps	20-52rps

When the defrosting, protection device, etc. is actuated, operation is performed in the corresponding mode.

(ii) Hot keep operation

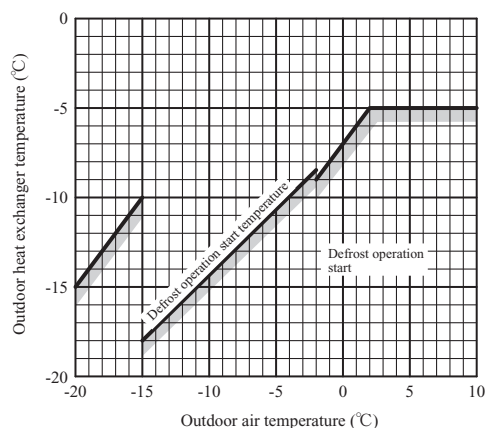
If the hot keep operation is selected during the heating operation, the indoor blower is controlled based on the temperature of the indoor heat exchanger (Th2) to prevent blowing of cool wind.

However, if the fan speed setting is HI and room temperature is 19°C or higher, this control is not executed.

(c) Defrost operation

(i) Starting conditions (Defrosting operation can be started only when all of the following conditions are satisfied.)

- 1) After start of heating operation
When it elapsed 35 minutes. (Accumulated compressor operation time)
- 2) After end of defrost operation
When it elapsed 35 minutes. (Accumulated compressor operation time)
- 3) Outdoor heat exchanger sensor (TH1) temperature
When the temperature has been below -5°C for 3 minutes continuously.
- 4) The difference between the outdoor air sensor temperature and the outdoor heat exchanger sensor temperature
 - The outdoor air temperature $\geq -2^\circ\text{C} : 7^\circ\text{C}$ or higher
 - $-15^\circ\text{C} \leq$ The outdoor air temperature $< -2^\circ\text{C} : 4/15 \times$ The outdoor air temperature $+ 7^\circ\text{C}$ or higher
 - The outdoor air temperature $< -15^\circ\text{C} : -5^\circ\text{C}$ or higher

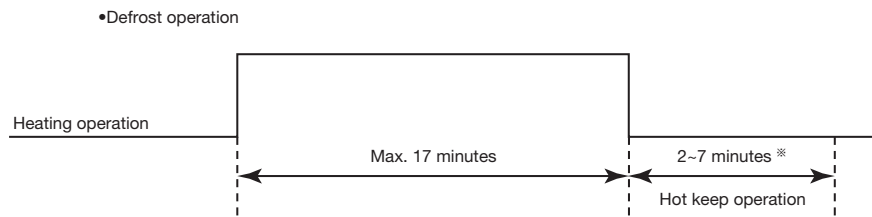


5) During continuous compressor operation

In addition, when the speed command from the indoor control of the indoor unit during heating operation has counted 0 rps 10 times or more and all conditions of 1), 2), 3) and 5) above and the outdoor air temperature is 3°C or less are satisfied (note that when the temperature for outdoor heat exchanger sensor (TH1) is -5°C or less: 62 rps or more, -4°C or less: less than 62 rps), defrost operation is started.

(ii) Ending conditions (Operation returns to the heating cycle when either one of the following is satisfied.)

- 1) Outdoor heat exchanger sensor (TH1) temperature: 13°C (model SRK63 : 10°C) or higher
- 2) Continued operation time of defrost operation → For more than 17 minutes.



(15) Outline of cooling operation

(a) Operation of major functional components in cooling mode

	Cooling		
	Thermostat ON	Thermostat OFF	Failure
Compressor	ON	OFF	OFF
Indoor fan motor	ON	ON	OFF
Outdoor fan motor	ON	OFF (few minutes ON)	OFF (few minutes ON)
4-way valve	OFF	OFF	OFF

(b) Detail of control in each mode (Pattern)

1) Fuzzy operation

During the fuzzy operation, the air flow and the compressor speed are controlled by calculating the difference between the indoor temperature setting correction temperature and the return air temperature.

Fan speed \ Model	SRK63ZSPR-S	SRK71ZSPR-S	SRK80ZSPR-S
AUTO	12-106rps	20-76rps	20-98rps
HI	12-106rps	20-76rps	20-98rps
MED	12-68rps	20-56rps	20-64rps
LO	12-50rps	20-40rps	20-46rps
ULO	12-32rps	20-26rps	20-26rps

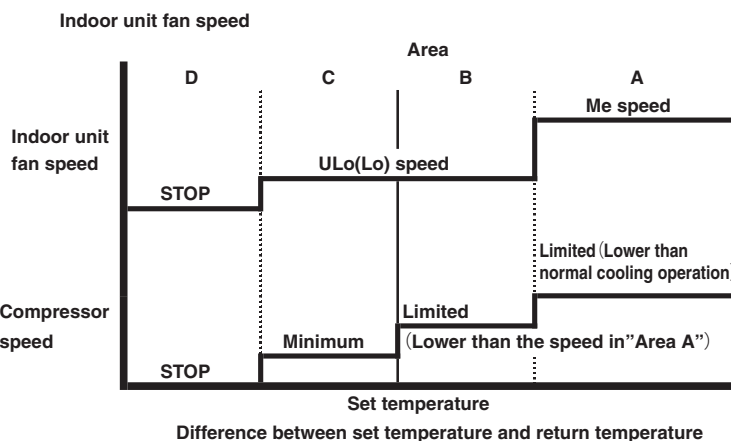
(16) Outline of dry(dehumidifying) operation

(a) Purpose of DRY mode

The purpose is "Dehumidification", and not to control the humidity to the target condition. Indoor/outdoor unit control the operation condition to reduce the humidity, and also prevent over cooling.

(b) Outline of control

(i) Indoor unit fan speed and compressor are controlled by the area which is selected by the temperature difference.



(ii) The indoor unit check the current area by every 5 minutes, and operate by the next checking.

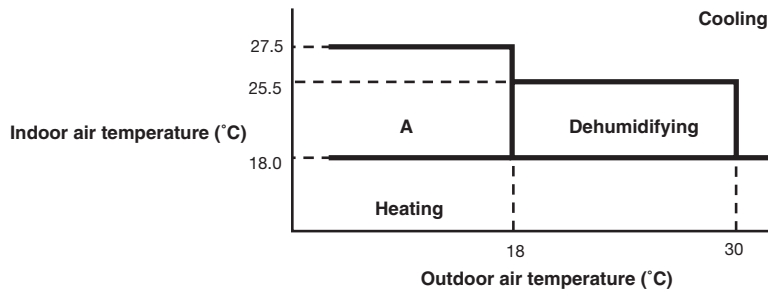
(c) Other

When the outside temperature. and room temperature. is low for cooling operation, indoor unit can not operate in cooling, and dehumidifying. In this case, the units operate in heating to rise the room temperature and after that start dehumidifying operation.

(17) Outline of automatic operation

(a) Determination of operation mode

The unit checks the indoor air temperature and setting temperature and the outdoor air temperature, determines the operation mode, and then begins in the automatic operation.



- (b) The unit checks the temperature every hour after the start of operation and, if the result of check is not same as the previous operation mode, changes the operation mode.
 - (i) If the setting temperature is changed with the remote control, the operation mode is judged immediately.
 - (ii) When both the indoor and the outdoor air temperatures are in the range “A”, cooling or heating is switched depending on the difference between the setting temperature and the indoor air temperature.
 - (iii) When the operation mode has been judged following the change of setting temperature with the remote control, the hourly judgment of operation mode is cancelled.
- (c) When the unit is started again within one hour after the stop of automatic operation or when the automatic operation is selected during heating, cooling or dehumidifying operation, the unit is operated in the previous operation mode.
- (d) Setting temperature can be adjusted within the following range. There is the relationship as shown below between the signals of the wireless remote control and the setting temperature.

Unit : °C

		Signals of wireless remote control (Display)												
		-6	-5	-4	-3	-2	-1	±0	+1	+2	+3	+4	+5	+6
Setting temperature	Cooling													
	Dehumidifying	18	19	20	21	22	23	24	25	26	27	28	29	30
	Heating													

(18) Protection control function

(a) Dew prevention control [Cooling]: Prevents dewing on the indoor unit.

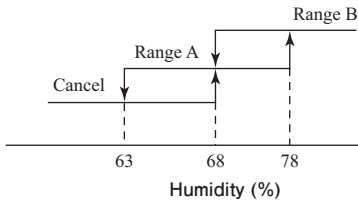
- (i) **Operating conditions:** When the following conditions have been satisfied for more than 30 minutes after starting operation.
 - 1) Compressor’s command speed is 28 rps or higher.
 - 2) Detected value of humidity is 68% or higher.

(ii) Contents of operation

1) Air capacity control

Item	Model	SRK63ZSPR-S	SRK71ZSPR-S	SRK80ZSPR-S
Upper limit of compressor's command speed ⁽¹⁾		Range A: As per following table, Range B: 40 rps		

Note (1) Ranges A and B are as shown below.



● Condition for range A

Compressor's command speed is controlled according to the indoor unit heat exchanger temperature (Th2) and the indoor unit room temperature (Th1).

Condition	Compressor's command speed
$Th2 \leq Th1 - 10$	<ul style="list-style-type: none"> Decreases the compressor's target max speed by 4 rps. If the condition is met still 20 seconds later, the speed is decreased further by 4 rps. This process is repeated further so far as the condition is met. (Lower limit is 30 rps.)
$Th1 - 10 < Th2 \leq Th1 - 6$	Compressor's target max. speed or changed value of the same is maintained.
$Th2 - 6 < Th1$	Changed compressor's target max. speed is increased at a rate of 1 rps/20 seconds.

2) When this control has continued for more than 30 minutes continuously, the following wind direction control is performed.

- a) When the vertical wind direction is set at other than the vertical swing, the flaps change to the horizontal position.
- b) When the horizontal wind direction is set at other than the horizontal swing, the louver changes to the vertical position.

(iii) Reset condition: When any of followings is satisfied.

- 1) Compressor's command speed is less than 28 rps.
- 2) Detected value of humidity is less than 63%.

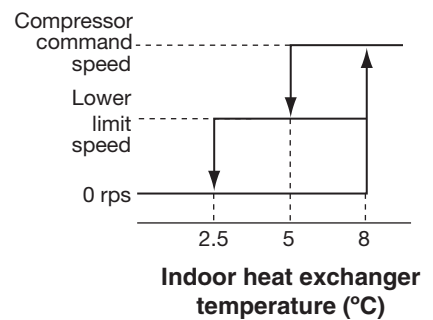
(b) Frost prevention control (During cooling or dehumidifying)

(i) Operating conditions

- 1) Indoor heat exchanger temperature (Th2) is lower than 5°C.
- 2) 5 minutes after reaching the compressor command speed except 0 rps.

(ii) Detail of anti-frost operation

Item	Indoor heat exchanger temperature	5°C or lower	2.5°C or lower
Lower limit of compressor command speed		22 rps (model SRK63 : 25rps)	0 rps
Indoor fan		Depends on operation mode	Protects the fan tap just before frost prevention control
Outdoor fan		Depends on command speed	Depends on stop mode
4-way valve		OFF	



- Notes
- (1) When the indoor heat exchanger temperature is in the range of 2.5–5°C, the speed is reduced by 4 rps at each 20 seconds.
 - (2) When the temperature is lower than 2.5°C, the compressor is stopped.
 - (3) When the indoor heat exchanger temperature is in the range of 5–8°C, the compressor command speed is been maintained.

(iii) Reset conditions: When either of the following condition is satisfied.

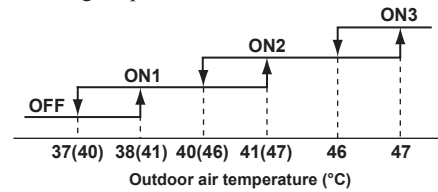
- 1) The indoor heat exchanger temperature (Th2) is 8°C or higher.
- 2) The compressor command speed is 0 rps.

(c) Cooling overload protective control

(i) **Operating conditions:Reset conditions:** When the outdoor air temperature (TH2) has become continuously for 30 seconds at 38(41) °C or more, with the compressor running, the lower limit speed of compressor is brought up.

Item	Model	SRK63ZSPR-S		
Outdoor air temperature		38°C or more	41°C or more	47°C or more
Lower limit speed		25 rps	30 rps	40 rps

Item	Model	SRK71, 80ZSPR-S	
Outdoor air temperature		41°C or more	47°C or more
Lower limit speed		30 rps	40 rps



(ii) **Detail of operation**

The lower limit of compressor command speed is set to 25. 30 or 40 rps and even if the calculated result becomes lower than that after fuzzy calculation, the speed is kept to 25. 30 or 40 rps. However, when the thermo OFF, the speed is reduced to 0 rps.

(iii) **Reset conditions:** When either of the following condition is satisfied.

- 1) The outdoor air temperature is lower than 37(40)°C.
- 2) The compressor command speed is 0 rps.

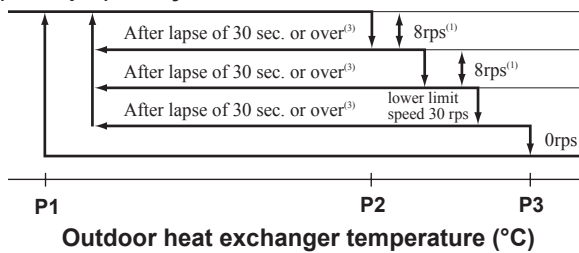
(d) Cooling high pressure control

(i) **Purpose:** Prevents anomalous high pressure operation during cooling.

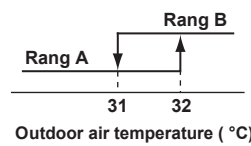
(ii) **Detector:** Outdoor heat exchanger temperature (TH1)

(iii) **Detail of operation:**

(Example) Fuzzy



		P1	P2	P3
Rang A	Model 63	48°C	52°C	55°C
	Model 71, 80	51°C	53°C	56°C
Rang B		53°C	58°C	60°C



Notes(1) When the outdoor heat exchanger temperature is in the range of P2 -P3, the speed is reduced by 8 rps at each 20 seconds.

(2) When the temperature is P3 or higher, the compressor is stopped.

(3) When the outdoor heat exchanger temperature is in the range of P1 -P2, if the compressor command speed is been maintained and the operation has continued for more than 30 seconds at the same speed, it returns to the normal cooling operation.

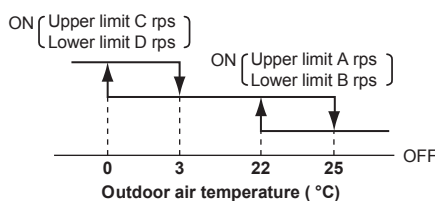
(e) Cooling low outdoor air temperature protective control

(i) **Operating conditions:** When the outdoor air temperature (TH2) is 22°C or lower continues for 20 seconds while the compressor command speed is other than 0 rps.

(ii) **Detail of operation:**

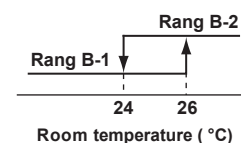
- 1) The lower limit of the compressor command speed is set to B (D) rps and even if the speed becomes lower than 40 (30) rps, the speed is kept to 40 (30) rps. However, when the thermo OFF, the speed is reduced to 0 rps.
- 2) The upper limit of the compressor command speed is set to A (C) rps and even if the calculated result becomes higher than that after fuzzy calculation, the speed is kept to A (C) rps.

Note(1) Values in () are for outdoor air temperature is 0°C.



●Compressor command speed (Unit : rps)

	A	B		C	D
		B-1	B-2		
Model 63	75	35	Cancel	60	45
Model 71, 80	75	30	Cancel	60	40



(iii) **Reset conditions:** When either of the following condition is satisfied.

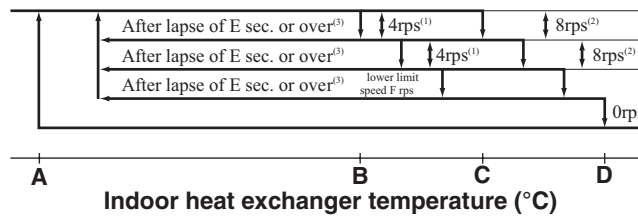
- 1) The outdoor air temperature (TH2) is 25°C or higher.
- 2) The compressor command speed is 0 rps.

(f) Heating high pressure control

- (i) **Purpose:** Prevents anomalous high pressure operation during heating.
- (ii) **Detector:** Indoor heat exchanger temperature (Th2)

(iii) **Detail of operation:**

(Example) Fuzzy



	E	F
Model 63	10	35
Model 71, 80	20	30

- Notes
- (1) When the indoor heat exchanger temperature is in the range of B-C °C, the speed is reduced by 4 rps at each E seconds.
 - (2) When the indoor heat exchanger temperature is in the range of C-D °C, the speed is reduced by 8 rps at each E seconds. When the temperature is D °C or higher continues for 5 seconds, the compressor is stopped.
 - (3) When the indoor heat exchanger temperature is in the range of A-B °C, if the compressor command speed is been maintained and the operation has continued for more than E seconds at the same speed, it returns to the normal heating operation.
 - (4) Indoor fan retains the fan tap when it enters in the high pressure control. Outdoor fan is operated in accordance with the speed.

● **Temperature list**

Model SRK63ZSPR-S

Unit : °C

	A	B	C	D
RPSmin < 45	45	52	54.5 - 56	56.5
45 < RPSmin < 115	45	52	56	57.0
115 ≤ RPSmin < 120	45 - 43	52 - 50	56 - 55	56.5
120 ≤ RPSmin	43	50	55	56.5

Models SRK71, 80ZSPR-S

Unit : °C

	A	B	C	D
RPSmin < 90	45	52	57	58
90 < RPSmin < 108	45 - 44	52 - 48	57 - 52	56.5
108 ≤ RPSmin < 120	44 - 43	48 - 45	52 - 48	51.5
120 ≤ RPSmin	43	45	48	51.5

Note (1) RPSmin: The lower one between the outdoor speed and the compressor command speed.

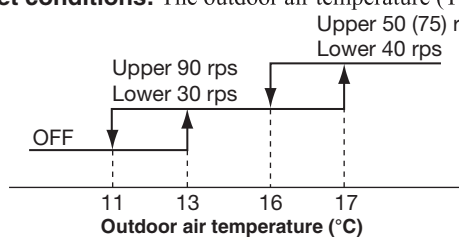
(g) Heating overload protective control

(i) Indoor unit side

- 1) **Operating conditions :** When the outdoor air temperature (TH2) is 17°C or higher continues for 30 seconds while the compressor command speed other than 0 rps.
- 2) **Detail of operation :** The indoor fan is stepped up by 1 speed step. (Upper limit 10th speed)
- 3) **Reset conditions :** The outdoor air temperature (TH2) is lower than 16°C.

(ii) Outdoor unit side

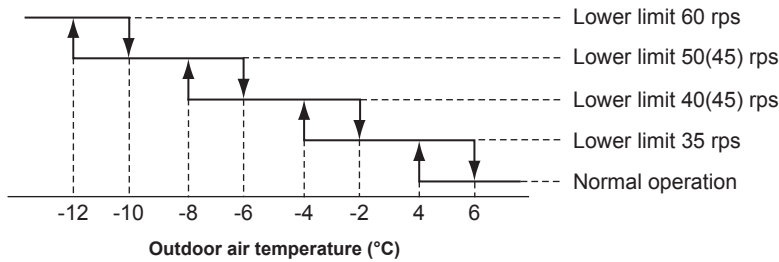
- 1) **Operating conditions :** When the outdoor air temperature (TH2) is 13°C or 17°C or higher continues for 30 seconds while the compressor command speed other than 0 rps.
- 2) **Detail of operation**
 - a) Taking the upper limit of compressor command speed range at 90 rps or 50 (75) rps, if the output speed obtained with the fuzzy calculation exceeds the upper limit, the upper limit value is maintained.
 - b) The lower limit of compressor command speed is set to 30 rps or 40 rps and even if the calculated result becomes lower than that after fuzzy calculation, the speed is kept to 30 rps or 40 rps. However, when the thermo OFF, the speed is reduced to 0 prs.
 - c) Inching prevention control is activated and inching prevention control is carried out with the minimum speed set at 30 rps or 40 rps.
- 3) **Reset conditions:** The outdoor air temperature (TH2) is lower than 11°C.



Note(1) Values in () are for the model SRK63.

(h) Heating low outdoor temperature protective control

- (i) **Operating conditions:** When the outdoor air temperature (TH2) is lower than 4°C or higher continues for 30 seconds while the compressor command speed is other than 0 rps.
- (ii) **Detail of operation:** The lower limit compressor command speed is change as shown in the figure below.



Note(1) Values in () are for the model SRK63.

(iii) Reset conditions: When either of the following condition is satisfied.

- 1) The outdoor air temperature (TH2) becomes 6°C.
- 2) The compressor command speed is 0 rps.

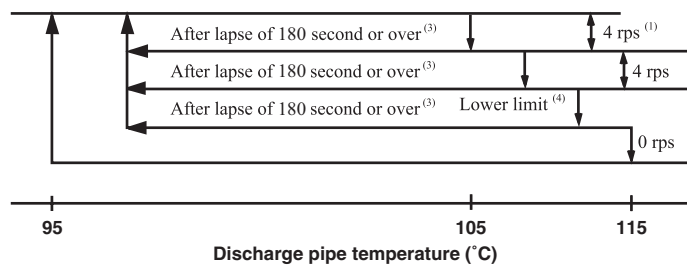
(i) Compressor overheat protection

(i) **Purpose:** It is designed to prevent deterioration of oil, burnout of motor coil and other trouble resulting from the compressor overheat.

(ii) Detail of operation

1) Speeds are controlled with temperature detected by the sensor (TH3) mounted on the discharge pipe.

(Example) Fuzzy



- Notes
- (1) When the discharge pipe temperature is in the range of 105-115°C, the speed is reduced by 4 rps.
 - (2) When the discharge pipe temperature is raised and continues operation for 20 seconds without changing, then the speed is reduced again by 4 rps.
 - (3) If the discharge pipe temperature is in the range of 95-105°C even when the compressor command speed is maintained for 180 second when the temperature is in the range of 95-105°C, the speed is raised by 1 rps and kept at that speed for 180 second. This process is repeated until the command speed is reached.
 - (4) Lower limit speed

Model	Item	Item	
		Cooling	Heating
	Lower limit speed	25 rps	32 rps

- 2) If the temperature of 115°C is detected by the sensor on the discharge pipe, then the compressor will stop immediately. When the discharge pipe temperature drops and the time delay of 3 minutes is over, the unit starts again within 1 hour but there is no start at the third time.

(j) Current safe

(i) Purpose: Current is controlled not to exceed the upper limit of the setting operation current.

(ii) Detail of operation: Input current to the converter is monitored with the current sensor fixed on the printed circuit board of the outdoor unit and, if the operation current value reaches the limiting current value, the compressor command speed is reduced.

If the mechanism is actuated when the compressor command speed is less than 30 rps, the compressor is stopped immediately. Operation starts again after a delay time of 3 minutes.

(k) Current cut

(i) Purpose: Inverter is protected from overcurrent.

(ii) Detail of operation: Output current from the inverter is monitored with a shunt resistor and, if the current exceeds the setting value, the compressor is stopped immediately. Operation starts again after a delay time of 3 minutes.

(l) Outdoor unit failure

This is a function for determining when there is trouble with the outdoor unit during air-conditioning.

The compressor is stopped if any one of the following in item (i), (ii) is satisfied. Once the unit is stopped by this function, it is not restarted.

(i) When the input current is measured at 1 A or less for 3 continuous minutes or more.

(ii) If the outdoor unit sends a 0 rps signal to the indoor unit 3 times or more within 20 minutes of the power being turned on.

(m) Indoor fan motor protection

When the air-conditioner is operating and the indoor fan motor is turned ON, if the indoor fan motor has operated at 300 min⁻¹ or under for more than 30 seconds, the unit enters first in the stop mode and then stops the entire system.

(n) Serial signal transmission error protection

(i) Purpose: Prevents malfunction resulting from error on the indoor ↔ outdoor signals.

(ii) Detail of operation: If the compressor is operating and a serial signal cannot be received from the indoor control with outdoor control having serial signals continues for 7 minute and 35 seconds, the compressor is stopped.

After the compressor has been stopped, it will be restarted after the compressor start delay if a serial signal can be received again from the indoor control.

(o) Rotor lock

If the motor for the compressor does not turn after it has been started, it is determined that a compressor lock has occurred and the compressor is stopped.

(p) Outdoor fan motor protection

If the outdoor fan motor has operated at 75 min⁻¹ or under for more than 30 seconds, the compressor and fan motor are stopped.

(q) Outdoor fan control at low outdoor temperature

(i) Cooling

- 1) **Operating conditions:** When the outdoor air temperature (TH2) is 22°C or lower continues for 30 seconds while the compressor command speed is other than 0 rps.
- 2) **Detail of operation:** After the outdoor fan operates at A speed for 60 seconds; the corresponding outdoor heat exchanger temperature shall implement the following controls.

● Value of A

	Outdoor fan
Outdoor temperature > 10°C	2nd speed
Outdoor temperature ≤ 10°C	1st speed

- a) Outdoor heat exchanger temperature (TH1) ≤ 22°C
After the outdoor fan speed drops (down) to 1 speed for 60 seconds; if the outdoor heat exchanger temperature is lower than 22°C, gradually reduce the outdoor fan speed by 1 speed.

● Lower limit fan speed

	Outdoor fan
Outdoor temperature > 16°C	2nd speed
Outdoor temperature ≤ 16°C	1st speed

- b) 22°C < Outdoor heat exchanger temperature (TH1) ≤ 40°C
After the outdoor fan speed maintains at A speed for 20 seconds; if the outdoor heat exchanger temperature is 22°C - 40°C, maintain outdoor fan speed.
 - c) Outdoor heat exchanger temperature (TH1) > 40°C
After the outdoor fan speed rises (up) to 1 speed for 60 seconds; if the outdoor heat exchanger temperature is higher than 40°C, gradually increase outdoor fan speed by 1 speed. (Upper limit 3rd speed)
- 3) **Reset conditions:** When either of the following conditions is satisfied.
 - a) The outdoor air temperature (TH2) is 24°C or higher.
 - b) The compressor command speed is 0 rps.

(ii) Heating

- 1) **Operating conditions:** When the outdoor air temperature (TH2) is 3°C or lower continues for 30 seconds while the compressor command speed is other than 0 rps.
- 2) **Detail of operation:** The outdoor fan is stepped up by 2 speed step at each 20 seconds.
(Upper limit 8th (model SRK71 : 7th) speed)
- 3) **Reset conditions:** When either of the following conditions is satisfied.
 - a) The outdoor air temperature (TH2) is 5°C or higher.
 - b) The compressor command speed is 0 rps.

(r) Outdoor fan control at overload conditions.

(i) Cooling

- 1) **Operating conditions:** When the outdoor air temperature (TH2) is 41°C(model SRK63:38°C) or higher continues for 30 seconds while the compressor ON.
- 2) **Detail of operation:** The outdoor fan is stepped up by 3 speed step. (Upper limit 8th speed).
- 3) **Reset conditions:** When either of the following conditions is satisfied.
 - a) The outdoor air temperature (TH2) is 40°C(model SRK63:37°C) or lower.
 - b) The compressor command speed 0 rps.

(ii) Heating

- 1) **Operating conditions:** When the outdoor heat exchanger temperature (TH1) is 13°C or higher continues for 30 seconds while the compressor ON.
- 2) **Detail of operation:** The outdoor fan is lowered by 3 speed step. (Lower limit 2nd speed).
- 3) **Reset conditions:** When either of the following conditions is satisfied.
 - a) The outdoor heat exchanger temperature (TH1) is 10°C or lower.
 - b) The compressor command speed 0 rps.

(s) Refrigeration cycle system protection

(i) Starting conditions

- 1) When A minutes have elapsed after the compressor ON or the completion of the defrost operation
- 2) Other than the defrost operation
- 3) When, after meeting the conditions of 1) and 2) above, the compressor speed, indoor air temperature (Th1) and indoor heat exchanger temperature (Th2) have satisfied the conditions in the following table for 5 minutes:

Operation mode		A	Compressor speed (N)	Room temperature (Th1)	Room temperature (Th1)/ Indoor heat exchanger temperature (Th2)
Cooling		5	$40 \leq N$	$10 \leq Th1 \leq 40$	$Th1 - 4 < Th2$
Heating ⁽¹⁾	Model 63	8	$40 \leq N$ (TH2 $\geq 0^\circ\text{C}$) $60 \leq N$ (TH2 $< 0^\circ\text{C}$)	$0 \leq Th1 \leq 40$	$Th2 < Th1 + 6$
	Model 71, 80	5	$40 \leq N$		

Note (1) Except that the fan speed is HI in heating operation and silent mode control.

(ii) Contents of control

- 1) When the conditions of (i) above are satisfied, the compressor stops.
- 2) Error stop occurs when the compressor has stopped 3 times within 60 minutes.

(iii) Reset condition

When the compressor has been turned OFF

(t) Service valve (gas side) closing operation

(i) Starting conditions

- 1) Operation mode : Heating
- 2) Compressor conditions : OFF → ON

(ii) Contents control

If the output current of inverter exceeds the specifications, it makes the compressor stopping.

(iii) Anomalous stop control

- 1) If the inverter output current value exceeds the setting value within 80 seconds the compressor stops.
- 2) After 3 minutes delay. the compressor restarts, but if this anomaly occurs 2 times within 20 minutes after this initial detection.

10. MAINTENANCE DATA

(1) Cautions

- (a) If you are disassembling and checking an air-conditioner, be sure to turn off the power before beginning. When working on indoor units, let the unit sit for about 1 minute after turning off the power before you begin work. When working on an outdoor unit, there may be an electrical charge applied to the main circuit (electrolytic condenser), so begin work only after discharging this electrical charge (to DC 10 V or lower).
- (b) When taking out printed circuit boards, be sure to do so without exerting force on the circuit boards or package components.
- (c) When disconnecting and connecting connectors, take hold of the connector housing and do not pull on the lead wires.

(2) Items to check before troubleshooting

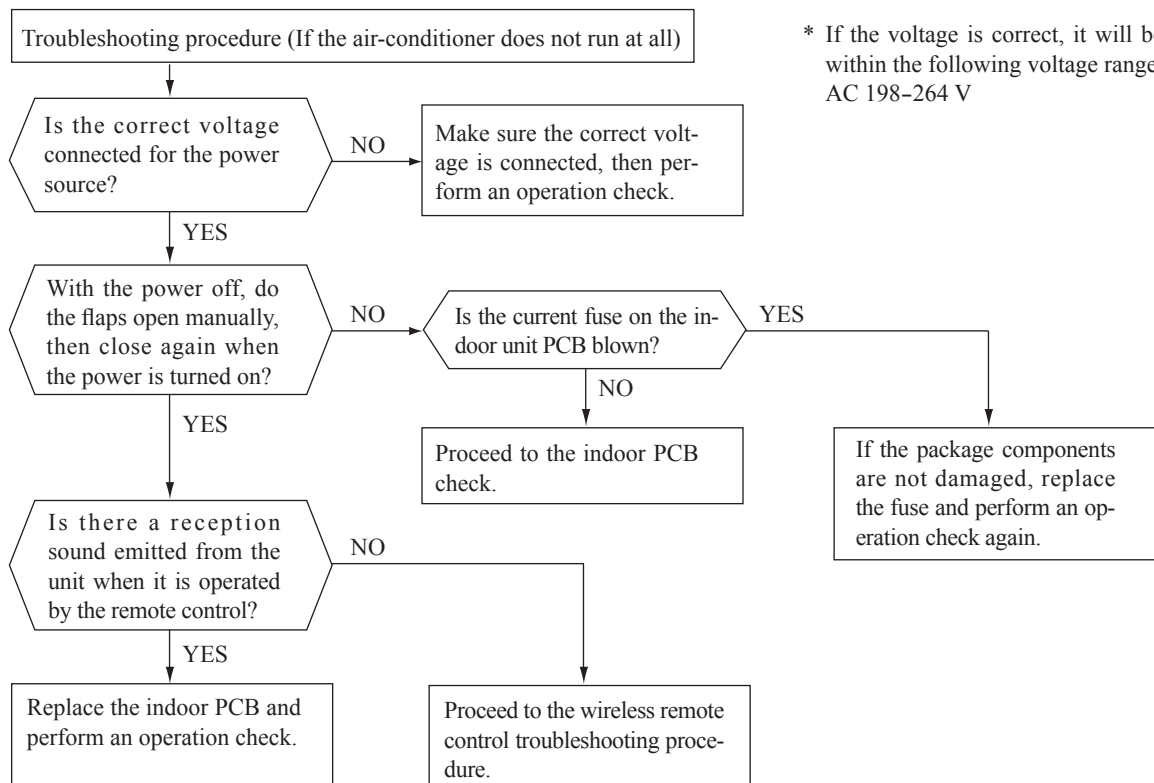
- (a) Have you thoroughly investigated the details of the trouble which the customer is complaining about?
- (b) Is the air-conditioner running? Is it displaying any self-diagnosis information?
- (c) Is a power source with the correct voltage connected?
- (d) Are the control lines connecting the indoor and outdoor units wired correctly and connected securely?
- (e) Is the outdoor unit's service valve open?

(3) Troubleshooting procedure (If the air-conditioner does not run at all)

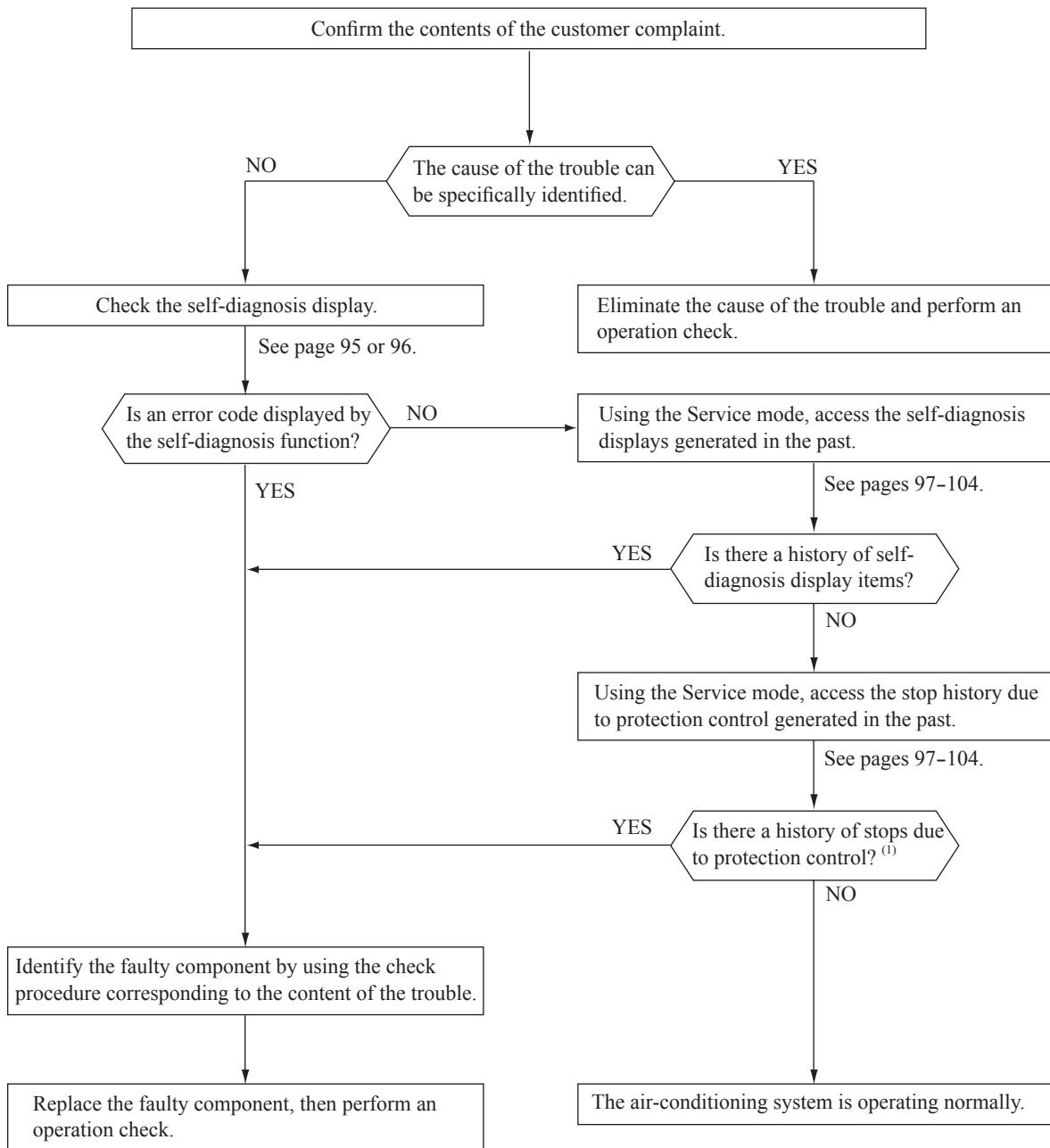
If the air-conditioner does not run at all, diagnose the trouble using the following troubleshooting procedure. If the air-conditioner is running but breaks down, proceed to troubleshooting step (4).

Important When all the following conditions are satisfied, we say that the air-conditioner will not run at all.

- (a) The RUN light does not light up.
- (b) The flaps do not open.
- (c) The indoor unit fan motors do not run.
- (d) The self-diagnosis display does not function.



(4) Troubleshooting procedure (If the air-conditioner runs)



Note (1) Even in cases where only intermittent stop data are generated, the air-conditioning system is normal. However, if the same protective operation recurs repeatedly (3 or more times), it will lead to customer complaints. Judge the conditions in comparison with the contents of the complaints.

(5) Self-diagnosis table

When this air-conditioner performs an emergency stop, the reason why the emergency stop occurred is displayed by the flashing of display lights. If the air-conditioner is operated using the wireless remote control 3 minutes or more after the emergency stop, the trouble display stops and the air-conditioner resumes operation. ⁽¹⁾

(a) Models SRK20, 25, 35, 45ZSPR-S

Indoor unit display section		Description of trouble	Cause	Display (flashing) condition
RUN light	TIMER light			
1 - time flash	ON	Indoor heat exchanger sensor error	<ul style="list-style-type: none"> Broken heat exchanger sensor wire, poor connector connection Indoor PCB is faulty 	When a heat exchanger sensor wire disconnection is detected while operation is stopped. (If a temperature of -28°C or lower is detected for 15 seconds, it is judged that the wire is disconnected.) (Not displayed during operation.)
2 - time flash	ON	Room temperature sensor error	<ul style="list-style-type: none"> Broken room temperature sensor wire, poor connector connection Indoor PCB is faulty 	When a room temperature sensor wire disconnection is detected while operation is stopped. (If a temperature of -45°C or lower is detected for 15 seconds, it is judged that the wire is disconnected.) (Not displayed during operation.)
5 - time flash	ON	Active filter voltage error	<ul style="list-style-type: none"> Defective active filter 	When the wrong voltage connected for the power source. When the outdoor PCB is faulty.
6 - time flash	ON	Indoor fan motor error	<ul style="list-style-type: none"> Defective fan motor, poor connector connection 	When conditions for turning the indoor unit's fan motor on exist during air-conditioner operation, an indoor unit fan motor speed of 300 min^{-1} or lower is measured for 30 seconds or longer. (The air-conditioner stops.)
7 - time flash	ON	Refrigeration cycle system protective control	<ul style="list-style-type: none"> Service valve is closed. Refrigerant is insufficient 	When refrigeration cycle system protective control operates.
Keeps flashing	1 - time flash	Outdoor air temperature sensor error	<ul style="list-style-type: none"> Broken outdoor air temp. sensor wire, poor connector connection Outdoor PCB is faulty 	-55°C or lower is detected for 5 seconds continuously 3 times within 40 minutes after initial detection of this anomalous temperature. Or -55°C or higher is detected for within 20 seconds after power ON. (The compressor is stopped.)
Keeps flashing	2 - time flash	Outdoor heat exchanger sensor error	<ul style="list-style-type: none"> Broken heat exchanger sensor wire, poor connector connection Outdoor PCB is faulty 	-55°C or lower is detected for 5 seconds continuously 3 times within 40 minutes after initial detection of this anomalous temperature. Or -55°C or higher is detected for within 20 seconds after power ON. (The compressor is stopped.)
Keeps flashing	4 - time flash	Discharge pipe sensor error	<ul style="list-style-type: none"> Broken discharge pipe sensor wire, poor connector connection Outdoor PCB is faulty 	-25°C or lower is detected for 5 seconds continuously 3 times within 40 minutes after initial detection of this anomalous temperature. (The compressor is stopped.)
ON	1 - time flash	Current cut	<ul style="list-style-type: none"> Compressor locking, open phase on compressor output, shortcircuit on power transistor, closed service valve 	The inverter output current (compressor motor current) exceeds the set value during compressor start. (The air-conditioner stops.)
ON	2 - time flash	Trouble of outdoor unit	<ul style="list-style-type: none"> Broken compressor wire Compressor blockage 	When there is an emergency stop caused by trouble in the outdoor unit, or the input current value is found to be lower than the set value. (The air-conditioner stops.)
ON	3 - time flash	Current safe stop	<ul style="list-style-type: none"> Overload operation Overcharge Compressor locking 	When the compressor command speed is lower than the set value and the current safe has operated. (The compressor is stopped.)
ON	4 - time flash	Power transistor error	<ul style="list-style-type: none"> Broken power transistor 	When there is an emergency stop caused by trouble in the outdoor unit, or the input current value is found to be lower than the set value continuously for 3 minutes or longer. (The compressor is stopped.)
ON	5 - time flash	Over heat of compressor	<ul style="list-style-type: none"> Gas shortage, defective discharge pipe sensor, closed service valve 	When the value of the discharge pipe sensor exceeds the set value. (The air-conditioner stops.)
ON	6 - time flash	Error of signal transmission	<ul style="list-style-type: none"> Defective power source Broken signal wire, defective indoor/outdoor PCB 	When there is no signal between the indoor PCB and outdoor PCB for 10 seconds or longer (when the power is turned on), or when there is no signal for 7 minute 35 seconds or longer (during operation) (The compressor is stopped.)
ON	7 - time flash	Outdoor fan motor error	<ul style="list-style-type: none"> Defective fan motor, poor connector connection 	When the outdoor unit's fan motor speed continues for 30 seconds or longer at 75 min^{-1} or lower. (3 times) (The air-conditioner stops.)
ON	Keeps flashing	Cooling high pressure protection	<ul style="list-style-type: none"> Overload operation, over charge Broken outdoor heat exchange sensor wire Service valve is closed. 	When the value of the outdoor heat exchanger sensor exceeds the set value.
2 - time flash	2 - time flash	Rotor lock	<ul style="list-style-type: none"> Defective compressor Open phase on compressor Defective outdoor PCB 	If the compressor motor's magnetic pole positions cannot be correctly detected when the compressor starts. (The air-conditioner stops.)

(b) Models SRK63, 71, 80ZSPR-S

Indoor unit display panel		Wired ⁽²⁾ remote control display	Description of trouble	Cause	Display (flashing) condition
RUN light	TIMER light				
1-time flash	ON	—	Heat exchanger sensor 1 error	<ul style="list-style-type: none"> Broken heat exchanger sensor 1 wire, poor connector connection Indoor PCB is faulty 	When a heat exchanger sensor 1 wire disconnection is detected while operation is stopped. (If a temperature of -28°C or lower is detected for 15 seconds, it is judged that the wire is disconnected.) (Not displayed during operation.)
2-time flash	ON	—	Room temperature sensor error	<ul style="list-style-type: none"> Broken room temperature sensor wire, poor connector connection Indoor PCB is faulty 	When a room temperature sensor wire disconnection is detected while operation is stopped. (If a temperature of -45°C or lower is detected for 15 seconds, it is judged that the wire is disconnected.) (Not displayed during operation.)
3-time flash	ON	—	Heat exchanger sensor 2 error	<ul style="list-style-type: none"> Broken heat exchanger sensor 2 wire, poor connector connection Indoor PCB is faulty 	When a heat exchanger sensor 2 wire disconnection is detected while operation is stopped. (If a temperature of -28°C or lower is detected for 15 seconds, it is judged that the wire is disconnected.) (Not displayed during operation.)
6-time flash	ON	E 16	Indoor fan motor error	<ul style="list-style-type: none"> Defective fan motor, poor connector connection 	When conditions for turning the indoor unit's fan motor on exist during air-conditioner operation, an indoor unit fan motor speed of 300 min ⁻¹ or lower is measured for 30 seconds or longer. (The air-conditioner stops.)
Keeps flashing	1-time flash	E 38	Outdoor air temperature sensor error	<ul style="list-style-type: none"> Broken outdoor air temp. sensor wire, poor connector connection Outdoor PCB is faulty 	-55°C or lower is detected for 5 seconds continuously 3 times within 40 minutes after initial detection of this anomalous temperature. Or -55°C or lower is detected for within 20 seconds after power ON. (The compressor is stopped.)
Keeps flashing	2-time flash	E 37	Outdoor heat exchanger sensor error	<ul style="list-style-type: none"> Broken heat exchanger sensor wire, poor connector connection Outdoor PCB is faulty 	-55°C or lower is detected for 5 seconds continuously 3 times within 40 minutes after initial detection of this anomalous temperature. Or -55°C or lower is detected for within 20 seconds after power ON. (The compressor is stopped.)
Keeps flashing	4-time flash	E 39	Discharge pipe sensor error	<ul style="list-style-type: none"> Broken discharge pipe sensor wire, poor connector connection Outdoor PCB is faulty 	-25°C or lower is detected for 5 seconds continuously 3 times within 40 minutes after initial detection of this anomalous temperature. (The compressor is stopped.)
ON	1-time flash	E 42	Current cut	<ul style="list-style-type: none"> Compressor locking, open phase on compressor output, short circuit on power transistor, service valve is closed 	The compressor output current exceeds the set value during compressor start. (The air-conditioner stops.)
ON	2-time flash	E 59	Trouble of outdoor unit	<ul style="list-style-type: none"> Broken compressor wire Compressor blockage 	When there is an emergency stop caused by trouble in the outdoor unit, or the input current value is found to be lower than the set value. (The air-conditioner stops.)
ON	3-time flash	E 58	Current safe stop	<ul style="list-style-type: none"> Overload operation Overcharge Compressor locking 	When the compressor command speed is lower than the set value and the current safe has operated. (the compressor stops)
ON	4-time flash	E 51	Power transistor error	<ul style="list-style-type: none"> Broken power transistor 	When the power transistor is judged breakdown while compressor starts. (The compressor is stopped.)
ON	5-time flash	E 36	Over heat of compressor	<ul style="list-style-type: none"> Gas shortage, defective discharge pipe sensor, service valve is closed 	When the value of the discharge pipe sensor exceeds the set value. (The air-conditioner stops.)
ON	6-time flash	E 5	Error of signal transmission	<ul style="list-style-type: none"> Defective power source, Broken signal wire, defective indoor/outdoor PCB 	When there is no signal between the indoor PCB and outdoor PCB for 10 seconds or longer (when the power is turned on), or when there is no signal for 7 minute 35 seconds or longer (during operation) (the compressor is stopped).
ON	7-time flash	E 48	Outdoor fan motor error	<ul style="list-style-type: none"> Defective fan motor, poor connector connection 	When the outdoor unit's fan motor speed continues for 30 seconds or longer at 75 min ⁻¹ or lower. (3 times) (The air-conditioner stops.)
ON	Keeps flashing	E 35	Cooling high pressure protection	<ul style="list-style-type: none"> Overload operation, overcharge Broken outdoor heat exchange sensor wire Service valve is closed 	When the value of the outdoor heat exchanger sensor exceeds the set value.
2-time flash	2-time flash	E 60	Rotor lock	<ul style="list-style-type: none"> Defective compressor Open phase on compressor Defective outdoor PCB 	If the compressor motor's magnetic pole positions cannot be correctly detected when the compressor starts. (The air-conditioner stops.)
5-time flash	ON	E 47	Circuit error	<ul style="list-style-type: none"> Defective circuit 	When L1 cable or L2 cable disconnect. When the outdoor PCB is faulty.
7-time flash	ON	E 57	Refrigeration cycle system protective control	<ul style="list-style-type: none"> Service valve is closed. Refrigerant is insufficient 	When refrigeration cycle system protective control operates.
7-time flash	1-time flash	E 40	Service valve (gas side) closed operation	<ul style="list-style-type: none"> Service valve (gas side) closed Defective outdoor PCB 	If the output current of inverter exceeds the specifications, it makes the compressor stopping. (In heating mode).
—	—	E 1	Error of wired remote control wiring	<ul style="list-style-type: none"> Broken wired remote control wire, defective indoor PCB 	The wired remote control wire Y is open. The wired remote control wires X and Y are reversely connected. Noise is penetrating the wired remote control lines. The wired remote control or indoor PCB is faulty. (The communications circuit is faulty.)

Notes (1)The air-conditioner cannot be restarted using the remote control for 3 minutes after operation stops.

(2)The wired remote control is option parts.

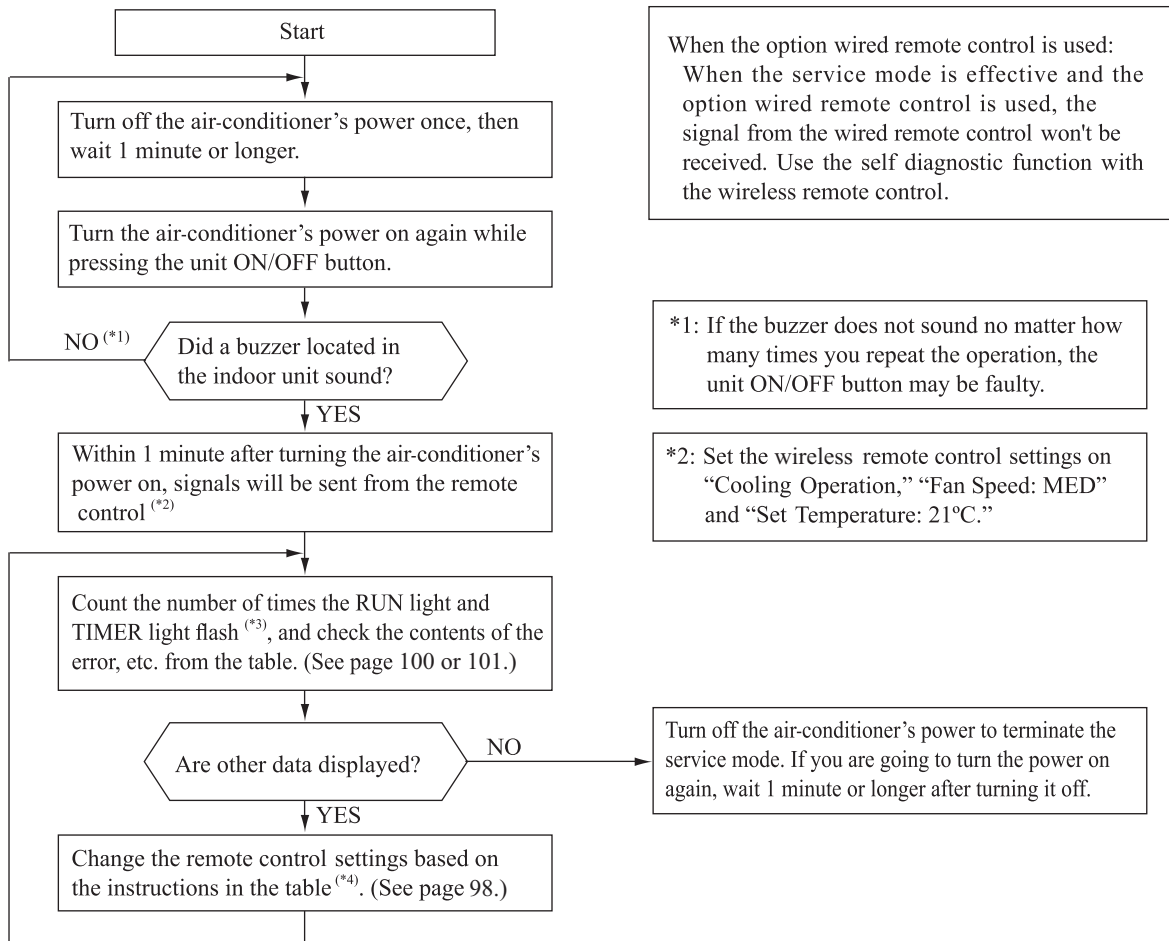
(6) Service mode (Trouble mode access function)

This air-conditioner is capable of recording error displays and protective stops (service data) which have occurred in the past. If self-diagnosis displays cannot be confirmed, it is possible to get a grasp of the conditions at the time trouble occurred by checking these service data.

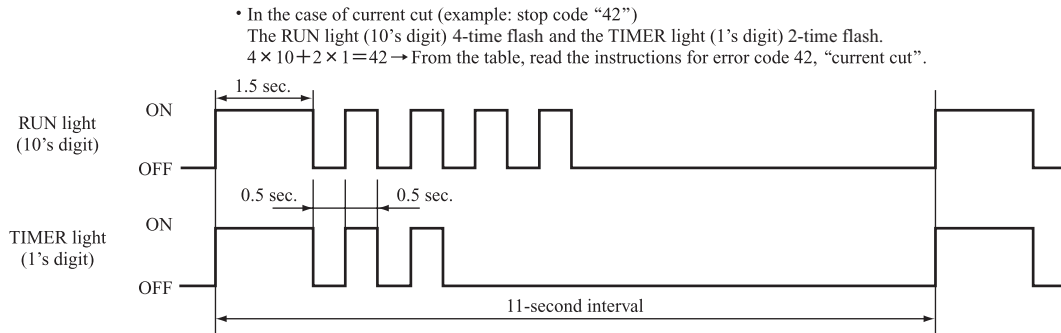
(a) Explanation of terms

Term	Explanation
Service mode	The service mode is the mode where service data are displayed by flashing of the display lights when the operations in item (b) below are performed with the indoor controller.
Service data	These are the contents of error displays and protective stops which occurred in the past in the air-conditioner system. Error display contents and protective stop data from past anomalous operations of the air-conditioner system are saved in the indoor unit control's non-volatile memory (memory which is not erased when the power goes off). There are two types of data, self-diagnosis data and stop data, described below.
Self-diagnosis data	These are the data which display the reason why a stop occurred when an error display (self-diagnosis display) occurred in an indoor unit. Data are recorded for up to 5 previous occurrences. Data which are older than the 5th previous occurrence are erased. In addition, data on the temperature of each sensor (room temperature, indoor heat exchanger, outdoor heat exchanger, outdoor air temperature, discharge pipe), remote control information (operation switching, fan speed switching) are recorded when trouble occurs, so more detailed information can be checked.
Stop data	These are the data which display the reason by a stop occurred when the air-conditioning system performed protective stops, etc. in the past. Even if stop data alone are generated, the system restarts automatically. (After executing the stop mode while the display is normal, the system restarts automatically.) Data for up to 10 previous occasions are stored. Data older than the 10th previous occasion are erased. (Important) In cases where transient stop data only are generated, the air-conditioner system may still be normal. However, if the same protective stop occurs frequently (3 or more times), it could lead to customer complaints.

(b) Service mode display procedure



*3: To count the number of flashes in the service mode, count the number of flashes after the light lights up for 1.5 second initially (start signal). (The time that the light lights up for 1.5 second (start signal) is not counted in the number of flashes.)



*4: When in the service mode, when the wireless remote control settings (operation mode, fan speed mode, temperature setting) are set as shown in the following table and sent to the air-conditioner unit, the unit switches to display of service data.

(i) Self-diagnosis data

What are Self-diagnosis Data?

These are control data (reasons for stops, temperature at each sensor, wireless remote control information) from the time when there were error displays (abnormal stops) in the indoor unit in the past.

Data from up to 5 previous occasions are stored in memory. Data older than the 5th previous occasion are erased.

The temperature setting indicates how many occasions previous to the present setting the error display data are and the operation mode and fan speed mode data show the type of data.

Wireless remote control setting		Contents of output data
Operation mode	Fan speed mode	
Cooling	MED	Displays the reason for stopping display in the past (error code).
	HI	Displays the room temperature sensor temperature at the time the error code was displayed in the past.
	AUTO	Displays the indoor heat exchanger sensor temperature at the time the error code was displayed in the past.
Heating	LO	Displays the wireless remote control information at the time the error code was displayed in the past.
	MED	Displays the outdoor air temperature sensor temperature at the time the error code was displayed in the past.
	HI	Displays the outdoor heat exchanger sensor temperature at the time the error code was displayed in the past.
	AUTO	Displays the discharge pipe sensor temperature at the time the error code was displayed in the past.

Wireless remote control setting	Indicates the number of occasions previous to the present the error display data are from.
Temperature setting	
21°C	1 time previous (previous time)
22°C	2 times previous
23°C	3 times previous
24°C	4 times previous
25°C	5 times previous

Only for indoor heat exchanger sensor 2 (Models SRK63, 71, 80 only)

Wireless remote control setting	Indicates the number of occasions previous to the present the error display data are from.
Temperature setting	
26°C	1 time previous (previous time)
27°C	2 times previous
28°C	3 times previous
29°C	4 times previous
30°C	5 times previous

(Example)

Wireless remote control setting			Displayed data
Operation mode	Fan speed mode	Temperature setting	
Cooling	MED	21°C	Displays the reason for the stop (error code) the previous time an error was displayed.
		22°C	Displays the reason for the stop (error code) 2 times previous when an error was displayed.
		23°C	Displays the reason for the stop (error code) 3 times previous when an error was displayed.
		24°C	Displays the reason for the stop (error code) 4 times previous when an error was displayed.
		25°C	Displays the reason for the stop (error code) 5 times previous when an error was displayed.

(ii) Stop data

Wireless remote control setting			Displayed data
Operation mode	Fan speed mode	Temperature setting	
Cooling	LO	21°C	Displays the reason for the stop (stop code) the previous time when the air-conditioner was stopped by protective stop control.
		22°C	Displays the reason for the stop (stop code) 2 times previous when the air-conditioner was stopped by protective stop control.
		23°C	Displays the reason for the stop (stop code) 3 times previous when the air-conditioner was stopped by protective stop control.
		24°C	Displays the reason for the stop (stop code) 4 times previous when the air-conditioner was stopped by protective stop control.
		25°C	Displays the reason for the stop (stop code) 5 times previous when the air-conditioner was stopped by protective stop control.
		26°C	Displays the reason for the stop (stop code) 6 times previous when the air-conditioner was stopped by protective stop control.
		27°C	Displays the reason for the stop (stop code) 7 times previous when the air-conditioner was stopped by protective stop control.
		28°C	Displays the reason for the stop (stop code) 8 times previous when the air-conditioner was stopped by protective stop control.
		29°C	Displays the reason for the stop (stop code) 9 times previous when the air-conditioner was stopped by protective stop control.
		30°C	Displays the reason for the stop (stop code) 10 times previous when the air-conditioner was stopped by protective stop control.

(c) Error code, stop code table (Assignment of error codes and stop codes is done in common for all models.)

(i) Models SRK20, 25, 35, 45ZSPR-S

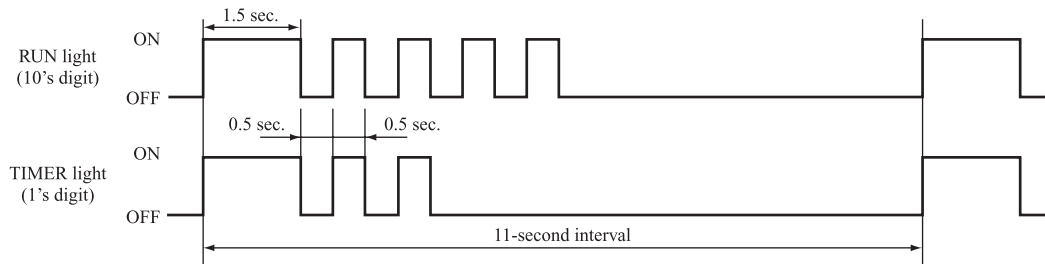
Number of flashes when in service mode		Stop code or Error code	Error content	Cause	Occurrence conditions	Error display	Auto recovery
RUN light (10's digit)	TIMER light (1's digit)						
OFF	OFF	0	Normal	—	—	—	—
	5 - time flash	05	Can not receive signals for 35 seconds (if communications have recovered)	Power source is faulty. Power source cables and signal lines are improperly wired. Indoor or outdoor PCB are faulty.	When 35 seconds passes without communications signals from either the outdoor unit or the indoor unit being detected correctly.	○	—
3 - time flash	5 - time flash	35	Cooling high pressure control	Cooling overload operation. Outdoor unit fan speed drops. Outdoor heat exchanger sensor is short circuit.	When the outdoor heat exchanger sensor's value exceeds the set value.	○ (5 times)	○
	6 - time flash	36	Compressor overheat 110°C	Refrigerant is insufficient. Discharge pipe sensor is faulty. Service valve is closed.	When the discharge pipe sensor's value exceeds the set value.	○ (2 times)	○
	7 - time flash	37	Outdoor heat exchanger sensor is abnormal	Outdoor heat exchanger sensor wire is disconnected. Connector connections are poor. Outdoor PCB is faulty.	-55°C or lower is detected for 5 seconds continuously 3 times within 40 minutes after initial detection of this anomalous temperature. Or -55°C higher is detected for 5 seconds continuously within 20 seconds after power ON.	○ (3 times)	○
	8 - time flash	38	Outdoor air temperature sensor is abnormal	Outdoor air temperature sensor wire is disconnected. Connector connections are poor. Outdoor PCB is faulty.	-55°C or lower is detected for 5 seconds continuously 3 times within 40 minutes after initial detection of this anomalous temperature. Or -55°C higher is detected for 5 seconds continuously within 20 seconds after power ON.	○ (3 times)	○
	9 - time flash	39	Discharge pipe sensor is abnormal (anomalous stop)	Discharge pipe sensor wire is disconnected. Connector connections are poor. Outdoor PCB is faulty.	-25°C or lower is detected for 5 seconds continuously 3 times within 40 minutes after initial detection of this anomalous temperature.	○ (3 times)	○
4 - time flash	2 - time flash	42	Current cut	Compressor lock. Compressor wiring short circuit. Compressor output is open phase. Outdoor PCB is faulty. Service valve is closed. Electronic expansion valve is faulty. Compressor is faulty.	Compressor start fails 42 times in succession and the reason for the final failure is current cut.	○ (2 times)	○
	7 - time flash	47	Active filter voltage error	Defective active filter	When the wrong voltage connected for the power source. When the outdoor PCB is faulty.	○	—
	8 - time flash	48	Outdoor unit's fan motor is abnormal	Outdoor fan motor is faulty. Connector connections are poor. Outdoor PCB is faulty.	When a fan speed of 75 min ⁻¹ or lower continues for 30 seconds or longer.	○ (3 times)	○
5 - time flash	1 - time flash	51	Short circuit in the power transistor (high side) Current cut circuit breakdown	Outdoor PCB is faulty. Power transistor is damaged.	When it is judged that the power transistor was damaged at the time the compressor started.	○	—
	7 - time flash	57	Refrigeration cycle system protective control	Service valve is closed. Refrigerant is insufficient.	When refrigeration cycle system protective control operates.	○ (3 times)	○
	8 - time flash	58	Current safe	Refrigerant is overcharge. Compressor lock. Overload operation.	When there is a current safe stop during operation.	—	○
	9 - time flash	59	Compressor wiring is unconnection Voltage drop Low speed protective control	Compressor wiring is disconnected. Power transistor is damaged. Power source construction is defective. Outdoor PCB is faulty. Compressor is faulty.	When the current is 1A or less at the time the compressor started. When the power source voltage drops during operation. When the compressor command speed is lower than 32 rps for 60 minutes.	○	○
6 - time flash	OFF	60	Rotor lock	Compressor is faulty. Compressor output is open phase. Electronic expansion valve is faulty. Overload operation. Outdoor PCB is faulty.	After the compressor starts, when the compressor stops due to rotor lock.	○ (2 times)	○
	1 - time flash	61	Connection lines between the indoor and outdoor units are faulty	Connection lines are faulty. Indoor or outdoor PCB are faulty.	When 10 seconds passes after the power is turned on without communications signals from the indoor or outdoor unit being detected correctly.	○	—
	2 - time flash	62	Serial transmission error	Indoor or outdoor PCB are faulty. Noise is causing faulty operation.	When 7 minute 35 seconds passes without communications signals from either the outdoor unit or the indoor unit being detected correctly.	○	—
8 - time flash	OFF	80	Indoor unit's fan motor is abnormal	Indoor fan motor is faulty. Connector connections are poor. Indoor PCB is faulty.	When the indoor unit's fan motor is detected to be running at 300 min ⁻¹ or lower speed with the fan motor in the ON condition while the air-conditioner is running.	○	—
	2 - time flash	82	Indoor heat exchanger sensor is abnormal (anomalous stop)	Indoor heat exchanger sensor wire is disconnected. Connector connections are poor.	When a temperature of -28°C or lower is sensed continuously for 40 minutes during heating operation. (the compressor stops).	○	—
	4 - time flash	84	Anti-condensation control	High humidity condition. Humidity sensor is faulty.	Anti-condensation prevention control is operating.	—	○
	5 - time flash	85	Anti-frost control	Indoor unit fan speed drops. Indoor heat exchanger sensor is broken wire.	When the anti-frost control operates and the compressor stops during cooling operation.	—	○
	6 - time flash	86	Heating high pressure control	Heating overload operation. Indoor unit fan speed drops. Indoor heat exchanger sensor is short circuit.	When high pressure control operates during heating operation and the compressor stops.	—	○

(ii) Models SRK63, 71, 80ZSPR-S

Number of flashes when in service mode		Stop code or Error code	Error content	Cause	Occurrence conditions	Error display	Auto recovery
RUN light (10's digit)	TIMER light (1's digit)						
OFF	OFF	0	Normal	—	—	—	—
	1-time flash	01	Error of wired remote control wiring	Broken wired remote control wire, defective indoor PCB	The wired remote control wire Y is open. The wired remote control wires X and Y are reversely connected. Noise is penetrating the wired remote control lines. The wired remote control or indoor PCB is faulty.	—	○
	5-time flash	05	Can not receive signals for 35 seconds (if communications have recovered)	Power source is faulty. Power source cables and signal lines are improperly wired. Indoor or outdoor PCB are faulty.	When 35 seconds passes without communications signals from either the outdoor unit or the indoor unit being detected correctly.	○	—
3-time flash	5-time flash	35	Cooling high pressure control	Cooling overload operation. Outdoor unit fan speed drops. Outdoor heat exchanger sensor is short circuit.	When the outdoor heat exchanger sensor's value exceeds the set value.	○ (5 times)	○
	6-time flash	36	Compressor overheat 115°C	Refrigerant is insufficient. Discharge pipe sensor is faulty. Service valve is closed.	When the discharge pipe sensor's value exceeds the set value.	○ (2 times)	○
	7-time flash	37	Outdoor heat exchanger sensor is abnormal	Outdoor heat exchanger sensor wire is disconnected. Connector connections are poor. Outdoor PCB is faulty.	-55°C or lower is detected for 5 seconds continuously 3 times within 40 minutes after initial detection of this anomalous temperature. Or -55°C lower is detected for 5 seconds continuously within 20 seconds after power ON.	○ (3 times)	○
	8-time flash	38	Outdoor air temperature sensor is abnormal	Outdoor air temperature sensor wire is disconnected. Connector connections are poor. Outdoor PCB is faulty.	-55°C or lower is detected for 5 seconds continuously 3 times within 40 minutes after initial detection of this anomalous temperature. Or -55°C lower is detected for 5 seconds continuously within 20 seconds after power ON.	○ (3 times)	○
	9-time flash	39	Discharge pipe sensor is abnormal (anomalous stop)	Discharge pipe sensor wire is disconnected. Connector connections are poor. Outdoor PCB is faulty.	-25°C or lower is detected for 5 seconds continuously 3 times within 40 minutes after initial detection of this anomalous temperature.	○ (3 times)	○
4-time flash	OFF	40	Service valve (gas side) closed operation	Service valve (gas side) closed Outdoor PCB is faulty.	If the inverter output current value exceeds the setting value within 80 seconds after the compressor ON in the heating mode, the compressor stops.	○ (2 times)	○
	2-time flash	42	Current cut	Compressor lock. Compressor wiring short circuit. Compressor output is open phase. Outdoor PCB is faulty. Service valve is closed. Electronic expansion valve is faulty. Compressor is faulty.	Compressor start fails 42 times in succession and the reason for the final failure is current cut.	○ (2 times)	○
	7-time flash	47	Circuit error	Defective circuit	When L1 cable or L2 cable disconnect. When the outdoor PCB is faulty.	○	—
	8-time flash	48	Outdoor unit's fan motor is abnormal	Outdoor fan motor is faulty. Connector connections are poor. Outdoor PCB is faulty.	When a fan speed of 75 min ⁻¹ or lower continues for 30 seconds or longer.	○ (3 times)	○
5-time flash	1-time flash	51	Short circuit in the power transistor (high side) Current cut circuit breakdown	Outdoor PCB is faulty. Power transistor is damaged.	When it is judged that the power transistor was damaged at the time the compressor started.	○	—
	7-time flash	57	Refrigeration cycle system protective control	Service valve is closed. Refrigerant is insufficient.	When refrigeration cycle system protective control operates.	○ (3 times)	○
	8-time flash	58	Current safe	Refrigerant is overcharge. Compressor lock. Overload operation.	When there is a current safe stop during operation.	—	○
	9-time flash	59	Compressor wiring is unconnection voltage drop Low speed protective control	Compressor wiring is disconnected. Power transistor is damaged. Power source construction is defective. Outdoor PCB is faulty. Compressor is faulty.	When the current is 1A or less at the time the compressor started. When the power source voltage drops during operation. When the compressor command speed is 1 lower than 32 rps for 60 minutes.	○	○
6-time flash	OFF	60	Rotor lock	Compressor is faulty. Compressor output is open phase. Electronic expansion valve is faulty. Overload operation. Outdoor PCB is faulty.	After the compressor starts, when the compressor stops due to rotor lock.	○ (2 times)	○
	1-time flash	61	Connection lines between the indoor and outdoor units are faulty	Connection lines are faulty. Indoor or outdoor PCB are faulty.	When 10 seconds passes after the power is turned on without communications signals from the indoor or outdoor unit being detected correctly.	○	—
	2-time flash	62	Serial transmission error	Indoor or outdoor PCB are faulty. Noise is causing faulty operation.	When 7 minute 35 seconds passes without communications signals from either the outdoor unit or the indoor unit being detected correctly.	○	—
8-time flash	OFF	80	Indoor unit's fan motor is abnormal	Indoor fan motor is faulty. Connector connections are poor. Indoor PCB is faulty.	When the indoor unit's fan motor is detected to be running at 300 min ⁻¹ or lower speed with the fan motor in the ON condition while the air-conditioner is running.	○	—
	2-time flash	82	Indoor heat exchanger sensor is abnormal (anomalous stop)	Indoor heat exchanger sensor wire is disconnected. Connector connections are poor.	When a temperature of -28°C or lower is sensed continuously for 40 minutes during heating operation. (the compressor stops).	○	—
	4-time flash	84	Anti-condensation control	High humidity condition. Humidity sensor is faulty.	Anti-condensation prevention control is operating.	—	○
	5-time flash	85	Anti-frost control	Indoor unit fan speed drops. Indoor heat exchanger sensor is broken wire.	When the anti-frost control operates and the compressor stops during cooling operation.	—	○
	6-time flash	86	Heating high pressure control	Heating overload operation. Indoor unit fan speed drops. Indoor heat exchanger sensor is short circuit.	When high pressure control operates during heating operation and the compressor stops.	—	○

Notes (1) The number of flashes when in the Service Mode do not include the 1.5 second period when the lights light up at first (start signal). (See the example shown below.)

- In the case of current cut (example: stop code "42")
The RUN light (10's digit) 4-time flash and the TIMER light (1's digit) 2-time flash.
 $4 \times 10 + 2 \times 1 = 42 \rightarrow$ From the table, read the instructions for error code 42, "current cut".



- (2) Error display:
 - Is not displayed. (automatic recovery only)
 Displayed.
 If there is a () displayed, the error display shows the number of times that an auto recovery occurred for the same reason has reached the number of times in ().
 If no () is displayed, the error display shows that the trouble has occurred once.
- (3) Auto recovery:
 - Does not occur
 Auto recovery occurs.

(d) Operation mode and fan speed mode information tables

(i) Operation mode

Display pattern when in service mode	Operation mode when there is an abnormal stop
RUN light (10's digit)	
—	AUTO
1-time flash	DRY
2-time flash	COOL
3-time flash	FAN
4-time flash	HEAT

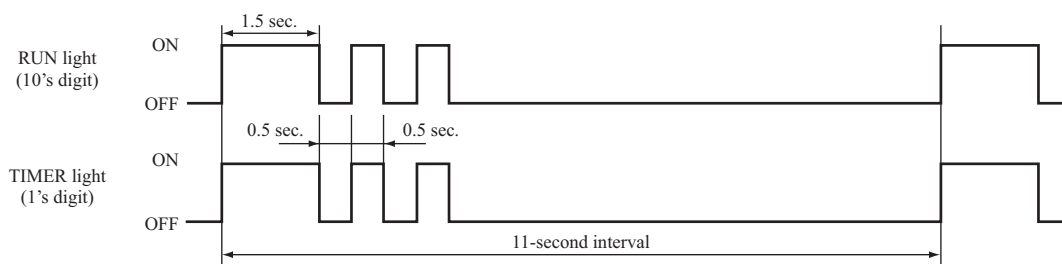
(ii) Fan speed mode

Display pattern when in service mode	Fan speed mode when there is an abnormal stop
TIMER light (1's digit)	
—	AUTO
2-time flash	HI
3-time flash	MED
4-time flash	LO
5-time flash	ULO
6-time flash	HI POWER
7-time flash	ECONO

* If no data are recorded (error code is normal), the information display in the operation mode and fan speed mode becomes as follows.

Mode	Display when error code is normal.
Operation mode	AUTO
Fan speed mode	AUTO

(Example): Operation mode: COOL, Fan speed mode: HI



(e) Room temperature sensor temperature, indoor heat exchanger sensor temperature, outdoor air temperature sensor temperature, outdoor heat exchanger sensor temperature table

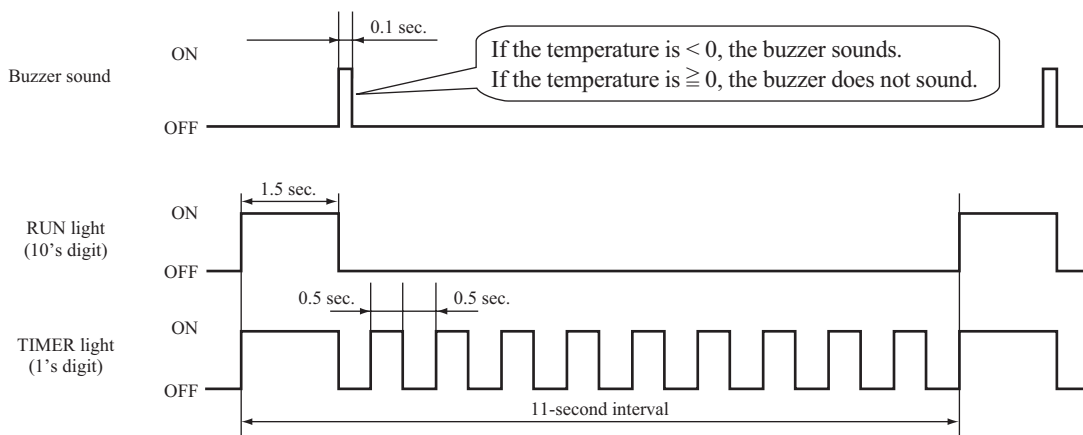
Unit: °C

Buzzer sound	RUN light (10's digit)	TIMER light (1's digit)										
		0	1	2	3	4	5	6	7	8	9	
Yes (sounds for 0.1 second)	6	-60	-61	-62	-63	-64						
	5	-50	-51	-52	-53	-54	-55	-56	-57	-58	-59	
	4	-40	-41	-42	-43	-44	-45	-46	-47	-48	-49	
	3	-30	-31	-32	-33	-34	-35	-36	-37	-38	-39	
	2	-20	-21	-22	-23	-24	-25	-26	-27	-28	-29	
	1	-10	-11	-12	-13	-14	-15	-16	-17	-18	-19	
	0	/	-1	-2	-3	-4	-5	-6	-7	-8	-9	
No (does not sound)	0	0	1	2	3	4	5	6	7	8	9	
	1	10	11	12	13	14	15	16	17	18	19	
	2	20	21	22	23	24	25	26	27	28	29	
	3	30	31	32	33	34	35	36	37	38	39	
	4	40	41	42	43	44	45	46	47	48	49	
	5	50	51	52	53	54	55	56	57	58	59	
	6	60	61	62	63	64	65	66	67	68	69	
	7	70	71	72	73	74	75	76	77	78	79	
	8	80	81	82	83	84	85	86	87	88	89	
	9	90	91	92	93	94	95	96	97	98	99	

* If no data are recorded (error code is normal), the display for each sensor becomes as shown below.

Sensor name	Sensor value displayed when the error code is normal
Room temperature sensor temperature	-64°C
Indoor heat exchanger sensor temperature	-64°C
Outdoor air temperature sensor temperature	-64°C
Outdoor heat exchanger sensor temperature	-64°C

(Example) Room temperature, indoor heat exchanger, outdoor air temperature, outdoor heat exchanger: “-9°C”



(f) Discharge pipe temperature table

Unit: °C

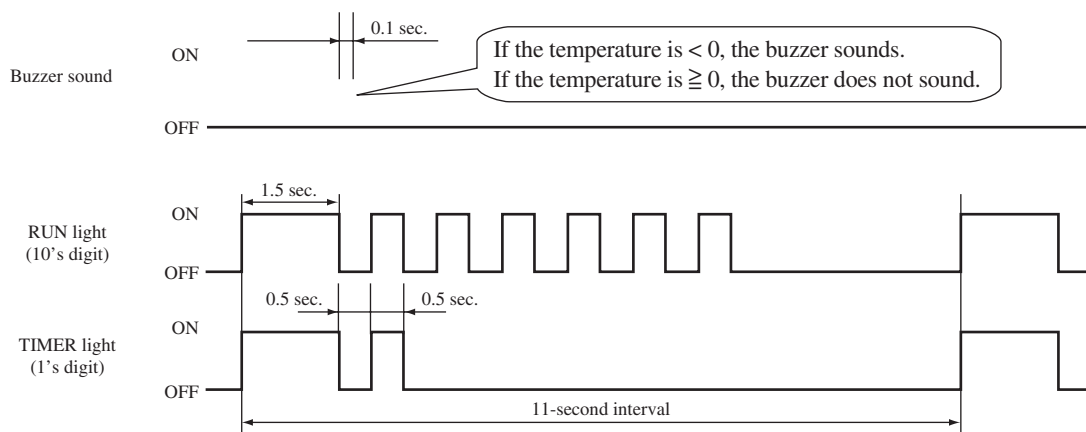
Buzzer sound		RUN light (10's digit)		TIMER light (1's digit)									
		0	1	2	3	4	5	6	7	8	9		
Yes (sounds for 0.1 second)	3	-60	-62	-64									
	2	-40	-42	-44	-46	-48	-50	-52	-54	-56	-58		
	1	-20	-22	-24	-26	-28	-30	-32	-34	-36	-38		
	0	/	-2	-4	-6	-8	-10	-12	-14	-16	-18		
No (does not sound)	0	0	2	4	6	8	10	12	14	16	18		
	1	20	22	24	26	28	30	32	34	36	38		
	2	40	42	44	46	48	50	52	54	56	58		
	3	60	62	64	66	68	70	72	74	76	78		
	4	80	82	84	86	88	90	92	94	96	98		
	5	100	102	104	106	108	110	112	114	116	118		
	6	120	122	124	126	128	130	132	134	136	138		
	7	140	142	144	146	148	150						

* If no data is recorded (error code is normal), the display for sensor becomes as shown below.

Sensor name	Sensor value displayed when the error code is normal
Discharge pipe sensor temperature	-64°C

(Example) Discharge pipe temperature: "122°C"

* In the case of discharge pipe data, multiply the reading value by 2. (Below, 61 x 2 = "122°C")



(g) Service data record form
(i) Models SRK20, 25, 35, 45ZSPR-S

Customer				Model			
Date of investigation							
Machine name							
Content of complaint							
Remote control settings			Content of displayed data	Display results			Display content
Temperature setting	Operation switching	Fan speed switching		Buzzer (Yes/No.)	RUN light (Times)	TIMER light (Times)	
21	Cooling	MED	Error code on previous occasion.	/			
		HI	Room temperature sensor temperature on previous occasion.				
		AUTO	Indoor heat exchanger sensor temperature on previous occasion.				
	Heating	LO	Remote control information on previous occasion.	/			
		MED	Outdoor air temperature sensor temperature on previous occasion.				
		HI	Outdoor heat exchanger sensor temperature on previous occasion.				
22	Cooling	MED	Error code on second previous occasion.	/			
		HI	Room temperature sensor temperature on second previous occasion.				
		AUTO	Indoor heat exchanger sensor temperature on second previous occasion.				
	Heating	LO	Remote control information on second previous occasion.	/			
		MED	Outdoor air temperature sensor temperature on second previous occasion.				
		HI	Outdoor heat exchanger sensor temperature on second previous occasion.				
23	Cooling	MED	Error code on third previous occasion.	/			
		HI	Room temperature sensor temperature on third previous occasion.				
		AUTO	Indoor heat exchanger sensor temperature on third previous occasion.				
	Heating	LO	Remote control information on third previous occasion.	/			
		MED	Outdoor air temperature sensor temperature on third previous occasion.				
		HI	Outdoor heat exchanger sensor temperature on third previous occasion.				
24	Cooling	MED	Error code on fourth previous occasion.	/			
		HI	Room temperature sensor temperature on fourth previous occasion.				
		AUTO	Indoor heat exchanger sensor temperature on fourth previous occasion.				
	Heating	LO	Remote control information on fourth previous occasion.	/			
		MED	Outdoor air temperature sensor temperature on fourth previous occasion.				
		HI	Outdoor heat exchanger sensor temperature on fourth previous occasion.				
25	Cooling	MED	Error code on fifth previous occasion.	/			
		HI	Room temperature sensor temperature on fifth previous occasion.				
		AUTO	Indoor heat exchanger sensor temperature on fifth previous occasion.				
	Heating	LO	Remote control information on fifth previous occasion.	/			
		MED	Outdoor air temperature sensor temperature on fifth previous occasion.				
		HI	Outdoor heat exchanger sensor temperature on fifth previous occasion.				
21	Cooling	LO	Stop code on previous occasion.				
22			Stop code on second previous occasion.				
23			Stop code on third previous occasion.				
24			Stop code on fourth previous occasion.				
25			Stop code on fifth previous occasion.				
26			Stop code on sixth previous occasion.				
27			Stop code on seventh previous occasion.				
28			Stop code on eighth previous occasion.				
29			Stop code on ninth previous occasion.				
30			Stop code on tenth previous occasion.				
Judgment							Examiner
Remarks							

(ii) Models SRK63, 71, 80ZSPR-S

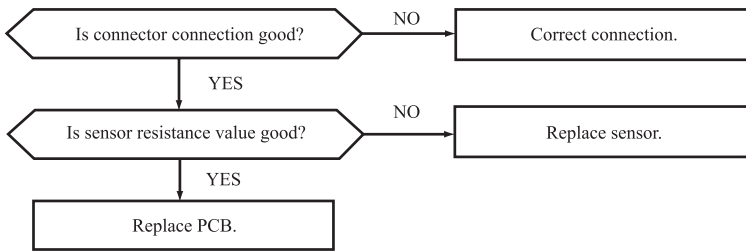
Customer		Model				
Date of investigation						
Machine name						
Content of complaint						
Wireless remote control settings			Display results			Display content
Temperature setting	Operation mode	Fan speed mode	Content of displayed data			
			Buzzer (Yes/No.)	RUN light (Times)	TIMER light (Times)	
21	Cooling	MED	Error code on previous occasion.	/		
		HI	Room temperature sensor on previous occasion.			
		AUTO	Indoor heat exchanger sensor 1 on previous occasion.			
	Heating	LO	Wireless remote control information on previous occasion.	/		
		MED	Outdoor air temperature sensor on previous occasion.			
		HI	Outdoor heat exchanger sensor on previous occasion.			
26	Cooling	AUTO	Indoor heat exchanger sensor 2 on previous occasion.			
22	Cooling	MED	Error code on second previous occasion.	/		
		HI	Room temperature sensor on second previous occasion.			
		AUTO	Indoor heat exchanger sensor 1 on second previous occasion.			
	Heating	LO	Wireless remote control information on second previous occasion.	/		
		MED	Outdoor air temperature sensor on second previous occasion.			
		HI	Outdoor heat exchanger sensor on second previous occasion.			
27	Cooling	AUTO	Indoor heat exchanger sensor 2 on second occasion.			
23	Cooling	MED	Error code on third previous occasion.	/		
		HI	Room temperature sensor on third previous occasion.			
		AUTO	Indoor heat exchanger sensor 1 on third previous occasion.			
	Heating	LO	Wireless remote control information on third previous occasion.	/		
		MED	Outdoor air temperature sensor on third previous occasion.			
		HI	Outdoor heat exchanger sensor on third previous occasion.			
28	Cooling	AUTO	Indoor heat exchanger sensor 2 on third occasion.			
24	Cooling	MED	Error code on fourth previous occasion.	/		
		HI	Room temperature sensor on fourth previous occasion.			
		AUTO	Indoor heat exchanger sensor 1 on fourth previous occasion.			
	Heating	LO	Wireless remote control information on fourth previous occasion.	/		
		MED	Outdoor air temperature sensor on fourth previous occasion.			
		HI	Outdoor heat exchanger sensor on fourth previous occasion.			
29	Cooling	AUTO	Indoor heat exchanger sensor 2 on fourth occasion.			
25	Cooling	MED	Error code on fifth previous occasion.	/		
		HI	Room temperature sensor on fifth previous occasion.			
		AUTO	Indoor heat exchanger sensor 1 on fifth previous occasion.			
	Heating	LO	Wireless remote control information on fifth previous occasion.	/		
		MED	Outdoor air temperature sensor on fifth previous occasion.			
		HI	Outdoor heat exchanger sensor on fifth previous occasion.			
30	Cooling	AUTO	Indoor heat exchanger sensor 2 on fifth occasion.			
21	Cooling	LO	Stop code on previous occasion.			
22			Stop code on second previous occasion.			
23			Stop code on third previous occasion.			
24			Stop code on fourth previous occasion.			
25			Stop code on fifth previous occasion.			
26			Stop code on sixth previous occasion.			
27			Stop code on seventh previous occasion.			
28			Stop code on eighth previous occasion.			
29			Stop code on ninth previous occasion.			
30			Stop code on tenth previous occasion.			
Judgment						Examiner
Remarks						

Note (1) In the case of indoor heat exchanger sensor 2, match from 26 to 30 the temperature setting of wireless remote control. (Refer to page 98)

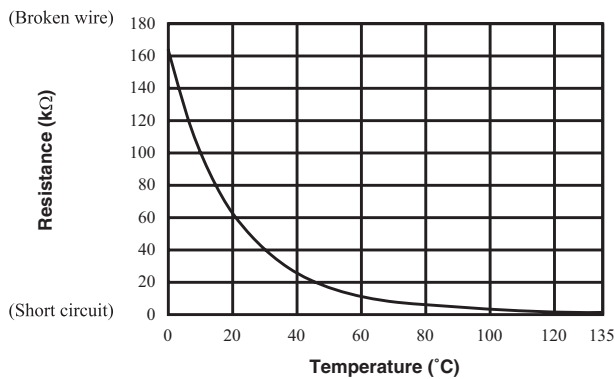
(7) Inspection procedures corresponding to detail of trouble

Sensor error

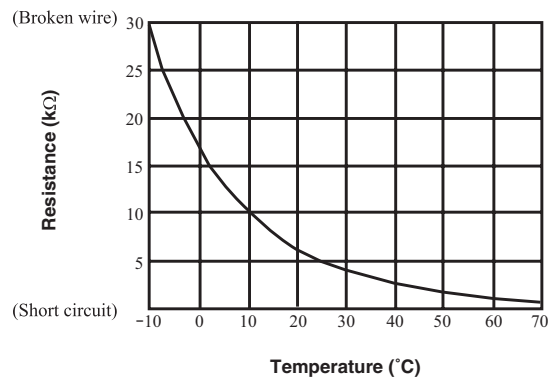
[Broken sensor wire, connector poor connection]



◆ Discharge pipe sensor temperature characteristics

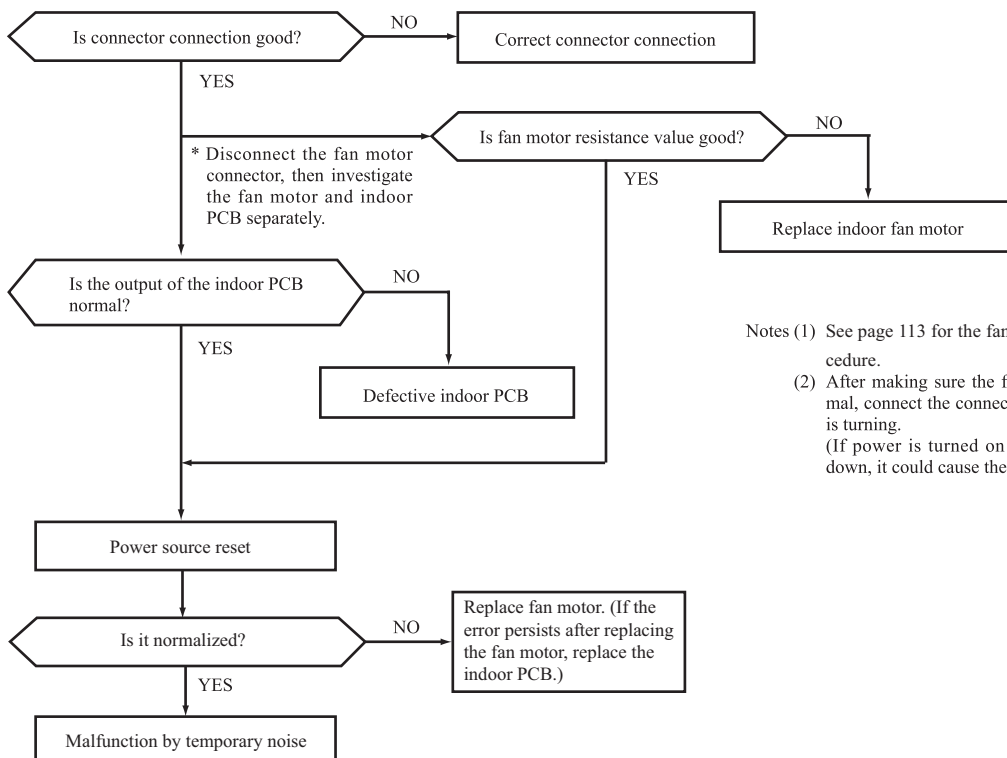


◆ Sensor temperature characteristics (Room temp., indoor heat exchanger temp., outdoor heat exchanger temp., outdoor air temp.)



Indoor fan motor error

[Defective fan motor, connector poor connection, defective indoor PCB]



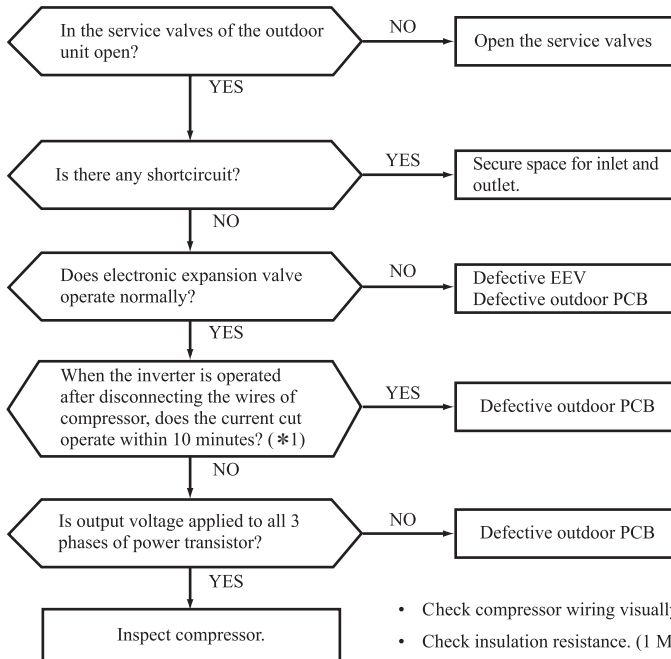
Notes (1) See page 113 for the fan motor and indoor PCB check procedure.

(2) After making sure the fan motor and indoor PCB are normal, connect the connectors and confirm that the fan motor is turning.

(If power is turned on while one or the other is broken down, it could cause the other to break down also.)

Current cut

[Compressor lock, Compressor wiring short circuit, Compressor output is open phase, Outdoor PCB is faulty, Service valve is closed, EEV is faulty, Compressor faulty.]



For inspection of electronic expansion valve, see page 118.

*1 If it is normal, it is the rotor lock problem.

- Check compressor wiring visually.
 - Check insulation resistance. (1 MΩ or over)
 - Check coil wire resistance.
- If check results are normal, compressor is locked.

SRK20, 25, 35 : 4.293Ω (U-V, V-W, U-W) or more at 20°C

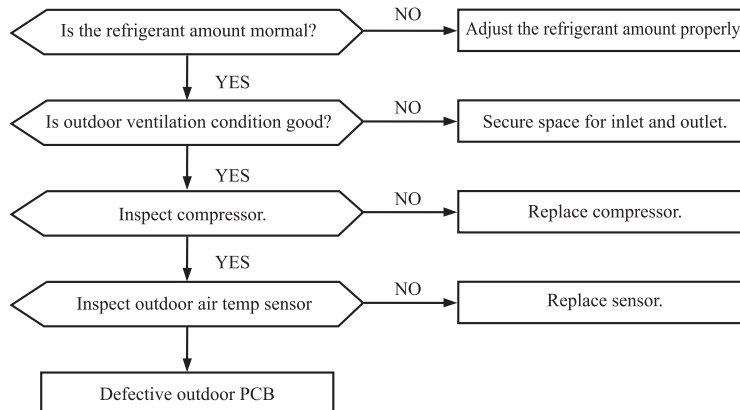
SRK45 : 1.104Ω (U-V, V-W, U-W) or more at 20°C

SRK63 : 0.864Ω (U-V, V-W, U-W) or more at 20°C

SRK71, 80 : 1.155Ω (U-V), 1.133Ω (V-W), 1.174Ω (U-W) or more at 20°C

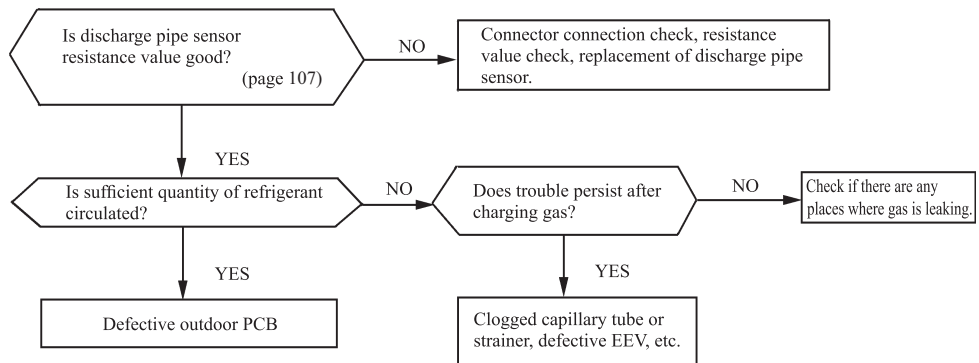
Current safe stop

[Overload operation, compressor lock, overcharge]



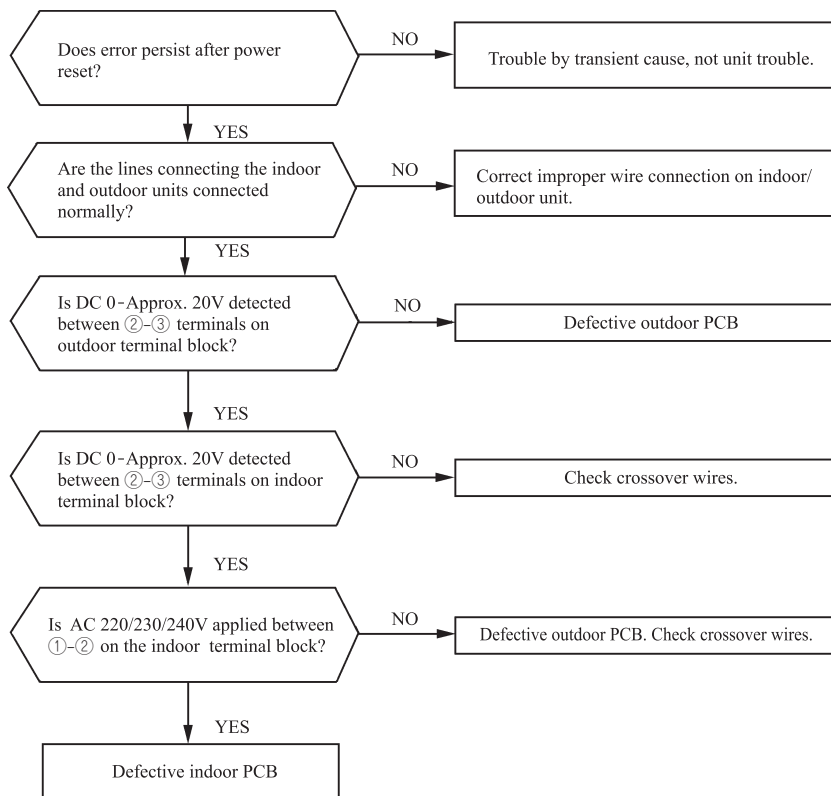
Over heat of compressor

[Gas shortage, defective discharge pipe sensor]



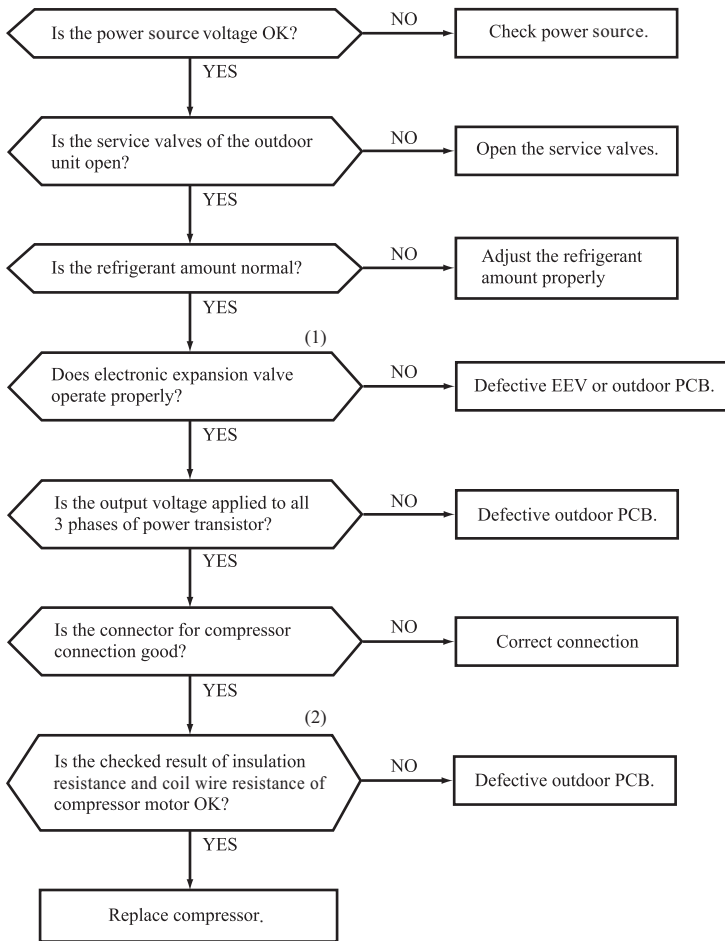
Error of signal transmission

[Wiring error including power cable, defective indoor/ outdoor PCB]



Trouble of outdoor unit

[Insufficient refrigerant amount, Faulty power transistor, Broken compressor wire]
 [Service valve close, Defective EEV, Defective outdoor PCB]



Proper power source voltages are as follows.
 (At the power source outlet)
 AC 220V : AC 198~242V
 AC 230V : AC 207~253V
 AC 240V : AC 216~264V

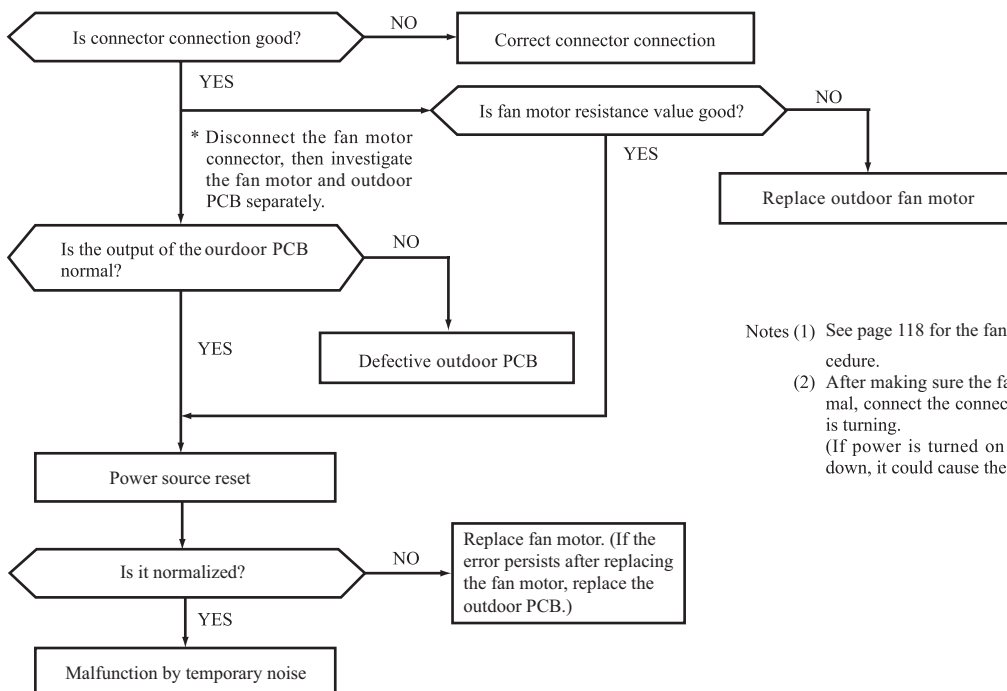
- ◆ Judgment of refrigerant quantity
- (1) Phenomenon of insufficient refrigerant
 - (a) Loss of capacity
 - (b) Poor defrost operation
(Frost is not removed completely.)
 - (c) Longer time of hot keep
(5 minute or more)
(Normal time: Approx. 1 – 1 minute and 30 seconds)

Notes (1) For inspection of electronic expansion valve, see page 118.

(2) Check coil wire resistance, see page 108.

Outdoor fan motor error

[Defective fan motor, connector poor connection, defective outdoor PCB]

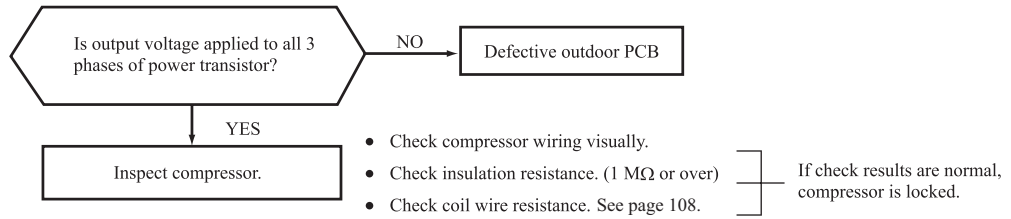


Notes (1) See page 118 for the fan motor and outdoor PCB check procedure.

(2) After making sure the fan motor and outdoor PCB are normal, connect the connectors and confirm that the fan motor is turning.
 (If power is turned on while one or the other is broken down, it could cause the other to break down also.)

Rotor lock

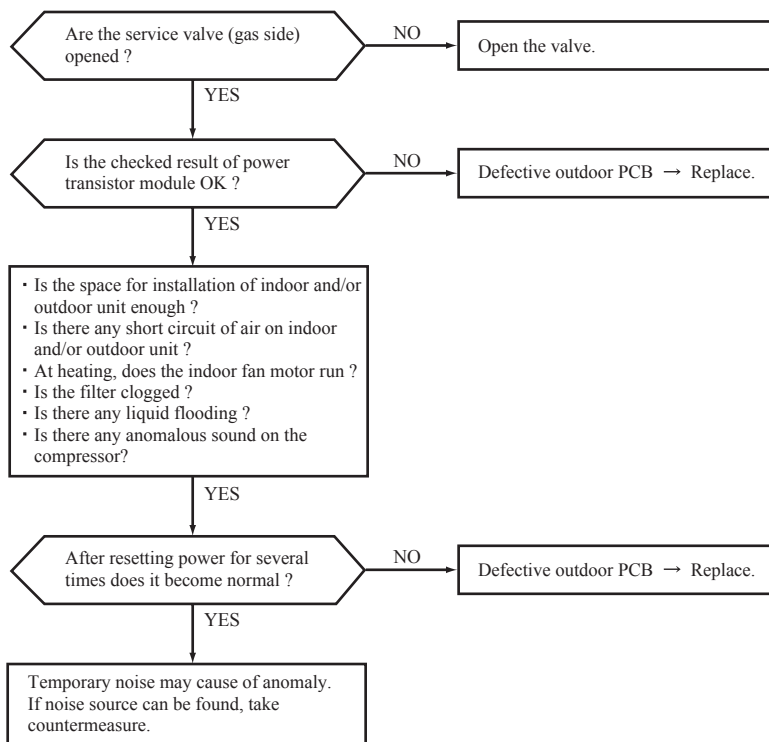
[Defective compressor, defective outdoor PCB]



Service valve (gas side) closed operation

[Service valve (gas side) closed, Defective outdoor PCB]

(Models SRK63, 71, 80 only)



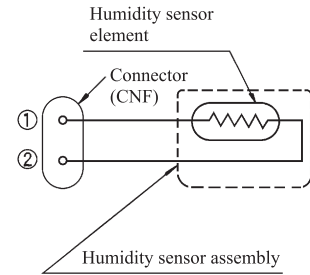
(8) Phenomenon observed after shortcircuit, wire breakage on sensor

(a) Indoor unit

Sensor	Operation mode	Phenomenon	
		Shortcircuit	Disconnected wire
Room temperature sensor	Cooling	Release of continuous compressor operation command.	Continuous compressor operation command is not released.
	Heating	Continuous compressor operation command is not released.	Release of continuous compressor operation command.
Heat exchanger sensor	Cooling	Freezing cycle system protection trips and stops the compressor.	Continuous compressor operation command is not released. (Anti-frosting)
	Heating	High pressure control mode (Compressor stop command)	Hot keep (Indoor fan stop)
Humidity sensor	Cooling	Refer to the table below.	Refer to the table below.
	Heating	Normal system operation is possible.	

■ Humidity sensor operation

Failure mode	Control input circuit reading	Air-conditioning system operation
Disconnected wire	① Disconnected wire	Humidity reading is 0%
	② Disconnected wire	
	①② Disconnected wire	
Short circuit	① and ② are short circuited	Humidity reading is 100%



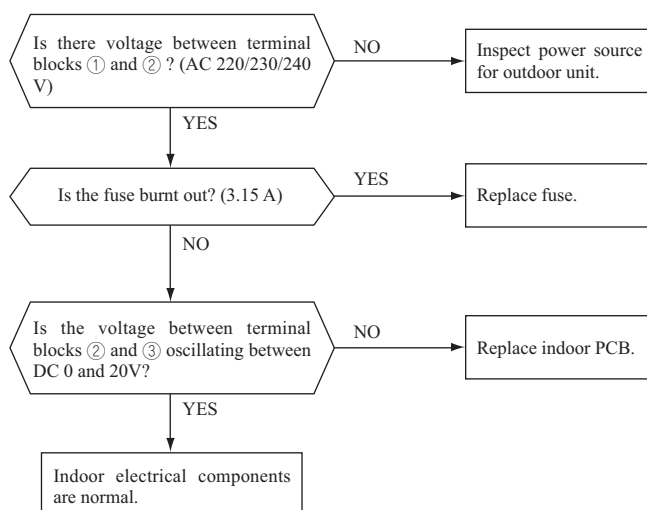
Remark: Do not perform a continuity check of the humidity sensor with a tester. If DC current is applied, it could damage the sensor.

(b) Outdoor unit

Sensor	Operation mode	Phenomenon	
		Shortcircuit	Disconnected wire
Heat exchanger sensor	Cooling	Compressor stop.	Compressor stop.
	Heating	Defrosting is not performed.	Defrosting is performed for 10 minutes at approx. 35 (model SRK35:45) minutes.
Outdoor air temperature sensor	Cooling	The compressor cannot pick up its speed owing to the current safe so that the designed capacity is not achieved.	Compressor stop.
	Heating	The compressor cannot pick up its speed owing to the heating overload protection so that the designed capacity is not achieved.	Defrosting is performed for 10 minutes at approx. 35 (model SRK35:45) minutes.
Discharge pipe sensor	All modes	Compressor overload protection is disabled. (Can be operated.)	Compressor stop.

(9) Checking the indoor electrical equipment

(a) Indoor PCB check procedure



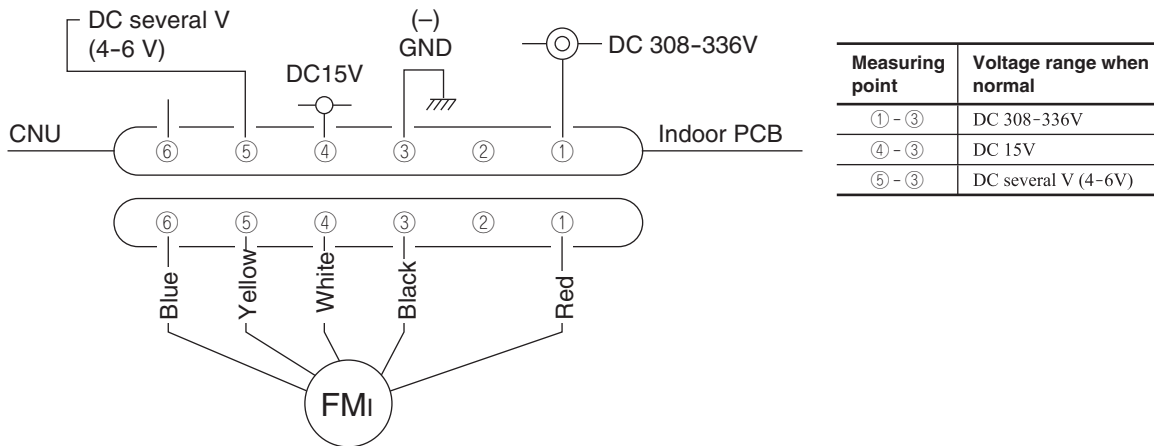
(b) Indoor unit fan motor check procedure

This is a diagnostic procedure for determining if the indoor unit's fan motor or the indoor PCB is broken down.

1) Indoor PCB output check

- a) Turn off the power.
- b) Remove the front panel, then disconnect the fan motor lead wire connector.
- c) Turn on the power. If the unit operates when the ON/OFF button is pressed, if trouble is detected after the voltages in the following figure are output for approximately 30 seconds, it means that the indoor PCB is normal and the fan motor is broken down.

If the voltages in the following figure are not output at connector pins No. ①, ④ and ⑤, the indoor PCB has failed and the fan motor is normal.

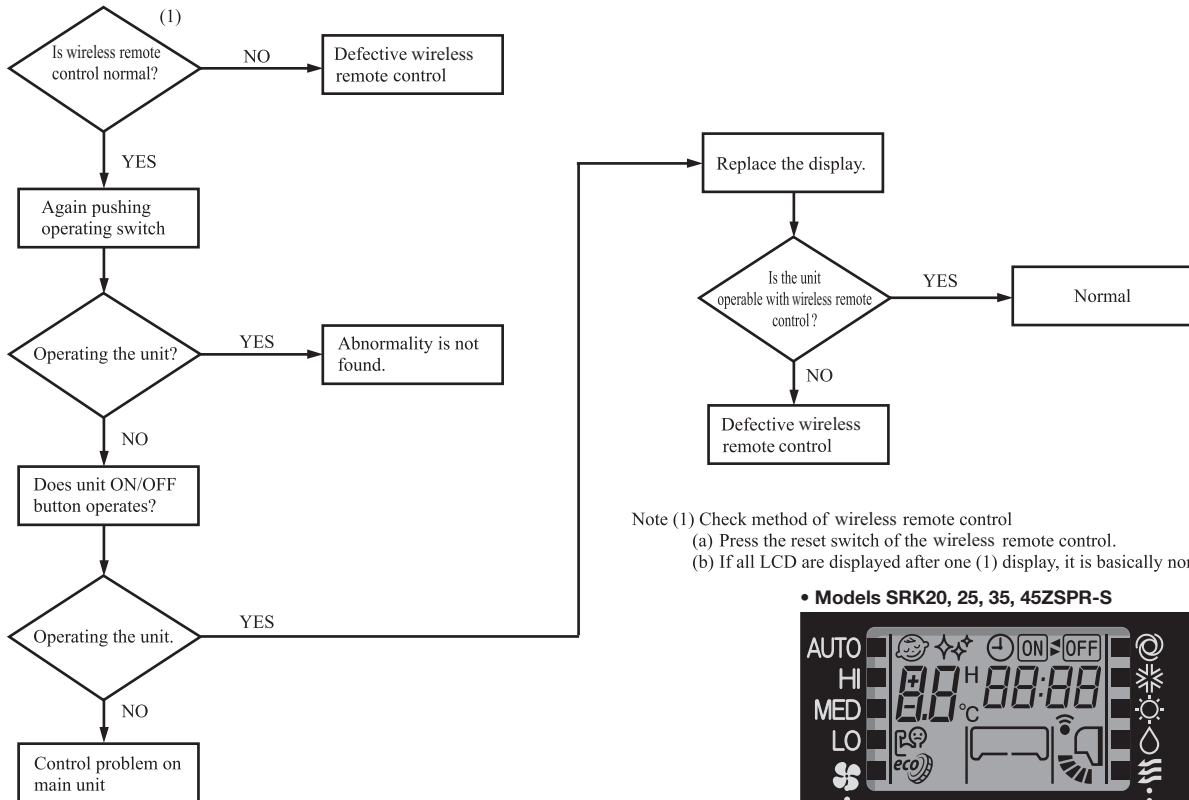


2) Fan motor resistance check

Measuring point	Resistance when normal
① - ③ (Red - Black)	20 MΩ or higher
④ - ③ (White - Black)	20 kΩ or higher

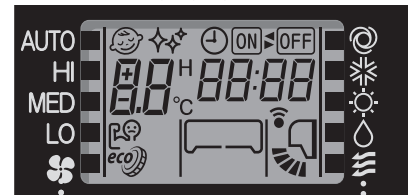
- Notes (1) Remove the fan motor and measure it without power connected to it.
- (2) If the measured value is below the value when the motor is normal, it means that the fan motor is faulty.

(10) How to make sure of wireless remote control

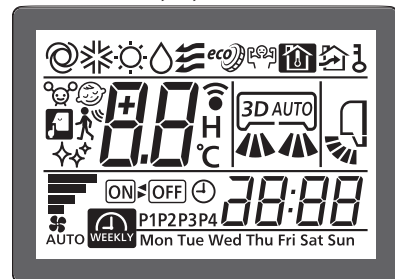


Note (1) Check method of wireless remote control
 (a) Press the reset switch of the wireless remote control.
 (b) If all LCD are displayed after one (1) display, it is basically normal.

• Models SRK20, 25, 35, 45ZSPR-S

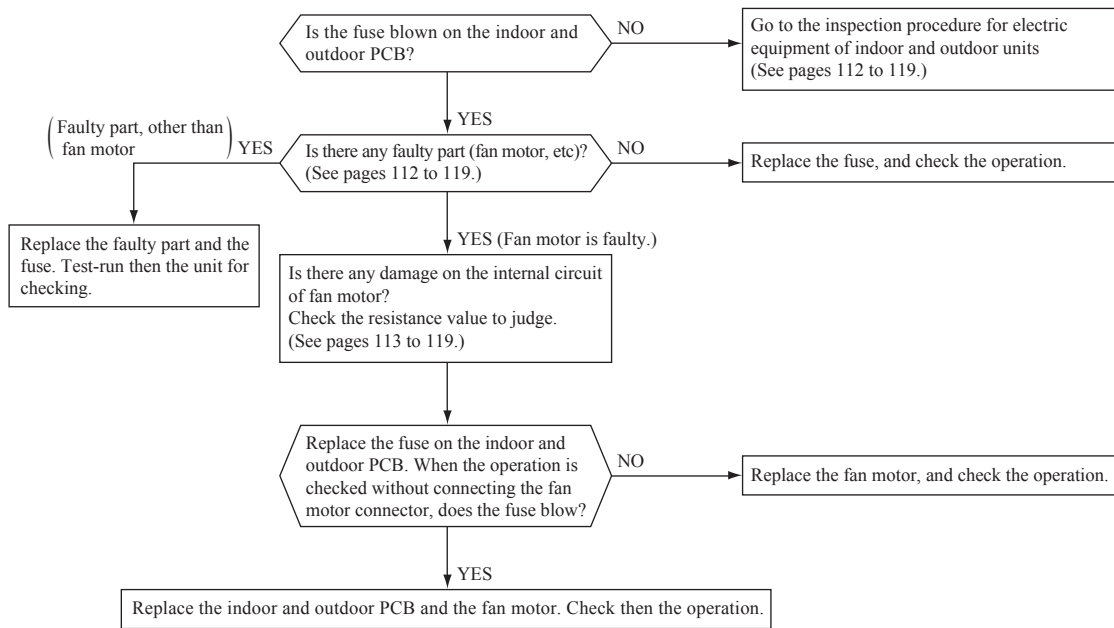


• Models SRK63, 71, 80ZSPR-S



◆ Simplified check method of wireless remote control
 It is normal if the signal transmission section of the wireless remote control emits a whitish light at each transmission on the monitor of digital camera.

(11) Inspection procedure for blown fuse on the indoor and outdoor PCB



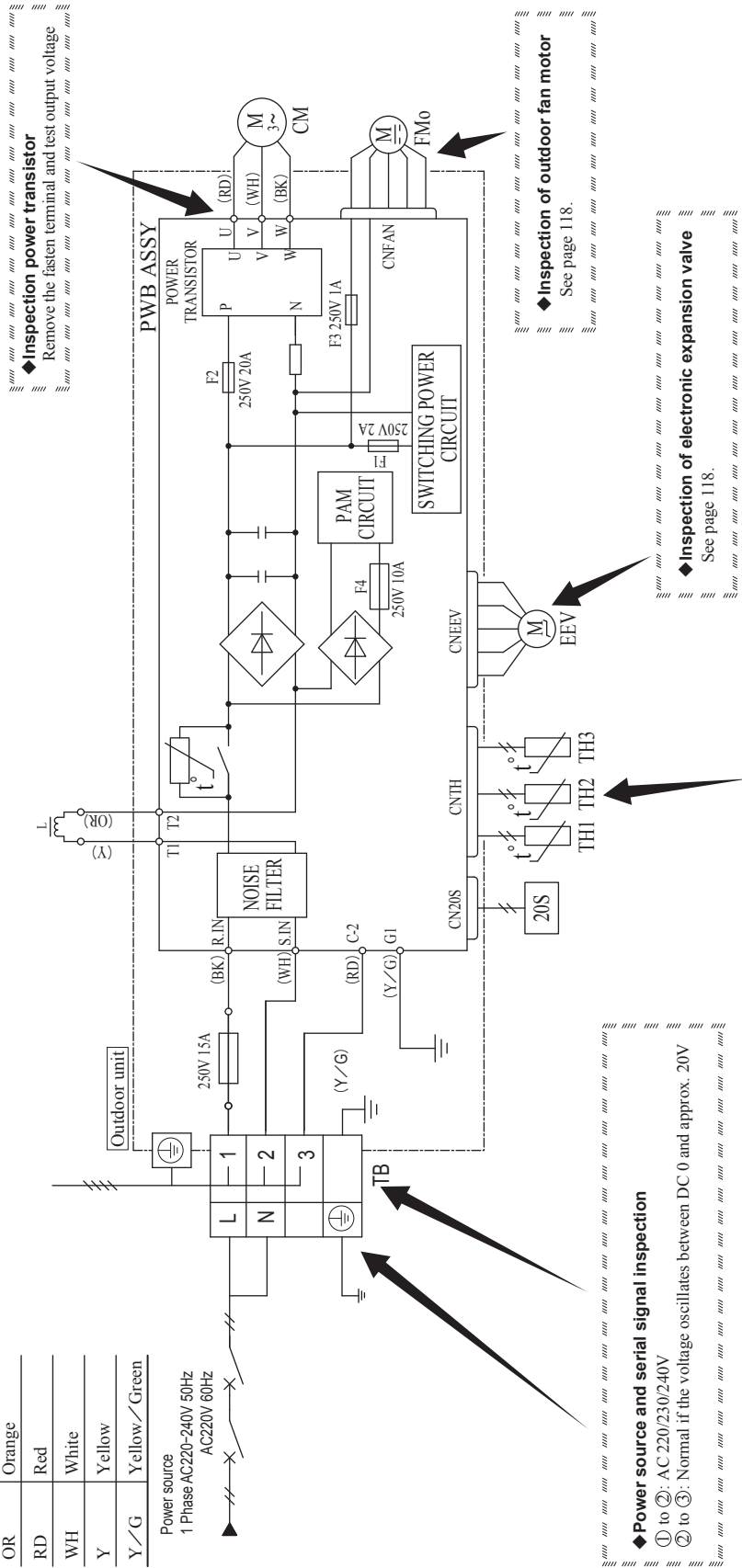
(12) Outdoor unit inspection points
 Models SRK20, 25, 35, 45ZSPR-S

◆ Check point of outdoor unit

⚠ CAUTION – HIGH VOLTAGE
 High voltage is produced in the control box. Don't touch electrical parts in the control box for 5 minutes after the unit is stopped

Color symbol	Color
Mark	Color
BK	Black
OR	Orange
RD	Red
WH	White
Y	Yellow
Y/G	Yellow/Green

Power source
 1 Phase AC220~240V 50Hz
 AC220V 60Hz



◆ Inspection power transistor
 Remove the fasten terminal and test output voltage

◆ Inspection of outdoor fan motor
 See page 118.

◆ Inspection of electronic expansion valve
 See page 118.

◆ Inspection of resistance value of sensor
 Remove the connector and check the resistance value.
 See the section of sensor characteristics on page 107.

◆ Power source and serial signal inspection
 ① to ②: AC 220/230/240V
 ② to ③: Normal if the voltage oscillates between DC 0 and approx. 20V

Models SRK63, 71, 80ZSPR-S

⚠ CAUTION – HIGH VOLTAGE

High voltage is produced in the control box. Don't touch electrical parts in the control box for 5 minutes after the unit is stopped.

Color symbol

Mark	Color
BK	Black
BL	Blue
RD	Red
WH	White
Y	Yellow
Y/G	Yellow / Green

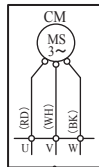
◆ Voltage check in PCB

The normal range is as follows.

Display	Voltage range
① DC280V	DC230V - DC310V
② DC 20V	DC 18V - DC 22V
③ DC 13V	DC 12V - DC 14V
④ DC 15V	DC 14V - DC 16V
⑤ DC 5V	DC 4V - DC 6V
⑥ DC 2.5V	DC 2.3V - DC 2.5V

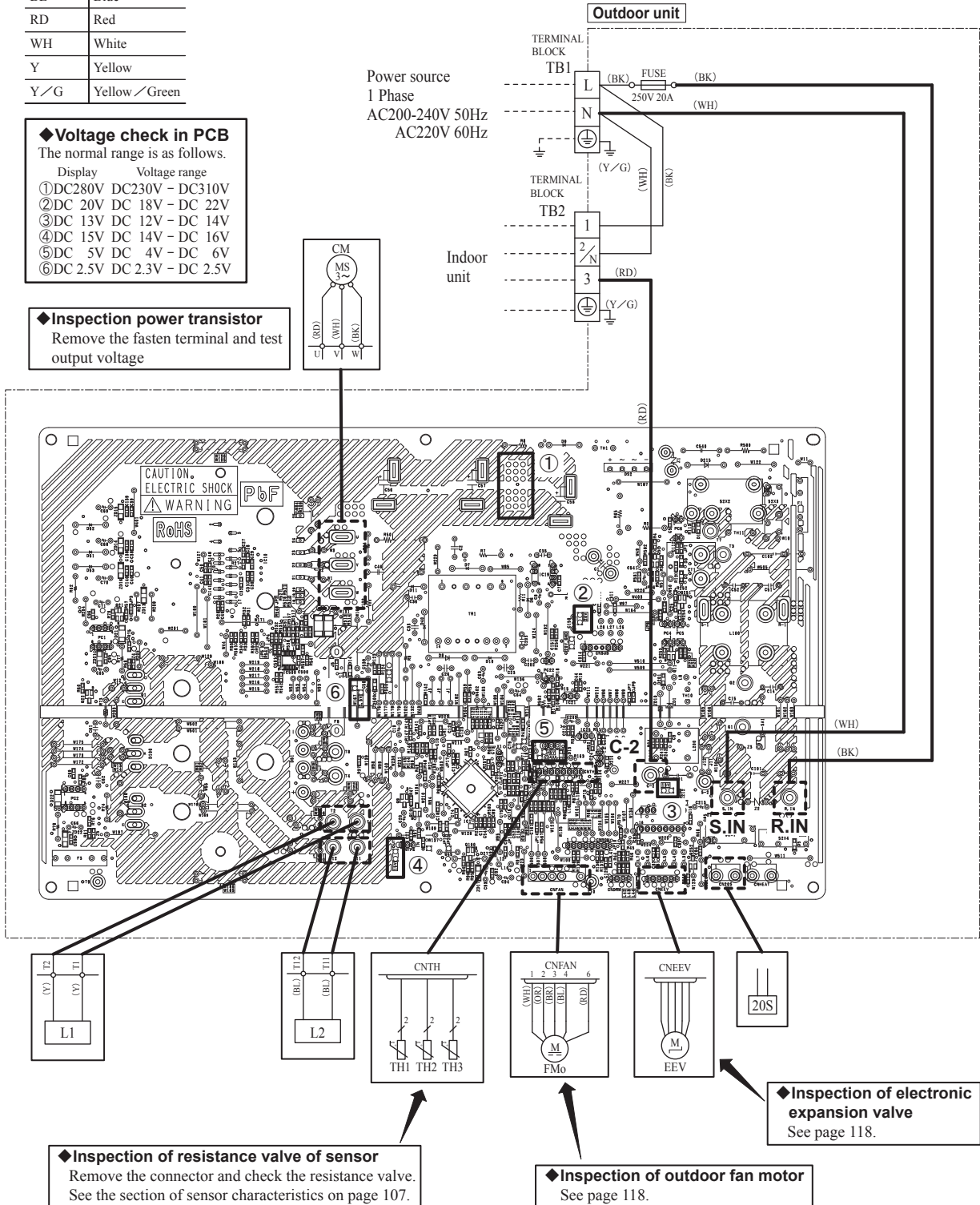
◆ Inspection power transistor

Remove the fasten terminal and test output voltage



◆ Power source and serial signal inspection

- Ⓛ to Ⓝ : AC 220/230/240V
- ① to ②Ⓝ : AC 220/230/240V
- ②Ⓝ to ③ : Normal if the voltage oscillates between DC 0 and approx. 20V



◆ Inspection of resistance valve of sensor
Remove the connector and check the resistance valve. See the section of sensor characteristics on page 107.

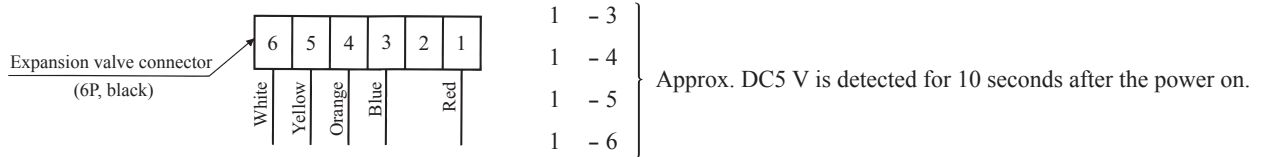
◆ Inspection of outdoor fan motor
See page 118.

◆ Inspection of electronic expansion valve
See page 118.

(a) Inspection of electronic expansion valve

Electronic expansion valve operates for approx. 10 seconds after the power on, in order to determine its aperture. Check the operating sound and voltage during the period of time. (Voltage cannot be checked during operation in which only the aperture change occurs.)

- (i) If it is heard the sound of operating electronic expansion valve, it is almost normal.
- (ii) If the operating sound is not heard, check the output voltage.



- (iii) If voltage is detected, the outdoor PCB is normal.
- (iv) If the expansion valve does not operate (no operating sound) while voltage is detected, the expansion valve is defective.

• Inspection of electronic expansion valve as a separate unit

Measure the resistance between terminals with an analog tester.

Measuring point	Resistance when normal
1-6	46 ± 4Ω (at 20°C)
1-4	
1-3	
1-5	

(b) Outdoor unit fan motor check procedure

- When the outdoor unit fan motor error is detected, diagnose which of the outdoor unit fan motor or outdoor PCB is defective.
- Diagnose this only after confirming that the indoor unit is normal.

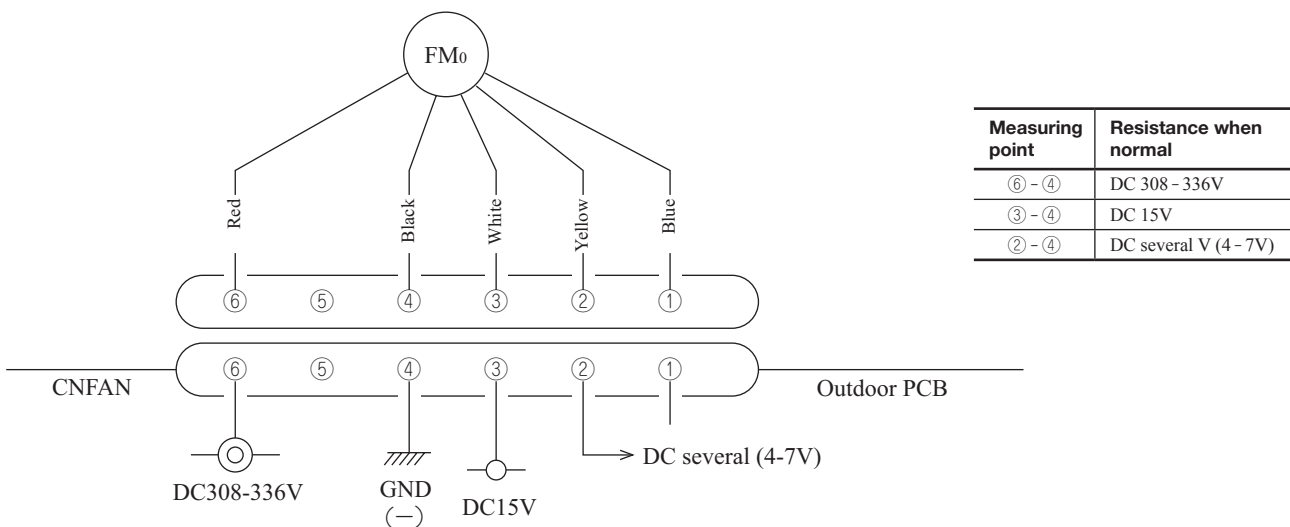
(i) Outdoor PCB output check

- 1) Turn off the power.
- 2) Disconnect the outdoor unit fan motor connector CNFAN.
- 3) When the indoor unit is operated by inserting the power source plug and pressing (ON) the backup switch for more than 5 seconds, if the voltage of pin No. ② in the following figure is output for 30 seconds at 20 seconds after turning “ON” the backup switch, the outdoor PCB is normal but the fan motor is defective.

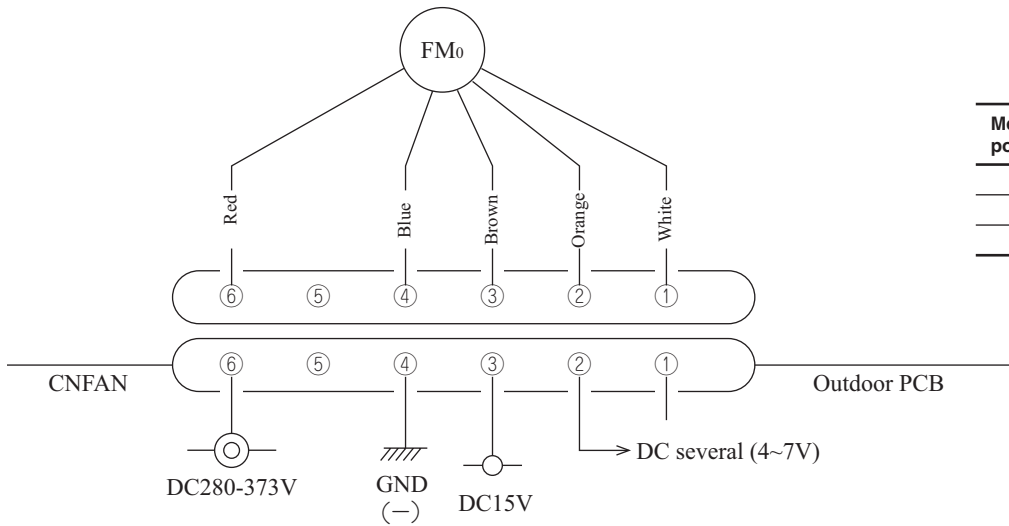
If the voltage is not detected, the outdoor PCB is defective but the fan motor is normal.

Note (1) The voltage is output 3 times repeatedly. If it is not detected, the indoor unit displays the error message.

• Models SRK20, 25, 35, 45ZSPR-S



• Models SRK63, 71, 80ZSPR-S



Measuring point	Voltage range when normal
⑥ - ④	DC 280-373V
③ - ④	DC 15V
② - ④	DC several V (4~7V)

(ii) Fan motor resistance check

Measuring point	Resistance when normal
⑥ - ④ (Red - Blue)	20 MΩ or higher
③ - ④ (White - Blue)	20 kΩ or higher

- Notes (1) Remove the fan motor and measure it without power connected to it.
 (2) If the measured value is below the value when the motor is normal, it means that the fan motor is faulty.



11. OPTION PARTS

PJA012D730

(1) Wired remote control (RC-E5)

Read together with indoor unit's installation manual.


⚠WARNING

- Fasten the wiring to the terminal securely and hold the cable securely so as not to apply unexpected stress on the terminal.
Loose connection or hold will cause abnormal heat generation or fire. 
- Make sure the power source is turned off when electric wiring work.
Otherwise, electric shock, malfunction and improper running may occur. 


⚠CAUTION

- DO NOT install the remote control at the following places in order to avoid malfunction.

(1) Places exposed to direct sunlight	(4) Hot surface or cold surface enough to generate condensation
(2) Places near heat devices	(5) Places exposed to oil mist or steam directly
(3) High humidity places	(6) Uneven surface


- DO NOT leave the remote control without the upper case.

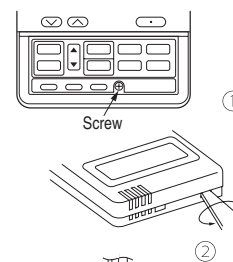
In case the upper case needs to be detached, protect the remote control with a packaging box or bag in order to keep it away from water and dust.



Accessories	Remote control, wood screw (ø3.5×16) 2 pieces
Prepare on site	Remote control cord (2 cores) the insulation thickness in 1mm or more. [In case of embedding cord] Electrical box, M4 screw (2 pieces) [In case of exposing cord] Cord clamp (if needed)

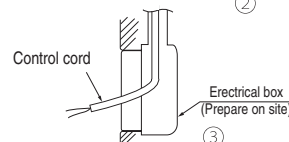
Installation procedure

- ① Open the cover of remote control, and remove the screw under the buttons without fail.
- ② Remove the upper case of remote control.
Insert a flat-blade screwdriver into the dented part of the upper part of the remote control, and wrench slightly.

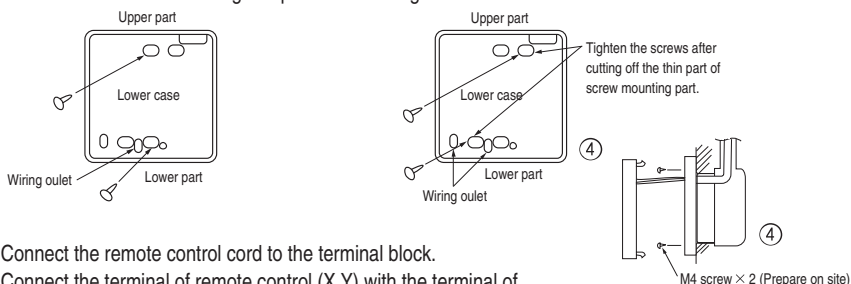


[In case of embedding cord]

- ③ Embed the electrical box and remote control cord beforehand.

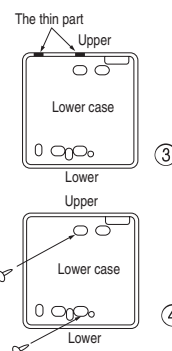


- ④ Prepare two M4 screws (recommended length is 12-16mm) on site, and install the lower case to electrical box. Choose either of the following two positions in fixing it with screws.



- ⑤ Connect the remote control cord to the terminal block.
Connect the terminal of remote control (X,Y) with the terminal of indoor unit (X,Y). (X and Y are no polarity)

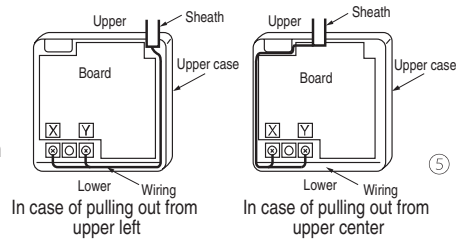
- ⑥ Install the upper case as before so as not to catch up the remote control cord, and tighten with the screws.



[In case of exposing cord]

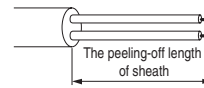
- ③ You can pull out the remote control cord from left upper part or center upper part.
Cut off the upper thin part of remote control lower case with a nipper or knife, and grind burrs with a file etc.
- ④ Install the lower case to the flat wall with attached two wooden screws.

- ⑤ Connect the remote control cord to the terminal block.
 Connect the terminal of remote control (X,Y) with the terminal of indoor unit (X,Y).
 (X and Y are no polarity)
 Wiring route is as shown in the right diagram depending on the pulling out direction.



The wiring inside the remote control case should be within 0.3mm² (recommended) to 0.5mm².
 The sheath should be peeled off inside the remote control case.
 The peeling-off length of each wire is as below.

Pulling out from upper left	Pulling out from upper center
X wiring : 215mm	X wiring : 170mm
Y wiring : 195mm	Y wiring : 190mm



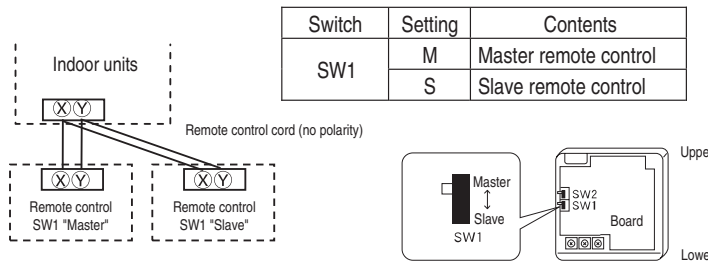
- ⑥ Install the upper case as before so as not to catch up the remote control cord, and tighten with the screws.
 ⑦ In case of exposing cord, fix the cord on the wall with cord clamp so as not to slack.

Installation and wiring of remote control

- ① Wiring of remote control should use 0.3mm² × 2 core wires or cables. (on-site configuration)
 ② Maximum prolongation of remote control wiring is 600 m.
 If the prolongation is over 100m, change to the size below.
 But, wiring in the remote control case should be under 0.5mm². Change the wire size outside of the case according to wire connecting. Waterproof treatment is necessary at the wire connecting section. Be careful about contact failure.
 100 - 200m.....0.5mm² × 2 cores
 Under 300m.....0.75mm² × 2 cores
 Under 400m.....1.25mm² × 2 cores
 Under 600m.....2.0mm² × 2 cores

Master/ slave setting when more than one remote controls are used

A maximum of two remote controls can be connected to one indoor unit (or one group of indoor units.)



Set SW1 to "Slave" for the slave remote control. It was factory set to "Master" for shipment.

Note: The setting "Remote control thermistor enabled" is only selectable with the master remote control in the position where you want to check room temperature.

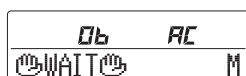
The air-conditioner operation follows the last operation of the remote control regardless of the master/ slave setting of it.

The indication when power source is supplied

When power source is turned on, the following is displayed on the remote control until the communication between the remote control and indoor unit settled.

Master remote control : " WAIT "M
 Slave remote control : " WAIT "S

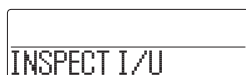
At the same time, a mark or a number will be displayed for two seconds first.
 This is the software's administration number of the remote control, not an error cord.



※ The left mark is only an example. Other marks may appear.

When remote control cannot communicate with the indoor unit for half an hour, the below indication will appear.

Check wiring of the indoor unit and the outdoor unit etc.



The range of temperature setting

When shipped, the range of set temperature differs depending on the operation mode as below.

Heating : 16-30°C (55-86°F)

Except heating (cooling, fan, dehumidifying, automatic) : 18-30°C (62-86°F)

●Upper limit and lower limit of set temperature can be changed with remote control.

Upper limit setting: valid during heating operation. Possible to set in the range of 20 to 30°C (68 to 86°F).

Lower limit setting: valid except heating (automatic, cooling, fan, dehumidifying) Possible to set in the range of 18 to 26°C (62 to 79°F).

When you set upper and lower limit by this function, control as below.

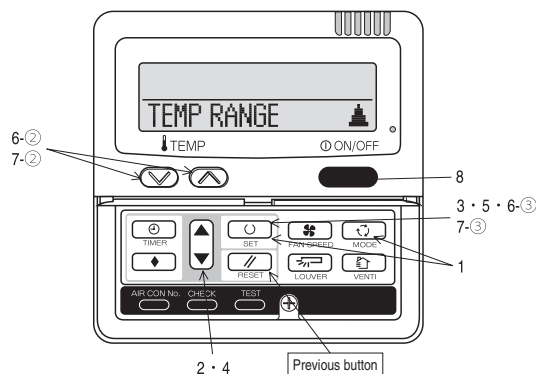
1. When ② TEMP RANGE SET, remote control function of function setting mode is "INDN CHANGE" (factory setting),
 - 【 If upper limit value is set 】
During heating, you cannot set the value exceeding the upper limit.
 - 【 If lower limit value is set 】
During operation mode except heating, you cannot set the value below the lower limit.
2. When ② TEMP RANGE SET, remote control function of function setting mode is "NO INDN CHANGE"
 - 【 If upper limit value is set 】
During heating, even if the value exceeding the upper limit is set, upper limit value will be sent to the indoor unit. But, the indication is the same as the temperature set.
 - 【 If lower limit value is set 】
During except heating, even if the value lower than the lower limit is set, lower limit value will be sent to the indoor unit. But, the indication is the same as the temperature set.

●How to set upper and lower limit value

1. Stop the air-conditioner, and press (SET) and (MODE) button at the same time for over three seconds .
The indication changes to "FUNCTION SET ▼".
2. Press button once, and change to the "TEMP RANGE ▲ " indication.
3. Press (SET) button, and enter the temperature range setting mode.
4. Select "UPPER LIMIT ▼" or "LOWER LIMIT ▲" by using button.
5. Press (SET) button to fix.
6. When "UPPER LIMIT ▼" is selected (valid during heating)
 - ① Indication: " ∇ ∨ ∧ SET UP" → "UPPER 30°C ∇"
 - ② Select the upper limit value with temperature setting button . Indication example: "UPPER 26°C ∇ ∧" (blinking)
 - ③ Press (SET) button to fix. Indication example: "UPPER 26°C" (Displayed for two seconds)
After the fixed upper limit value displayed for two seconds, the indication will return to "UPPER LIMIT ▼".
7. When "LOWER LIMIT ▲" is selected (valid during cooling, dry, fan, automatic)
 - ① Indication: " ∇ ∨ ∧ SET UP" → "LOWER 18°C ∧"
 - ② Select the lower limit value with temperature setting button . Indication example: "LOWER 24°C ∇ ∧" (blinking)
 - ③ Press (SET) button to fix. Indication for example: "LOWER 24°C" (Displayed for two seconds)
After the fixed lower limit value displayed for two seconds, the indication will return to "LOWER LIMIT ▼".
8. Press button to finish.

• It is possible to finish by pressing button on the way, but unfinished change of setting is unavailable.

• During setting, if you press (RESET) button, you return to the previous screen.



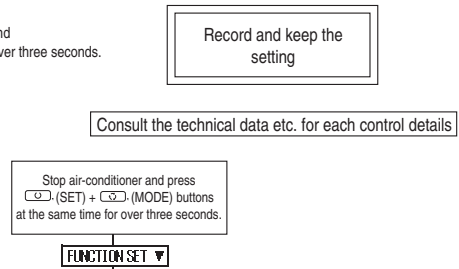
The functional setting

- The initial function setting for typical using is performed automatically by the indoor unit connected, when remote control and indoor unit are connected.
- As long as they are used in a typical manner, there will be no need to change the initial settings.
- If you would like to change the initial setting marked "○", set your desired setting as for the selected item.
- The procedure of functional setting is shown as the following diagram.

[Flow of function setting]

Start : Stop air-conditioner and press "○" (SET) and "◀▶" (MODE) buttons at the same time for over three seconds.
 Finalize : Press "○" (SET) button.
 Reset : Press "↺" (RESET) button.
 Select : Press "▲▼" button.
 End : Press "ON/OFF" button.

It is possible to finish above setting on the way, and unfinished change of setting is unavailable.
 "○": Initial settings
 "※": Automatic criterion



Function	setting	
01 ESP SET	ESP VALID	○ Validate setting of ESP: External Static Pressure
	ESP INVALID	○ Invalidate setting of ESP
02 AUTO RUN SET	AUTO RUN ON	※ Automatic operation is impossible
	AUTO RUN OFF	※
03 TEMP SW	VALID	○ Temperature setting button is not working
	INVALID	○
04 MODE SW	VALID	○ Mode button is not working
	INVALID	○
05 ON/OFF SW	VALID	○ On/Off button is not working
	INVALID	○
06 FAN SPEED SW	VALID	※ Fan speed button is not working
	INVALID	※
07 LOUVER SW	VALID	※ Louver button is not working
	INVALID	※
08 TIMER SW	VALID	○ Timer button is not working
	INVALID	○
09 SENSOR SET	SENSOR OFF	○ Remote thermistor is not working.
	SENSOR ON	○ Remote thermistor is working.
	SENSOR +3.0℃	○ Remote thermistor is working, and to be set for producing +3.0℃ increase in temperature.
	SENSOR +2.0℃	○ Remote thermistor is working, and to be set for producing +2.0℃ increase in temperature.
	SENSOR +1.0℃	○ Remote thermistor is working, and to be set for producing +1.0℃ increase in temperature.
	SENSOR -1.0℃	○ Remote thermistor is working, and to be set for producing -1.0℃ increase in temperature.
	SENSOR -2.0℃	○ Remote thermistor is working, and to be set for producing -2.0℃ increase in temperature.
	SENSOR -3.0℃	○ Remote thermistor is working, and to be set for producing -3.0℃ increase in temperature.
10 AUTO RESTART	INVALID	○
	VALID	○
* 11 VENT LINK SET	NO VENT	○ In case of Single split series, by connecting ventilation device to CNT of the indoor printed circuit board (in case of VRF series, by connecting it to CND of the indoor printed circuit board), the operation of ventilation device is linked with the operation of indoor unit.
	VENT LINK	
	NO VENT LINK	○ In case of Single split series, by connecting ventilation device to CNT of the indoor printed circuit board (in case of VRF series, by connecting it to CND of the indoor printed circuit board), you can operate /stop the ventilation device independently by (VENT) button.
12 TEMP RANGE SET	INDIC CHANGE	○ If you change the range of set temperature, the indication of set temperature will vary following the control.
	NO INDIC CHANGE	○ If you change the range of set temperature, the indication of set temperature will not vary following the control, and keep the set temperature.
13 L/U FAN	HI-MID-LO	※ Airflow of fan becomes of or the four speed of .
	HI-LO	※ Airflow of fan becomes of .
	HI-MID	※ Airflow of fan becomes of .
	1 FAN SPEED	※ Airflow of fan is fixed at one speed.
14 POSITION	POSITION STOP	○ If you change the remote control function "14 POSITION" you must change the indoor function "04 POSITION" accordingly.
	FREE STOP	○ You can select the louver stop position in the four. The louver can stop at any position.
15 MODEL TYPE	HEAT PUMP	※
	COOLING ONLY	※
16 EXTERNAL CONTROL SET	INDIVIDUAL	○ If you input signal into CNT of the indoor printed circuit board from external, the indoor unit will be operated independently according to the input from external.
	FOR ALL UNITS	○ If you input into CNT of the indoor printed circuit board from external, all units which connect to the same remote control are operated according to the input from external.
17 ROOM TEMP INDICATION SET	INDICATION OFF	○ In normal working indication, indoor unit temperature is indicated instead of airflow.
	INDICATION ON	○ (Only the master remote control can be indicated.)
18 INDICATION	INDICATION ON	○ Heating preparation indication should not be indicated.
	INDICATION OFF	○
19 °C/°F SET	°C	○ Temperature indication is by degree C
	°F	○ Temperature indication is by degree F

Note (1)*The mark cannot use SRK series.

ON/OFF button (finished)

Note 1: The initial setting marked "※" is decided by connected indoor and outdoor unit, and is automatically defined as following table.

Function No.	Item	Default	Model
Remote control function02	AUTO RUN SET	AUTO RUN ON	"Auto-RUN" mode selectable indoor unit.
		AUTO RUN OFF	Indoor unit without "Auto-RUN" mode
Remote control function06	FAN SPEED SW	VALID	Indoor unit with two or three step of air flow setting
		INVALID	Indoor unit with only one of air flow setting
Remote control function07	LOUVER SW	VALID	Indoor unit with automatically swing louver
		INVALID	Indoor unit without automatically swing louver
Remote control function13	I/U FAN	HI-MID-LO	Indoor unit with three step of air flow setting
		HI-LO	Indoor unit with two step of air flow setting
		HI-MID	
		1 FAN SPEED	Indoor unit with only one of air flow setting
Remote control function15	MODEL TYPE	HEAT PUMP	Heat pump unit
		COOLING ONLY	Exclusive cooling unit

Note 3: As for plural indoor unit, set indoor functions to each master and slave indoor unit.

But only master indoor unit is received the setting change of indoor unit function "05 EXTERNAL INPUT" and "06 PERMISSION / PROHIBITION".

From previous page

Indoor unit No. are indicated only when (Indoor unit function) I/UFUNCTION ▲ plural indoor units are connected.

To set other indoor unit, press [AIRCON NO.] button, which allows you to go back to the indoor unit selection screen (for example: I/U 000 ▲).

Function	setting	
*02 FAN SPEED SET	STANDARD	※
	HIGH SPEED 1	※
	HIGH SPEED 2	
*03 FILTER SIGN SET	INDICATION OFF	
	TYPE 1	○
	TYPE 2	
	TYPE 3	
	TYPE 4	
04 POSITION	4 POSITION STOP	○
	FREE STOP	
05 EXTERNAL INPUT	LEVEL INPUT	○
	PULSE INPUT	
06 PERMISSION/PROHIBITION	INVALID	○
	VALID	
*07 EMERGENCY STOP	INVALID	○
	VALID	
*08 SP OFFSET	OFFSET +3.0℃	
	OFFSET +2.0℃	
	OFFSET +1.0℃	
	NO OFFSET	○
*09 RETURN AIR TEMP	OFFSET +2.0℃	
	OFFSET +1.5℃	
	OFFSET +1.0℃	
	NO OFFSET	○
*10 FAN CONTROL	OFFSET -1.0℃	
	OFFSET -1.5℃	
	OFFSET -2.0℃	
	NO OFFSET	○
	LOW FAN SPEED	○
	SET FAN SPEED	
	INTERMITTENCE	
	FAN OFF	
*11 FROST PREVENTION TEMP	TEMP HIGH	
	TEMP LOW	○
*12 FROST PREVENTION CONTROL	FAN CONTROL ON	○
	FAN CONTROL OFF	
*13 DRAIN PUMP LINK	○	○
	○ AND ○	
	○ AND ○ AND ○	
	○ AND ○	
*14 FAN REMAINING	NO REMAINING	○
	0.5 HOUR	
	1 HOUR	
	6 HOUR	
*15 FAN REMAINING	NO REMAINING	○
	0.5 HOUR	
	2 HOUR	
	6 HOUR	
*16 FAN INTERMITTENCE	NO REMAINING	○
	20min OFF swi ON	
	5min OFF swi ON	
*17 PRESSURE CONTROL	STANDARD	※
	TYPE1	※

Note2: Fan setting of "HIGH SPEED"

Fan tap	Indoor unit air flow setting				
	STANDARD	UH - Hi - Me - Lo	Hi - Me - Lo	Hi - Lo	Hi - Me
FAN SPEED SET	HIGH SPEED1, 2	UH - UH - Hi - Me	UH - Hi - Me	UH - Me	UH - Hi

Initial function setting of some indoor unit is "HIGH SPEED". 4 speed is not able to be set with wireless remote control.

The filter sign is indicated after running for 180 hours.
The filter sign is indicated after running for 600 hours.
The filter sign is indicated after running for 1000 hours.
The filter sign is indicated after running for 1000 hours, then the indoor unit will be stopped by compulsion after 24 hours.

If you change the indoor function "04 POSITION", you must change the remote control function "14 POSITION" accordingly. You can select the louver stop position in the four. The louver can stop at any position.

Permission/prohibition control of operation will be valid.

With the VRF series, it is used to stop all indoor units connected with the same outdoor unit immediately. When stop signal is inputted from remote on-off terminal "CNT-6", all indoor units are stopped immediately.

To be reset for producing +3.0℃ increase in temperature during heating.
To be reset for producing +2.0℃ increase in temperature during heating.
To be reset for producing +1.0℃ increase in temperature during heating.

To be reset producing +2.0℃ increase in return air temperature of indoor unit.
To be reset producing +1.5℃ increase in return air temperature of indoor unit.
To be reset producing +1.0℃ increase in return air temperature of indoor unit.

To be reset producing -1.0℃ increase in return air temperature of indoor unit.
To be reset producing -1.5℃ increase in return air temperature of indoor unit.
To be reset producing -2.0℃ increase in return air temperature of indoor unit.

When heating thermostat is OFF, fan speed is low speed.
When heating thermostat is OFF, fan speed is set speed.

When heating thermostat is OFF, fan speed is operated intermittently.
When heating thermostat is OFF, the fan is stopped.
When the remote thermostat is working, "FAN OFF" is set automatically.
Do not set "FAN OFF" when the indoor unit's thermostat is working.

Change of indoor heat exchanger temperature to start frost prevention control.

Working only with the Single split series.
To control frost prevention, the indoor fan tap is raised.

Drain pump is run during cooling and dry.
Drain pump is run during cooling, dry and heating.
Drain pump is run during cooling, dry, heating and fan.
Drain pump is run during cooling, dry and fan.

After cooling is stopped, the fan does not perform extra operation.
After cooling is stopped, the fan perform extra operation for half an hour.
After cooling is stopped, the fan perform extra operation for an hour.
After cooling is stopped, the fan perform extra operation for six hours.

After heating is stopped or heating thermostat is OFF, the fan does not perform extra operation.
After heating is stopped or heating thermostat is OFF, the fan perform extra operation for half an hour.
After heating is stopped or heating thermostat is OFF, the fan perform extra operation for two hours.
After heating is stopped or heating thermostat is OFF, the fan perform extra operation for six hours.

During heating is stopped or heating thermostat is OFF, the fan perform intermittent operation for five minutes with low fan speed after twenty minutes' OFF.
During heating is stopped or heating thermostat is OFF, the fan perform intermittent operation for five minutes with low fan speed after five minutes' OFF.

From previous page

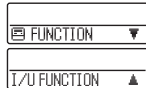
Connected "OA Processing" type indoor unit, and is automatically defined.

How to set function

1. Stop air-conditioner and press (SET) (MODE) buttons at the same time for over three seconds, and the "FUNCTION SET ▼" will be displayed.



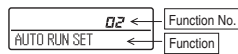
2. Press (SET) button.
3. Make sure which do you want to set, "FUNCTION ▼" (remote control function) or "I/U FUNCTION ▲" (indoor unit function).
4. Press or button.
Select "FUNCTION ▼" (remote control function) or "I/U FUNCTION ▲" (indoor unit function).



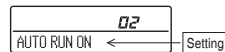
5. Press (SET) button.

6. 【On the occasion of remote control function selection】

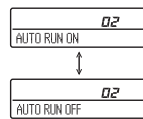
- ① "DATA LOADING" (Indication with blinking)
↓
Display is changed to "01 ESP SET".
- ② Press or button.
"No. and function" are indicated by turns on the remote control function table, then you can select from them.
(For example)



- ③ Press (SET) button.
The current setting of selected function is indicated.
(for example) "AUTO RUN ON" ← If "02 AUTO RUN SET" is selected



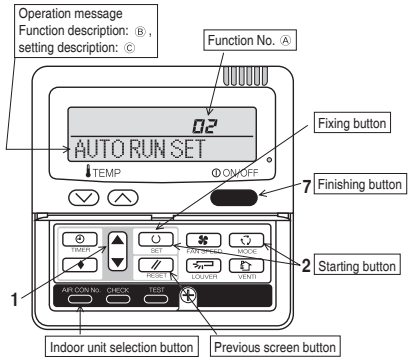
- ④ Press or button.
Select the setting.



- ⑤ Press (SET) button.
"SET COMPLETE" will be indicated, and the setting will be completed.
Then after "No. and function" indication returns, set as the same procedure if you want to set continuously, and if to finish, go to 7.



7. Press (ON/OFF) button.
Setting is finished.

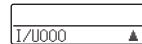


【On the occasion of indoor unit function selection】

- ① "DATA LOADING" (Blinking for 2 to 23 seconds to read the data)
↓
Indication is changed to "02 FAN SPEED SET".
Go to ②.

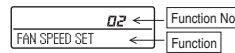
[Note]

- (1) If plural indoor units are connected to a remote control, the indication is "I/U 000" (blinking) ← The lowest number of the indoor unit connected is indicated.

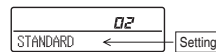


- (2) Press or button.
Select the number of the indoor unit you are to set
If you select "ALL UNIT ▼", you can set the same setting with all unites.
- (3) Press (SET) button.

- ② Press or button.
"No. and function" are indicated by turns on the indoor unit function table, then you can select from them.
(For example)



- ③ Press (SET) button.
The current setting of selected function is indicated.
(For example) "STANDARD" ← If "02 FAN SPEED SET" is selected.



- ④ Press or button.
Select the setting.

- ⑤ Press (SET) button.
"SET COMPLETE" will be indicated, and the setting will be completed.
Then after "No. and function" indication returns, set as the same procedure if you want to set continuously, and if to finish, go to 7.



※ When plural indoor units are connected to a remote control, press the (AIRCON No.) button, which allows you to go back to the indoor unit selection screen. (example "I/U 000 ▲")

- It is possible to finish by pressing (ON/OFF) button on the way, but unfinished change of setting is unavailable.
- During setting, if you press (RESET) button, you return to the previous screen.
- Setting is memorized in the control and it is saved independently of power failure.

【How to check the current setting】

When you select from "No. and function" and press set button by the previous operation, the "Setting" displayed first is the current setting.
(But, if you select "ALL UNIT ▼", the setting of the lowest number indoor unit is displayed.)

(2) Interface kit (SC-BIKN-E)

RKZ012A088B

Accessories included in package

Be sure to check all the accessories included in package.

No.	Part name	Quantity
①	Indoor unit's connection cable (cable length: 1.8m)	1
②	Wood screws (for mounting the interface: ø4x 25)	2
③	Tapping screws (for the cable clamp and the interface mounting bracket)	3
④	Interface mounting bracket	1
⑤	Cable clamp (for the indoor unit's connection cable)	1
⑥*	CNT terminal connection cable (total cable length: 0.5m)	1

* SC-BIKN-EA only

Safety precautions

Before use, please read these Safety precautions thoroughly before installation.

- All the cautionary items mentioned below are important safety related items to be taken into consideration, so be sure to observe them at all times.

Warning Incorrect installation could lead to serious consequences such as death, major injury or environmental destruction.

- Symbols used in these precautions

! Always go along these instruction.

- After completed installation, carry out trial operation to confirm no anomaly, and ask the user to keep this installation manual in a good place for future reference.

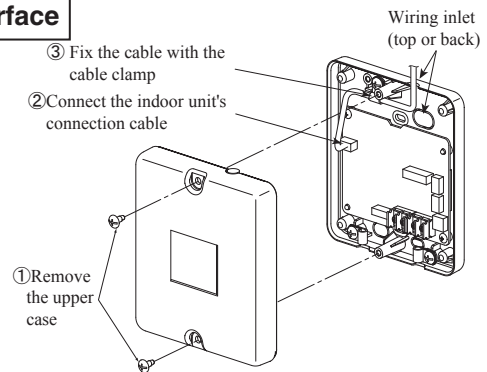
Warnings



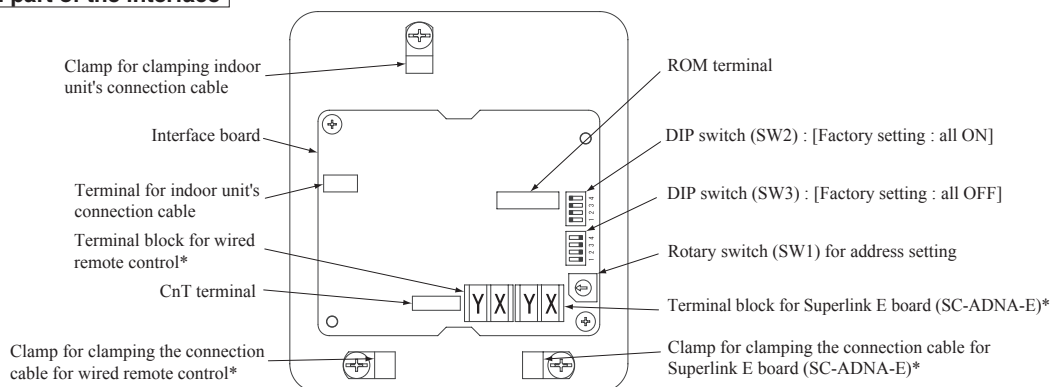
- **Installation must be carried out by a qualified installer.**
If you install it by yourself, it may cause an electric shock, fire and personal injury, as a result of a system malfunction.
- **Install it in full accordance with the instruction manual.**
Incorrect installation may cause an electric shock, fire and personal injury.
- **Electrical work must be carried out by a qualified electrician in accordance with the technical standard for electrical equipment, the indoor wiring standard and this instruction manual.**
Incorrect installation may cause an electric shock, fire and personal injury.
- **Use the specific cables for wiring. And connect all the cables to terminals or connectors securely and clamp them with cable clamps in order for external forces not to be transmitted to the terminals directly.**
Incomplete connection may cause malfunction, and lead to heat generation and fire.
- **Use the original accessories and specified components for installation.**
If the parts other than those prescribed by us are used, it may cause an electric shock, fire and personal injury.

Connecting the indoor unit's connection cable to the interface

- ① Remove the upper case of the interface.
 - Remove 2 screws from the interface casing before removal of upper casing.
- ② Connect the indoor unit's connection cable to the interface.
 - Connect the connector of the indoor unit connection cable to the connector on the interface's circuit board.
- ③ Fix the indoor unit's connection cable with the cable clamp.
 - Cable can be brought in from the top or from the back.
 - Cut out the punch-outs for the connection cables running into the casing with cutter.
- ④ Connect the indoor unit's connection cable to the indoor control PCB.
 - Connect the indoor unit's connection cable to the indoor control PCB securely.
 - Clamp the connection cable to the indoor control box securely with the cable clamp provided as an accessory.
 - Regarding the cable connection to the indoor unit, refer to the instruction manual for indoor unit.



Name of each part of the interface



*Either the connection cables of Superlink E board (SC-ADNA-E) or of wired remote control is connectable.

Switch	Setting	Function	Switch	Setting	Function
SW2-1	ON**	CnT level input	SW2-3	ON**	External input (CnT input)
	OFF	CnT Pulse input		OFF	Operation permission/prohibition (CnT input)
SW2-2	ON**	Wired remote control : Enable	SW2-4	ON**	Annual cooling : Enable***
	OFF	Wired remote control : Disable		OFF	Annual cooling : Disable***

** Factory setting

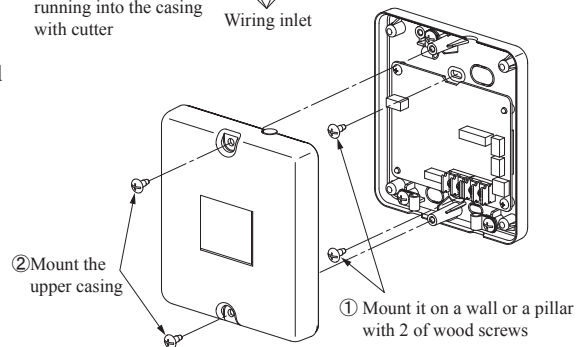
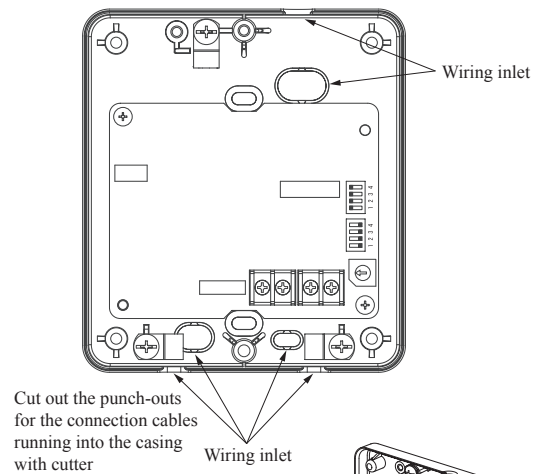
*** Indoor fan control at low outdoor air temperature in cooling

Installation of the interface

- Install the interface within the range of the connection cable length from the indoor unit. (approximately 1.8m)
- Be sure not to extend the connection cable on site. If the connection cable is extended, malfunction may occur.
- Fix the interface on the wall, pillar or the like.
- DO NOT install the interface and wired remote control at the following places.
 - Places exposed to direct sunlight
 - Places near heating devices
 - High humidity places
 - Surfaces where are enough hot or cold to generate condensation
 - Places exposed to oil mist or steam directly
 - Uneven surface

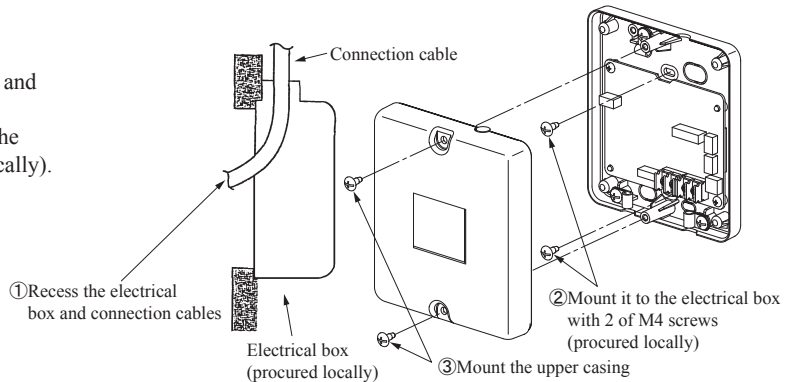
Mounting the interface directly on a wall

- ① Mount the lower casing of the interface on a flat surface with wood screws provided as standard accessory.
- ② Mount the upper casing.



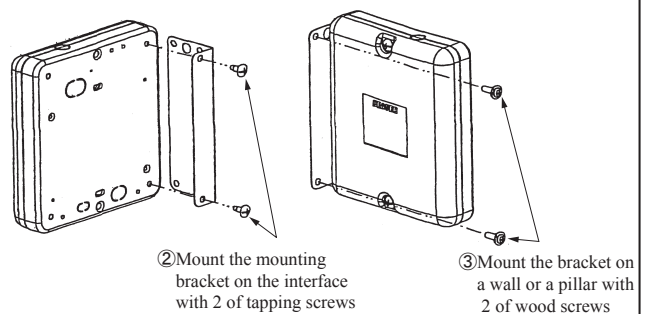
Recessing the interface in the wall

- ① Recess the electrical box (procured locally) and connection cables in the wall.
- ② Mount the lower casing of the interface to the electrical box with M4 screws (procured locally).
- ③ Mount the upper casing.



Mounting the interface with the mounting bracket

- ① Mount the mounting bracket to the interface with tapping screws provided as standard accessory.
- ② Mount the mounting bracket on wall or the like with wood screws provided as standard accessory.
- ③ Mount the mounting bracket to a wall surface, etc. using the wood screws provided.



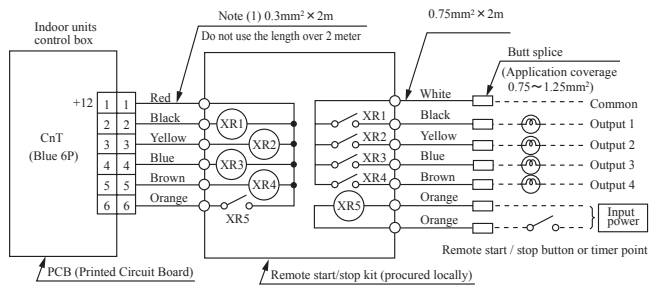
Installation check items

- Are the connection cables connected securely to the terminal blocks and connectors?
- Are the thickness and length of the connection cables conformed with the standard?

Functions of CnT connector

It is available to operate the air-conditioning unit and to monitor the operation status with the external control unit (remote display) by sending the input/output signal through CnT connector on the indoor control PCB.

- ① Connect a external remote control unit (procured locally) to CnT terminal.
- ② In case of the pulse input, switch OFF the DIP switch SW2-1 on the interface PCB.
- ③ When setting operation permission/prohibition mode, switch OFF the DIP switch SW2-3 on the interface PCB.



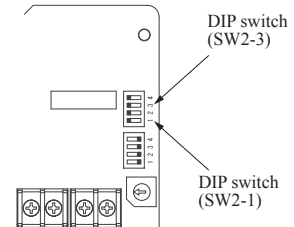
Input/Output	Function	Output signal		Content
		Relay	ON/OFF	
Output 1	Operation output	XR1	ON	During air-conditioner operation
Output 2	Heating output	XR2	ON	During heating operation
Output 3	Compressor operation output	XR3	ON	During compressor running
Output 4	Malfunction output	XR4	ON	During anomalous stop

- XR1-4 are for the DC 12V relay
- XR5 is a DC 12/24V or AC 220-240V relay
- CnT connector (local) maker, model

Connector	Molex	5264-06
Terminals	Molex	5263T

Input/Output	Function	SW2-1		SW2-3		Air-conditioner	Operation by remote control			
		Setting		Setting						
		Level/Pulse	XR5	Level/Pulse	XR5					
Input	External control input	ON*	Level input	ON*	Level	OFF→ON	External input	ON	Allowed	
				ON→OFF	Level	Operation permission	OFF			
				ON→OFF	Level	Operation prohibition	OFF			
		OFF	Pulse input	ON*	Pulse	OFF→ON	External input	OFF→ON	ON→OFF	Allowed
				OFF	Level	OFF→ON	Operation permission	ON		
				OFF	Level	ON→OFF	Operation prohibition	OFF		

* Factory setting



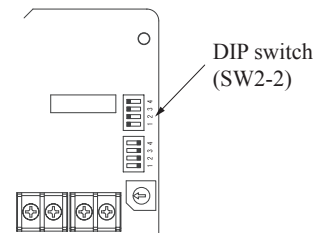
Connection of Superlink E board

Regarding the connection of Superlink E board, refer to the instruction manual of Superlink E board.

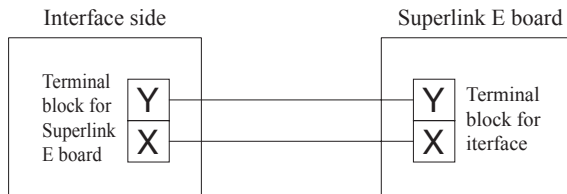
For electrical work, power source for all of units in the Superlink system must be turned OFF.

- ① Switch ON the DIP switch SW2-2 (Factory setting: ON) on the interface PCB.

Caution: Wireless remote control attached to the indoor unit can be used in parallel, after connecting the wired remote control. However, some of functions other than the basic functions such as RUN/STOP, Temperature Setting, etc. may not work properly and may have a mismatch between the display and the actual behavior.



- ② Wiring connection between the interface and the Superlink E board.



No.	Names of recommended signal wires
1	Shielded wire
2	Vinyl cabtyre round cord
3	Vinyl cabtyre round cable
4	Vinyl insulated wire/vinyl sheathed cable for control

Within 200 m 0.5 mm² × 2 cores
 Within 300 m 0.75 mm² × 2 cores
 Within 400 m 1.25 mm² × 2 cores
 Within 600 m 2.0 mm² × 2 cores

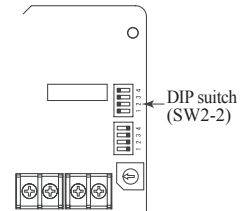
- ③ Clamp the connection cables with cable clamps.

Connection of wired remote control

Regarding the connection of wired remote control, refer to the instruction manual of wired remote control.

- ① Switch ON the DIP switch SW2-2 (Factory setting : ON) on the interface PCB.

Caution: Wireless remote control attached to the indoor unit can be used in parallel, after connecting the wired remote control. However, some of functions other than the basic functions such as RUN/STOP, Temperature Setting, etc. may not work properly and may have a mismatch between the display and the actual behavior.



- ② Wiring connection between the interface and the wired remote control.

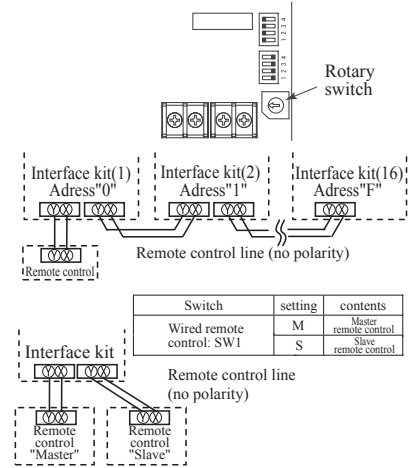
Installation and wiring of wired remote control

- Install the wired remote control with reference to the attached instruction manual of wired remote control.
 - 0.3mm² × 2-core cable should be used for the wiring of wired remote control.
 - Maximum length of wiring is 600m.
If the length of wiring exceeds 100m, change the size of cable as mentioned below.
100m-200m: 0.5mm² × 2-core, 300m or less: 0.75mm² × 2-core, 400m or less: 1.25mm² × 2-core, 600m or less: 2.0mm² × 2-core
However, cable size connecting to the terminal of wired remote control should not exceed 0.5mm². Accordingly if the size of connection cable exceeds 0.5mm², be sure to downsize it to 0.5mm² at the nearest section of the wired remote control and waterproof treatment should be done at the connecting section in order to avoid contact failure.
 - Don't use the multi-core cable to avoid malfunction.
 - Keep the wiring of wired remote control away from grounding (Don't touch it to any metal frame of building, etc.).
 - Connect the connection cables to the terminal blocks of the wired remote control and the interface securely (no polarity).
- ③ Clamp the connection cables with cable clamps.

Control of multiple units by a single wired remote control

Multiple units (up to 16) can be controlled by a single wired remote control. In this case, all units connected with a single wired remote control will operate under the same mode and same setting temperature.

- ① Connect all the interface with 2-core cables of wired remote control line.
- ② Set the address of indoor unit for remote control communication from "0" to "F" with the rotary switch SW1 on the interface PCB.
- ③ After turning the power ON, the address of indoor unit can be displayed by pressing [AIR CON No.] button on the wired remote control.
Make sure all indoor units connected are displayed in order by pressing Δ or ∇ button.



Master/Slave setting wired when 2 of wired remote control are used

Maximum two wired remote control can be connected to one indoor unit (or one group of indoor units)

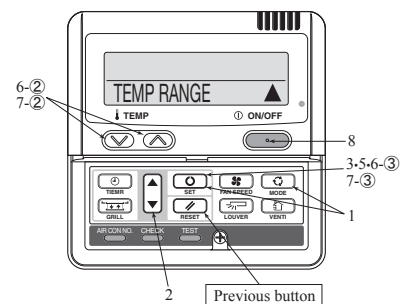
- ① Set the DIP switch SW1 on the wired remote control to "Slave" for the slave remote control. (Factory setting : Master)
○ Caution : Remote control sensor is invalid.

- When using the wireless remote control in parallel with the wired remote control; Since temperature setting range of wired remote control is different from that of wireless remote control, please adjust the setting range of wired remote control to be the same setting range of wireless remote control by following procedure. (The set temperature may not be displayed correctly on the wireless remote control, unless change of temperature setting range is done.) Changing procedure of temperature setting range is as follows.

How to set upper and lower limit of temperature sting range

1. Stop the air-conditioner, and press \square (SET) and \square (MODE) button at the same time for 3 seconds or more.
The indication changes to "FUNCTION SET \blacktriangledown "
2. Press \blacktriangledown button once, and change to the "TEMP RANGE \blacktriangle " indication.
3. Press \square (SET) button, and enter the temperature range setting mode.
4. Confirm that the "Upper limit \blacktriangledown " is shown on the display.
5. Press \square (SET) button to fix.
6. ① Indication: " \blacktriangledown ∇ \wedge SET UP" \rightarrow "UPPER 28 $^{\circ}$ C ∇ \wedge "
② Select the upper limit value 30 $^{\circ}$ C with temperature setting button \square . "UPPER 30 $^{\circ}$ C ∇ " (blinking)
③ Press \square (SET) button to fix. "UPPER 30 $^{\circ}$ C" (Displayed for two seconds)
After the fixed upper limit value displayed for two seconds, the indication will return to "UPPER LIMIT \blacktriangledown ".
7. Press \blacktriangledown button once, "LOWER LIMIT \blacktriangle " is selected, press \square (SET) button to fix.
① Indication: " \blacktriangledown ∇ \wedge SET UP" \rightarrow "LOWER 20 $^{\circ}$ C ∇ \wedge "
② Select the lower limit value 18 $^{\circ}$ C with temperature setting button \square . "LOWER 18 $^{\circ}$ C \wedge " (blinking)
③ Press \square (SET) button to fix. "LOWER 18 $^{\circ}$ C" (Displayed for two seconds)
After the fixed lower limit value displayed for two seconds, the indication will return to "LOWER LIMIT \blacktriangledown ".
8. Press [ON/OFF] button to finish.

Mode	Temperature setting range
Cooling, Heating, Dry, Auto	18-30 $^{\circ}$ C



- It is possible to quit in the middle by pressing [ON/OFF] button, but the change of setting is incomplete.
- During setting, if pressing \square (RESET) button, it returns to the previous screen.

(3) Superlink E board (SC-ADNA-E)

PJZ012D029F

- Read and understand the instructions completely before starting installation.
- Refer to the instructions for both indoor and outdoor units.

Safety precautions

- Carefully read "Safety precautions" first. Follow the instructions for installation.
- Precautions are grouped into "Warning⚠" and "Caution⚠". The "Warning⚠" group includes items that may lead to serious injury or death if not observed. The items included in the "Caution⚠" group also may lead to serious results under certain conditions. Both groups are crucial for safety installation. Read and understand them carefully.
- After installation, conduct the test operation of the device to check for any abnormalities. Describe how to operate the device to the customer following the installation instruction manual. Instruct the customer to keep this installation instruction for future reference.

⚠Warning

- This device should be installed by the dealer where you purchase the device or a licensed professional shop. If the device is incorrectly installed by the customer, it may result in electric shock or fire.
- Install the device carefully following the installation instruction. If the device is incorrectly installed, it may result in electric shock or fire.
- Use the accessory parts and specified parts for installation. If any parts that do not match the specifications are used, it may result in electric shock or fire.
- A person with the electrical service certification should conduct the service based on the "Technical standards for electrical facilities", "Electrical Wiring Code", and the installation instruction. If the work is done incorrectly, it may result in electric shock or fire.
- Wiring should be securely connected using the specified types of wire. No external force on the wire should be applied to any terminals. If a secure connection is not achieved, it may result in electric shock or fire.

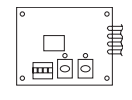
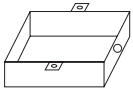
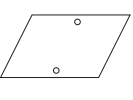
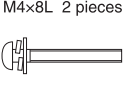
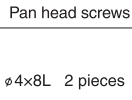
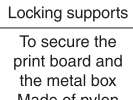
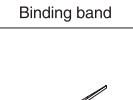
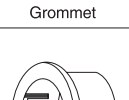
⚠Caution

- Provide ground connection.
The ground line should never be connected to the gas supply piping, the water supply piping, the lightning conductor rod, nor the telephone ground. If the grounding is improper, it may result in electric shock.
- Do not install the device in the following locations.
 1. Where there is mist/spray of oil or steam such as kitchens.
 2. Where there is corrosive gases such as sulfuric acid gas.
 3. Where there is a device generating electromagnetic waves.
These may interfere with the control system resulting in the device becoming uncontrollable.
 4. Where flammable volatile materials such as paint thinner and gasoline may exist or where they are handled. This may cause a fire.

1 Application

Indoor-to-outdoor three core communication specification type 3 (since October 2007)

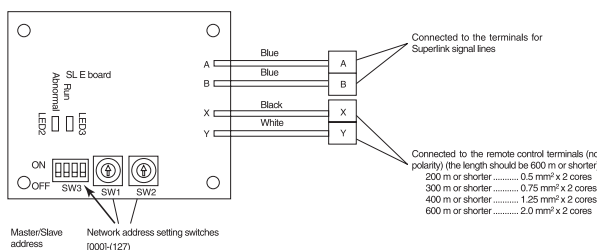
2 Accessories

SL E board 	Metal box 	Metal cover 	Screw for Ground M4x8L 2 pieces 
Pan head screws φ4x8L 2 pieces 	Locking supports To secure the print board and the metal box Made of nylon 4 pieces 	Binding band 	Grommet 

5 Connection Outline

Note for setting the address

- Set the address between 00 and 47 for the previous Superlink connection and between 000 and 127 for the new Superlink connection. (*1)
- Do not set the address overlapping with those of the other devices in the network. (The default is 000)



(*1) Whether the actual link is either the new Superlink or the previous Superlink depends on the models of the connected outdoor and indoor units. Consult the agent or the dealer.

3 Function

Allowing the central control SL1N-E, SL2N-E, and SL4-AE/BE to control and monitor the commercial air-conditioning unit.

4 Control switching

Settings can be changed by the switch SW3 on the SL E board as in the following.

Switch	Symbol	Switch	Remarks
SW3	1	ON	Master
		OFF (default)	Slave
	2	ON	Fixed previous protocol
		OFF (default)	Automatic adjustment of Superlink protocol
	3	ON	Indicates the forced operation stop when abnormality has occurred.
		OFF (default)	Indicates the status of running/stop as it is, when abnormality has occurred.
	4	ON	The hundredth address activated "1"
		OFF (default)	The hundredth address activated "0"

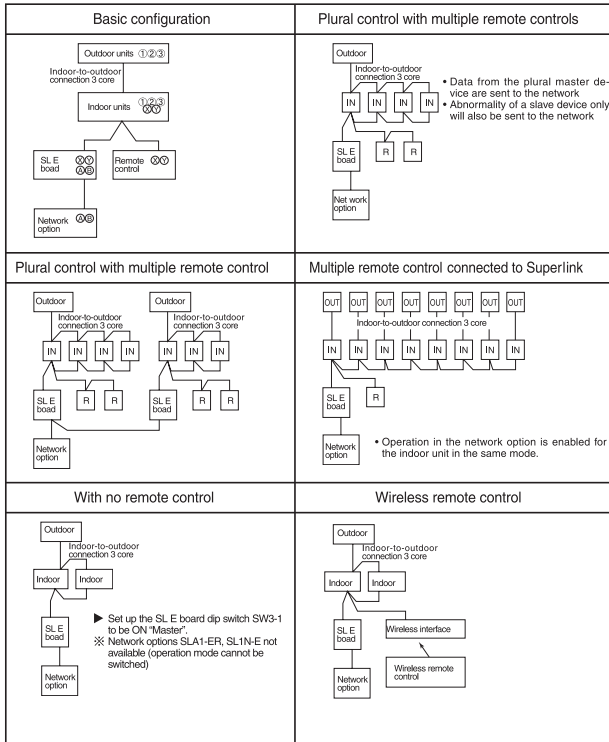
Signal line specification

Communication method	Previous Superlink	New Superlink
Line type	MVVS	MVVS
Line diameter	0.75 - 1.25mm ²	0.75/1.25mm ²
Signal line (total length)	up to 1000m	up to 1500/1000m (*2)
Signal line (maximum length)	up to 1000m	up to 1000m

(*2) Up to 1500 m for 0.75 mm², and up to 1000 m for 1.25 mm². Do not use 2.0 mm². It may cause an error.

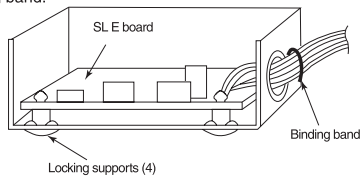
(*3) Connect grounding on both ends of the shielding wire. For the grounding method, refer to the section "6 Installation".

- (1) Set the Superlink network address with SW1 (tens place), SW2 (ones place), and SW3 (hundreds place).
- (2) Set the SL E board SW3-1 to be ON (Master) when using this without any remote control (no wired remote control nor wireless remote control).
- (3) Set up the plural master/slave device using the dip switches on the indoor unit board.
- (4) Set up the remote control master/slave device using the slide switch on the remote control board.
- (5) Set up "0" to "F" using the address rotary switch on the indoor unit board when controlling the indoor unit with the multiple remote control.

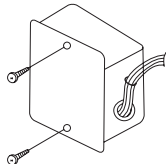


6 Installation

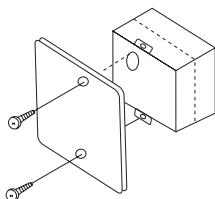
1. When using the metal box (mounted on the indoor unit / mounted on the back of the remote control):
 - (1) Mount the SL E board in the metal box using the locking supports.
 - (2) Wiring should go through the provided grommet since then through the wiring to the hole on the Metal box.
Secure the grommet after inserting the grommet into the Metal box as shown in below figure, then tie the wiring at the outlet of the unit using a binding band.



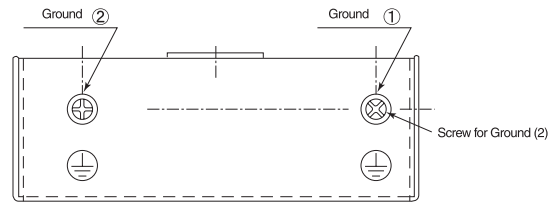
- ▲ When installed outside the indoor unit, put the metal cover on.



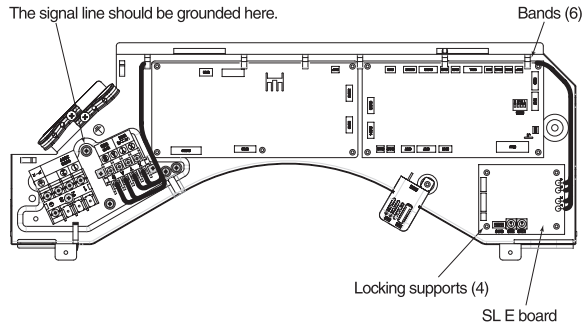
- ▲ When installed on the back of the remote control, mount it directly on the remote control bottom case.



Connect grounding. Connect grounding for the power line to Ground ①, and grounding for the signal line to Ground ② or to the Ground on the indoor unit control box.



2. When connecting to the indoor unit control box (ceiling-concealed type and FDT type only):
 - (1) Mount the SL E board in the control box using the locking supports.
 - (2) Remove 6 bands from the box and put the wiring through the bands to be secured.



Electrical shock hazard! Make sure to turn the power off for servicing. Be cautious so that no abnormal force should be applied to the wiring. Do not let the SL E board hung by the wiring. The board is sensitive to static electricity. Release the static electricity of your body before servicing.
(you can do this by touching the control board which is grounded).

Location of installation

Install the device at the location where there are no electromagnetic waves nor where there is water and dust. The specified temperature range of the device is 0 to 40°C. Install the device at the location where the ambient temperature stays within the range. If it exceeds the specification, make sure to provide solution such as installing a cooling fan. When used outside of the range, it may cause abnormal operation.

7 Indicator display

Check the LED 3 (green) and LED 2 (red) on the SL E board for flashing.

SL E board LEDs		Inspection mode	Display on the integrated network control device
Red	Green		
Off	Flashing	Normal communication	
Off	Off	<ul style="list-style-type: none"> • Disconnection in the remote control communication line (X or Y) • Short-circuit in the remote control communication line (between X and Y) • Faulty indoor unit remote control power • Faulty remote control communication circuit • Faulty CPU on SL E board 	No corresponding unit number
One flash	Flashing	<ul style="list-style-type: none"> • Disconnection in the Superlink signal line (A or B) • Short-circuit in the Superlink signal line (between A and B) • Faulty Superlink signal circuit 	
Two flashes	Flashing	<ul style="list-style-type: none"> • Faulty address setting for the SL E board (Set up the address for previous SL E board : more than 48 new SL E board : more than 128) 	
Three flashes	Flashing	<ul style="list-style-type: none"> • SL E board parent not set up when used without a remote control • Faulty remote control communication circuit 	E1
Four flashes	Flashing	<ul style="list-style-type: none"> • Address overlapping for the SL E board and the Superlink network connected indoor unit 	E2
Off	Flashing	<ul style="list-style-type: none"> • Number of connected devices exceeds the specification for the multiple indoor unit control 	E10

INVERTER MULTI-SPLIT SYSTEM RESIDENTIAL AIR-CONDITIONERS



mitsubishi heavy industries thermal systems, ltd.

16-5 Konan 2-chome, Minato-ku, Tokyo, 108-8215, Japan
<http://www.mhi-mth.co.jp/en/>

Because of our policy of continuous improvement, we reserve the right to make changes in all specifications without notice.

© Copyright MITSUBISHI HEAVY INDUSTRIES THERMAL SYSTEMS, LTD.